



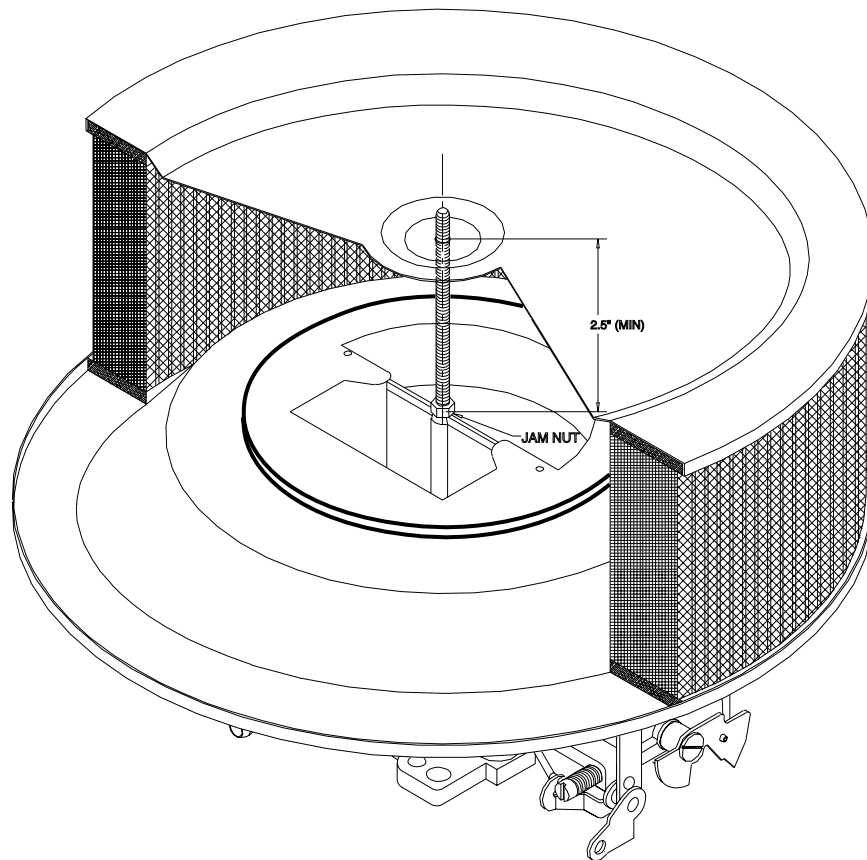
INSTALLATION INSTRUCTIONS

Part Number: 85-0700

EDELBROCK & CARTER SQUARE-BORE STUBSTACK

Congratulations, you have just purchased the latest in airflow technology for your Edelbrock or Carter carburetor. This Dyno-tested K&N Stubstack was designed to increase the airflow of Edelbrock square-bore carburetors, by decreasing the restriction around the choke horn. This decreased restriction can add up to 25cfm to the rating of the carburetor. This is ideal when a carburetor is slightly too small for the engine, but installing a larger carburetor would result in the loss of low rpm torque.

In order to optimize the performance of the stubstack, it is imperative that certain criteria be met. The stubstack must be utilized with an open element K&N air filter. If the air does not flow equally around the entire perimeter of the stubstack, there will be uneven metering signals. The proper size air filter is also vital to the success of the stubstack. The minimum air filter diameter is 11" and the minimum clearance above the stubstack is 2-1/2". The stubstack will fit inside of most aftermarket air cleaner housings and slide snugly down over the the choke horn. The stubstack **must** be held down securely to the carburetor with a jam nut. After the air filter has been properly sized, it will be necessary to recalibrate the fuel circuits on the carburetor to bring the air/fuel ratio into the proper range. A K&N Air/Fuel Monitor is very helpful in measuring the A/F ratio for ease of re-calibration. See the current K&N catalog for more information on Air/Fuel Monitors.



Edelbrock carburetor list numbers for the 85-0700 stubstack

1400 1404 1405 1406 1407 1411