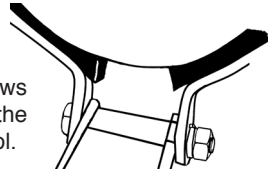


Mounting

The special design of the tachometer base allows for a variety of mounting possibilities. Attach the base using screws provided or use pop rivet tool.



Questions?

If you have questions regarding the operation or installation of your instrument(s), please contact Auto Meter Technical Support at **815-899-0801**.

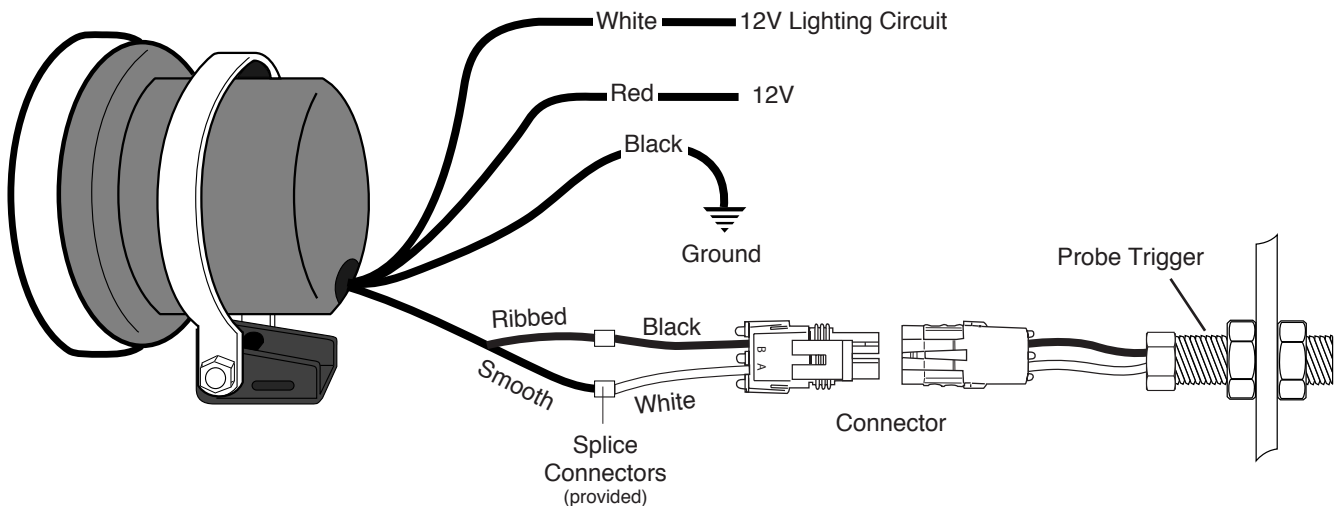
You may also email us at service@autometer.com. Additional information can be found at <http://www.autometer.com>.

Wiring

Connect the tachometer wires as shown here. All wires passing through the firewall should be routed through the rubber grommet provided. If a splice connector is used, be sure to make the connection inside the car's driving compartment.

CAUTION!

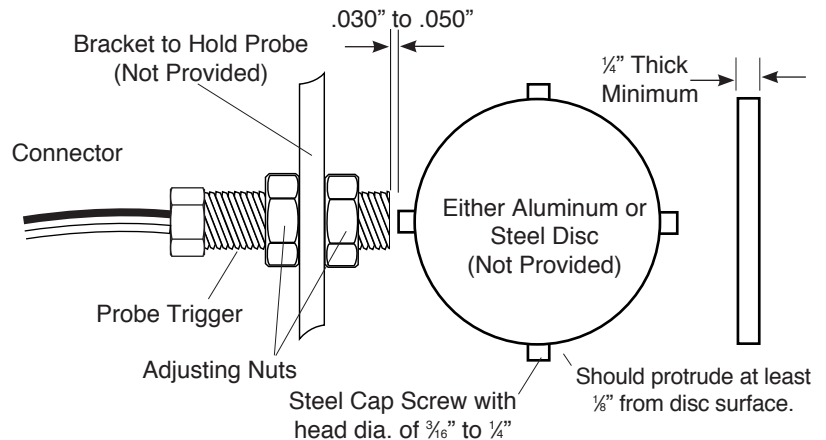
As a safety precaution the Red wire of this product should be fused before connecting it to the positive (+) side of the 12V DC battery. We recommend using a 4 Amp, 3AG fast-acting type cartridge fuse (Littlefuse® # 312 004 or an equivalent) inline with the Red wire of our product.



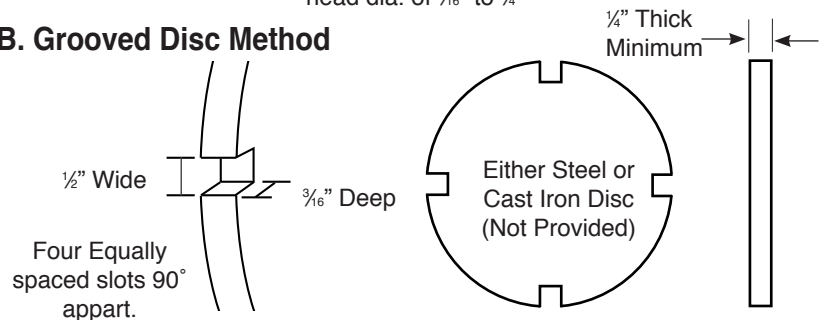
Probe Installation

1. Disconnect the connector from the probe trigger.
2. Insert the threaded end of the probe trigger into a bracket (not provided) and secure it with the two adjusting nuts (provided) as shown.
3. With engine off, screw the probe trigger in until it touches, then back off $\frac{1}{2}$ to $\frac{3}{4}$ turn, leaving a $.030''$ to $.050''$ gap between the end of the trigger and the disc or screw. Carefully tighten the adjusting nuts, taking care not to allow the probe trigger to turn.
4. Reattach the connector to the probe trigger.

A. Raised Screw Head Disc Method

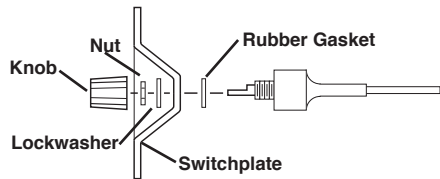


B. Grooved Disc Method

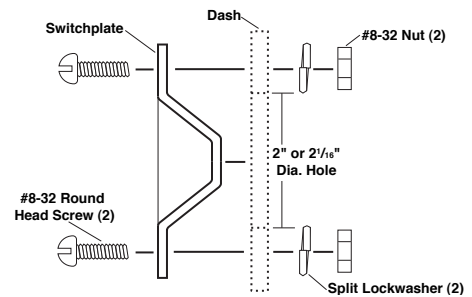


Mounting Memory Switch

Mounting Switch to Switchplate



Mounting Switch to Dash



Operating Memory Feature

Memory tachometers record the highest RPM reached during each race. Recall your RPM using dash mounted remote memory switch. Operate switch as shown here.

Use As Tach

Race with the switch in "TACH" position.

The tach will function as normal to monitor engine RPM.

Recall RPM

Switch to "RECALL" to display peak RPM.

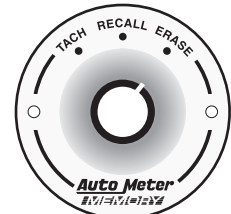
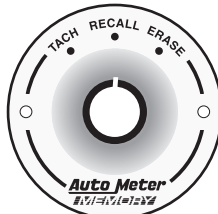
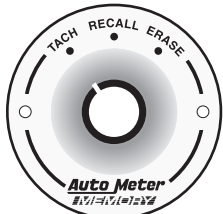
This can be done during or after a race. To clear for next race, see Erase Memory step.

IMPORTANT: See Powering Your Tach Below.

Erase Memory

Switch to "ERASE" mode before each race.

This clears previous runs from the memory. Recording will begin when switch is returned to TACH mode.

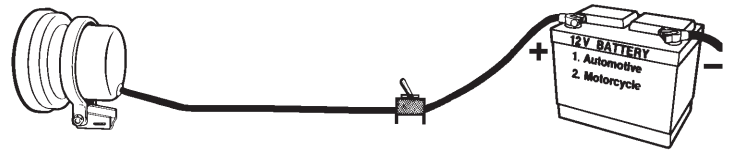


Powering Your Tach

12 volt power must be supplied to the tach to maintain the memory function. Power can come from a battery with a tach on/off switch.

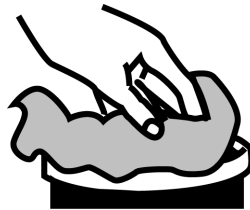
CAUTION!

As a safety precaution the Red wire of this product should be fused before connecting it to the positive (+) side of the 12V DC battery. We recommend using a 4 Amp, 3AG fast-acting type cartridge fuse (Littlefuse® # 312 004 or an equivalent) inline with the Red wire of our product.



Lens Cleaning

The clear lens on your tachometer is made of acrylic plastic. To prevent scratching, caution must be used when cleaning. Use a mild soapy solution and soft cloth to clean. Wipe lightly.



SERVICE

For service send your product to Auto Meter in a well packed shipping carton. Please include a note explaining what the problem is along with your phone number. Please specify when you need the product back. If you need it back immediately mark the outside of the box "RUSH REPAIR," and Auto Meter will service product within two days after receiving it. (\$10.00 charge will be added to the cost of "RUSH REPAIR.") If you are sending product back for Warranty adjustment, you must include a copy (or original) of your sales receipt from the place of purchase.

12 MONTH LIMITED WARRANTY

Auto Meter Products, Inc. warrants to the consumer that all Auto Meter High Performance products will be free from defects in material and workmanship for a period of twelve (12) months from date of the original purchase. Products that fail within this 12 month warranty period will be repaired or replaced at Auto Meter's option to the consumer, when it is determined by Auto Meter Products, Inc. that the product failed due to defects in material or workmanship. This warranty is limited to the repair or replacement of parts in the Auto Meter instruments. In no event shall this warranty exceed the original purchase price of the Auto Meter instruments nor shall Auto Meter Products, Inc. be responsible for special, incidental or consequential damages or costs incurred due to the failure of this product. Warranty claims to Auto Meter must be transportation prepaid and accompanied with dated proof of purchase. This warranty applies only to the original purchaser of product and is non-transferable. All implied warranties shall be limited in duration to the said 12 month warranty period. Breaking the instrument seal, improper use or installation, accident, water damage, abuse, unauthorized repairs or alterations voids this warranty. Auto Meter Products, Inc. disclaims any liability for consequential damages due to breach of any written or implied warranty on all products manufactured by Auto Meter.

FOR SERVICE SEND TO: **AUTO METER PRODUCTS, INC.** 413 W. Elm St., Sycamore, IL 60178 USA (815) 899-0801

Email us at service@autometer.com