

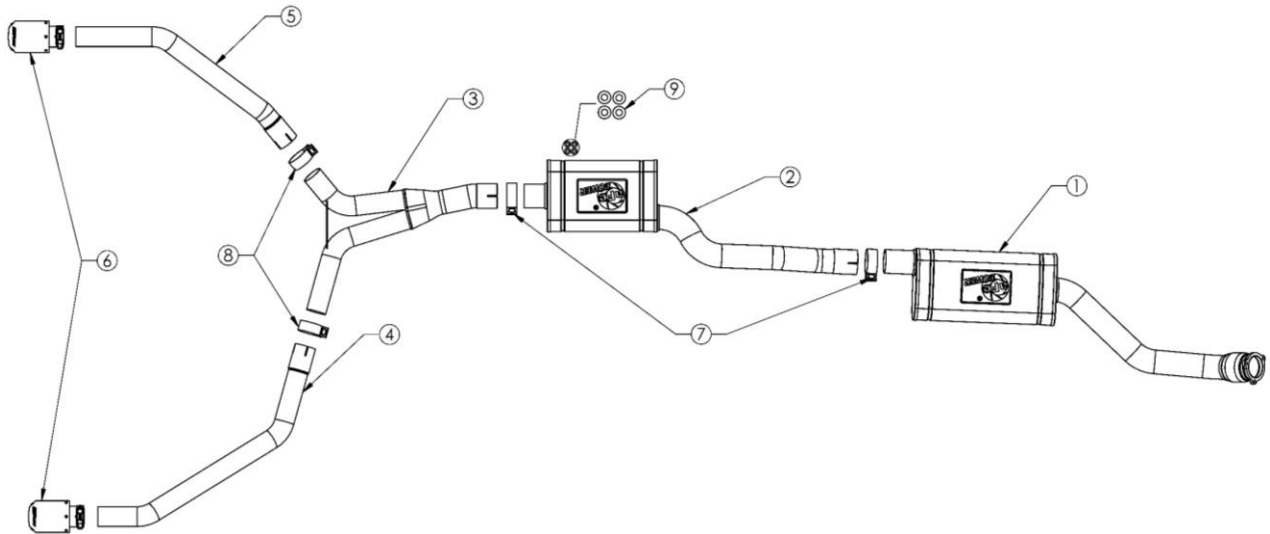


INSTALLATION INSTRUCTIONS

Cat-Back Exhaust

MAKE: Audi
MODEL: allroad
YEAR: 2013-2016
ENGINE: L4-2.0(t)

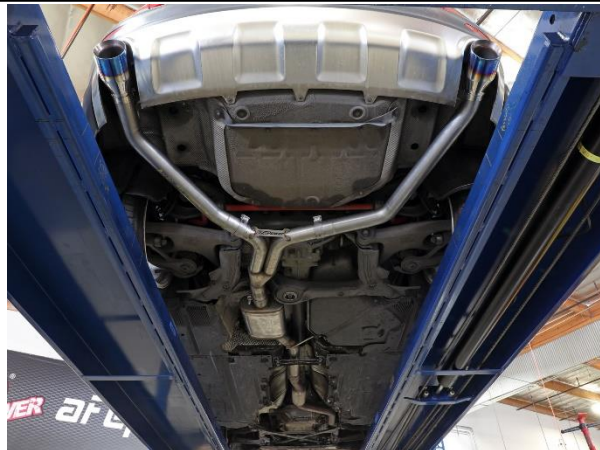
49-36438-P
 49-36438-B
 49-36438-L
 49-36438-C



| Item | Description | Part Number | Quantity |
|------|--|---------------|----------|
| 1 | Front Pipe | 05-245125 | 1 |
| 2 | Mid-Pipe | 05-245141 | 1 |
| 3 | Y-Pipe | 05-245139 | 1 |
| 4 | Passenger Side Tail Pipe | 05-245140 | 1 |
| 5 | Driver Side Tail Pipe | 05-245104 | 1 |
| 5 | EXH Tip 2-1/2 In x 4 Out x 7L Bolt-On Pol | 49T25404-P06 | 2 |
| 5 | EXH Tip 2-1/2 In x 4 Out x 7L Bolt-On Blk | 49T25404-B06 | 2 |
| 5 | EXH Tip 2-1/2 In x 4 Out x 7L Bolt-On Blue | 49T25404-L071 | 2 |
| 6 | EXH Tip 2-1/2 In x 4 Out x 7L Bolt-On CF | 49T25404-C07 | 2 |
| 7 | Clamp, Band: 3" | 05-41055 | 2 |
| 8 | Clamp, Band: 2-1/2" | 05-41061 | 2 |
| 9 | Spacers | 05-46058 | 4 |

aFe POWER recommends professional installation on this product. Thoroughly inspect the aFe POWER exhaust system to make sure there is no damage from shipping (if damage is noted, immediately contact aFe POWER customer service). Allow time for your vehicle to cool down prior to installation. When working on your vehicle proceed with caution. Wear protective safety equipment; eye goggles and gloves to ensure a safe installation.

Install band clamps to proper torque specifications of 40-45 ft-lb.





INSTALLATION INSTRUCTIONS

MAKE: Audi
MODEL: allroad
YEAR: 2013-2016
ENGINE: L4-2.0(t)

Cat-Back Exhaust

49-36438-P
49-36438-B
49-36438-L
49-36438-C

1. **(Read instructions prior to installation.)** It is recommended to not fully tighten the exhaust until it has been fully installed. Leave loose for adjustability.
2. Secure vehicle on jack stands (refer to your manual for specified jack stand positions).
3. For faster installation, spread out the parts of the exhaust alongside your vehicle as shown in the diagram above.
4. Secure the stock exhaust with jack/stands.
5. Loosen 13mm (x2) bolts on sleeve clamp.
6. Remove (4) bolts holding the cross member.
7. Loosen 13mm (x3) nuts holding front pipe to the O.E. Downpipe.
8. Slide hangers off the O.E. rubber mount isolators.
9. Remove rear O.E. exhaust system from vehicle.
10. Remove the O.E Front pipe from vehicle.
11. Install aFe Power Front Pipe using O.E. hardware and gasket.
12. Slide aFe Power Mid-Pipe into the front-pipe and secure with provided 3" band clamp. Install hangers into O.E. rubber mount isolators.
13. Slide aFe Power Y-Pipe into the mid-pipe and secure with provided 3" band clamp. Insert hangers into
14. Slide aFe Power Passenger Tail Pipe into the y-pipe and secure with provided 2.5" Band clamp. Install hangers into O.E. rubber mount isolators.
15. Slide aFe Power Driver Tail Pipe into the y-pipe and secure with provided 2.5" Band clamp. Install hangers into O.E. rubber mount isolators.
16. Re-install cross member using the provided spacers, (to provide clearance for mid-pipe).
17. Install aFe power exhaust tips.
18. Ensure that all the components of the aFe POWER exhaust system are aligned and are at a safe clearance from all wires, hoses, brake lines, body parts, and tires.
19. Start from the front of the aFe exhaust system and evenly tighten all clamps and fasteners.
20. Start the vehicle and check for any leaks. If any leaks are found, determine cause and repair as necessary.
21. Remove vehicle from jacks stands.
22. It is recommended to re-tighten all clamps and hardware after 50-100 miles.