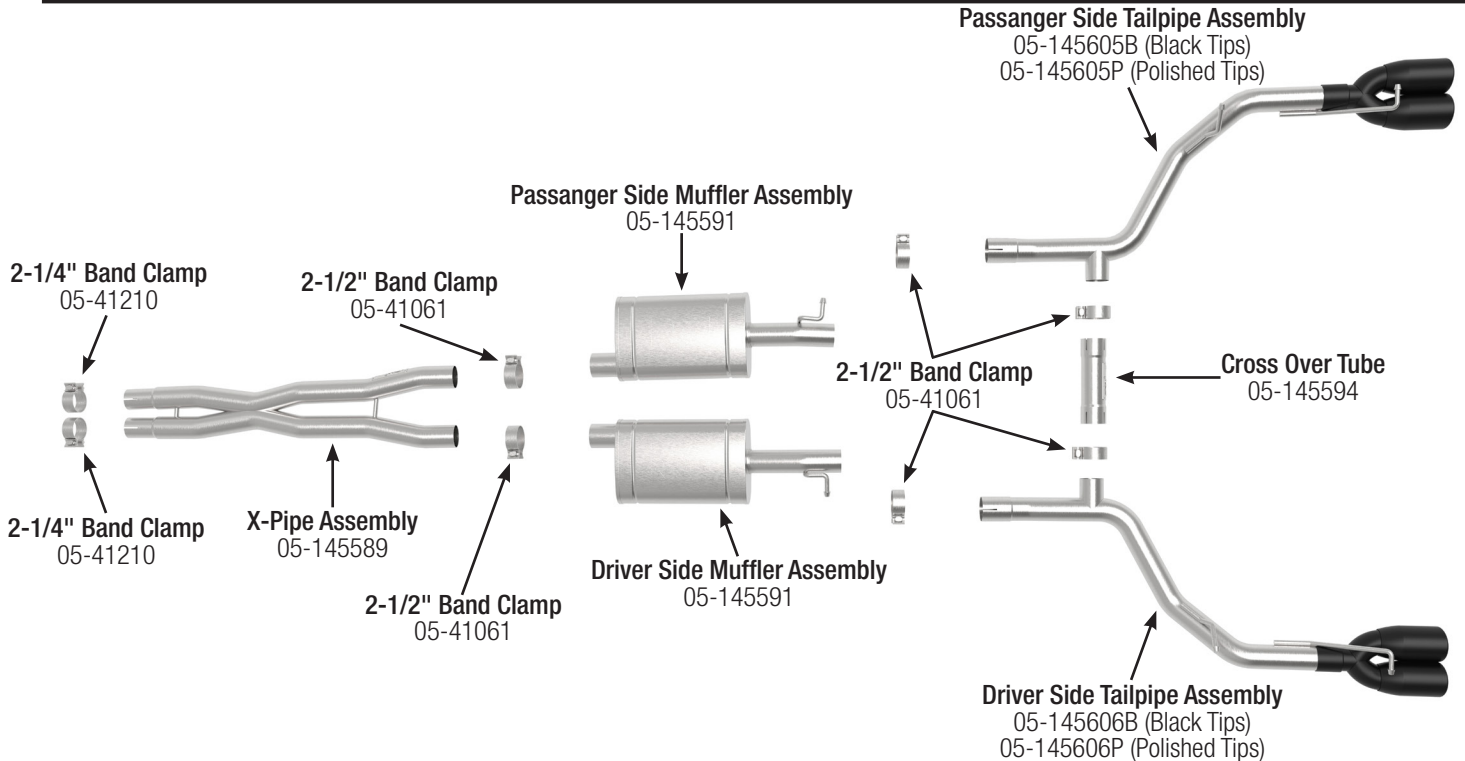




## INSTALLATION INSTRUCTIONS

**MAKE:** Dodge  
**MODEL:** Challenger SXT / GT  
**YEAR:** 2015 - 2020  
**ENGINE:** V6-3.6L

**Cat-Back Exhaust**  
49-32067-B (Black Tips)  
49-32067-P (Polished Tips)



**Caution:** aFe recommends professional installation on our products. Allow time for your vehicle to cool down prior to installation. When working on or under your vehicle proceed with caution. Exhaust systems reach high temperatures and may cause serious burns. Wear protective safety equipment; eye goggles and gloves to ensure a safe installation.

- Step 1:** (Read instruction prior to installation). Properly support your (refer to your owner's manual for specific jack stand positions.)
- Step 2:** For faster installation spread the pieces of the exhaust alongside your vehicle as shown in the diagram.
- Step 3:** Disconnect the battery.
- Step 4:** Disconnect the factory ground strap from the muffler hanger on the rear of the OE exhaust system.
- Step 5:** Unbolt the driver side muffler at the first flanged joint remove the rubber isolation mounting brackets from the chassis and remove the OE muffler.
- Step 6:** Loosen the band clamps on the OE exhaust system to connection pipes.
- Step 7:** Remove the rubber isolation mounting brackets from the chassis and remove the OE exhaust system.
- Step 8:** Remove the factory tips from the bumper.
- Step 9:** Slide the 2-1/4" band clamps on the aFe X-pipe inlets and install X-pipe onto the OE connection pipes, do not tighten the clamps.
- Step 10:** Remove the rubber isolation mounts from the OE exhaust and reinstall them onto the aFe muffler assembly.
- Step 11:** Using (x2) supplied 2-1/2" band clamps, Install the aFe right and left muffler assembly onto the aFe X-pipe, do not tighten.
- Step 12:** Slide the (x2) 2-1/2" band clamps onto the right and left aFe tips tailpipe inlets, slide the 2-1/2" band clamps onto the ends of the cross over tube and slide it onto the aFe tail pipes, do not tighten.
- Step 13:** Using (x2) supplied 2-1/2" band clamps, Install the aFe right and left tips tail pipe assembly onto the aFe muffler assembly, do not tighten.
- Step 14:** Reinstall the rubber isolation mounts to the chassis and tighten.
- Step 15:** Adjust the aFe power exhaust system for proper alignment and clearance and tighten all band clamps.
- Step 16:** Double check all work and ensure everything is tight.
- Step 17:** Reconnect the battery.
- Step 18:** Reconnect the factory ground strap to the muffler hanger on the rear of the exhaust system.
- Step 19:** Start the vehicle and check for exhaust leaks.
- Step 20:** Remove the vehicle from the jack stands.
- Step 21:** Congratulations your exhaust is now complete it is recommended to re-tighten all clamps and hardware 50-100 miles after installation.