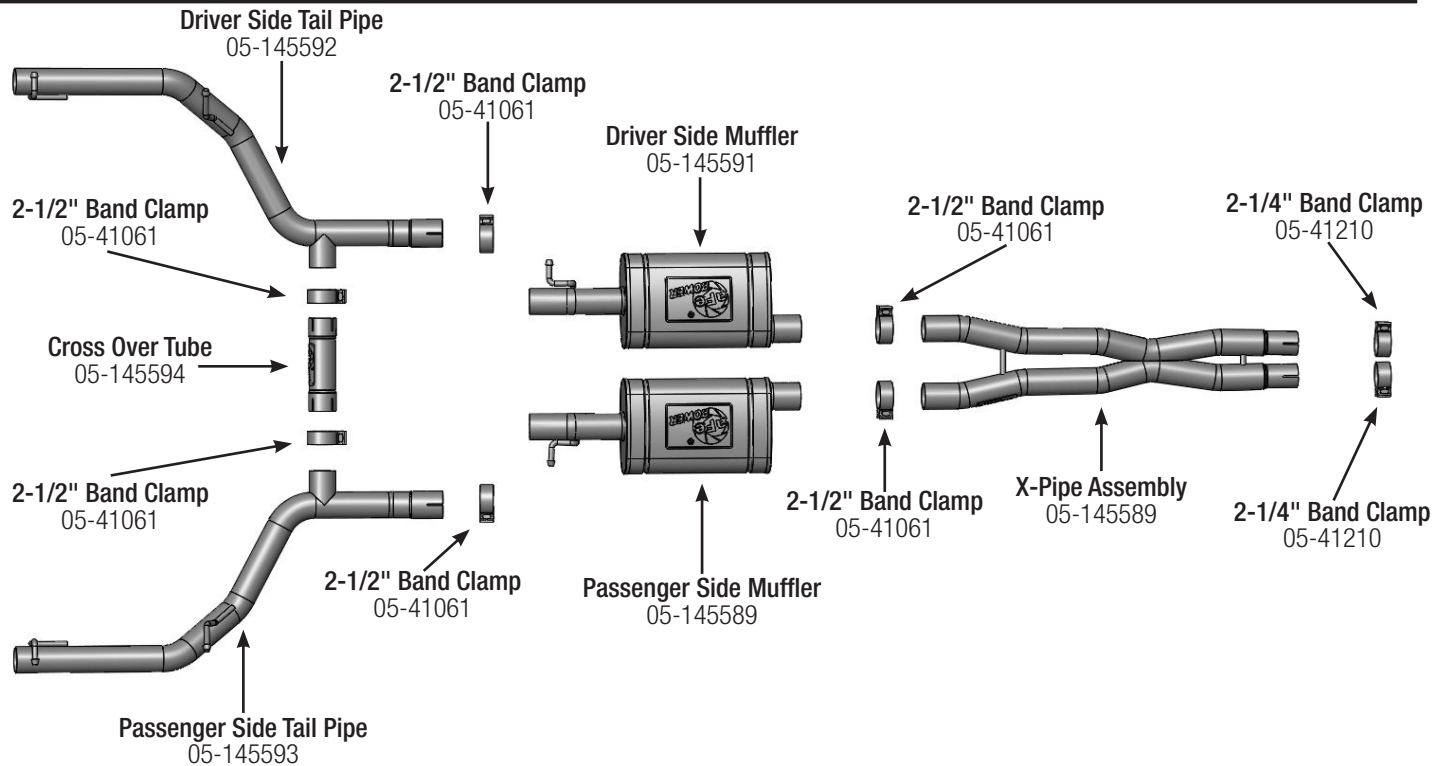




INSTALLATION INSTRUCTIONS

MAKE: Dodge
MODEL: Challenger SXT / GT
YEAR: 2015 - 2020
ENGINE: V6-3.6L

Cat-Back Exhaust
49-32067



Caution: aFe recommends professional installation on our products. Allow time for your vehicle to cool down prior to installation. When working on or under your vehicle proceed with caution. Exhaust systems reach high temperatures and may cause serious burns. Wear protective safety equipment; eye goggles and gloves to ensure a safe installation.

- Step 1:** **(Read instruction prior to installation).** Properly support your stock exhaust system (refer to your owner's manual for specific jack stand positions.) (Note: it is recommended to not fully tighten all band clamps until the entire system has been installed.)
- Step 2:** For faster installation spread the pieces of the exhaust alongside your vehicle as shown in the diagram shown.
- Step 3:** Disconnect the battery.
- Step 4:** Disconnect the factory ground strap from the muffler hanger on the rear of the OE exhaust system.
- Step 5:** Unbolt the driver side muffler at the first flanged joint remove the rubber isolation mounting brackets from the chassis and remove the OE muffler.
- Step 6:** Loosen the band clamps on the OE exhaust system to connection pipes.
- Step 7:** Remove the rubber isolation mounting brackets from the chassis and remove the OE exhaust system.
- Step 8:** Slide the 2-1/4" band clamps on the aFe X-pipe inlets and install X-pipe onto the OE connection pipes, do not tighten the clamps.
- Step 9:** Remove the rubber isolation mounts from the OE exhaust and reinstall them onto the aFe cat back system.
- Step 10:** Using (x2) supplied 2-1/2" band clamps, Install the aFe right and left muffler assembly onto the aFe X-pipe, do not tighten.
- Step 11:** Slide the (x2) 2-1/2" band clamps onto the right and left aFe tailpipe inlets, slide the 2-1/2" band clamps onto the ends of the cross over tube and slide it onto the aFe tail pipes, do not tighten.
- Step 12:** Using (x2) supplied 2-1/2" band clamps, Install the aFe right and left tail pipe assembly onto the aFe muffler assembly, do not tighten.
- Step 13:** Reinstall the rubber isolation mounts to the chassis and tighten.
- Step 14:** Adjust the aFe power exhaust system for proper alignment and clearance and tighten all band clamps.
- Step 15:** Double check all work and ensure everything is tight.
- Step 16:** Reconnect the battery.
- Step 17:** Start the vehicle and check for exhaust leaks.
- Step 18:** Remove the vehicle from the jack stands.
- Step 19:** Congratulations your exhaust is now complete it is recommended to re-tighten all clamps and hardware 50-100 miles after installation.