

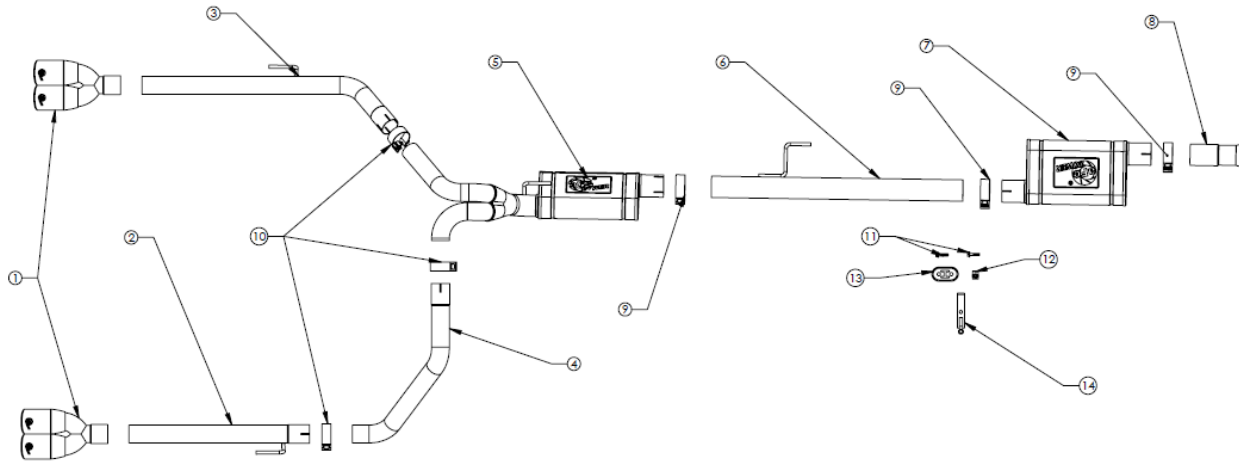


# INSTALLATION INSTRUCTIONS

Cat-Back Exhaust

**MAKE:** Jeep  
**MODEL:** Gladiator  
**YEAR:** 2020  
**ENGINE:** V6-3.6L

49-38084-B  
 49-38084-P



Item	Description	Part Number	Quantity
1	Tip, Exh: 2.5" IN x 3.75" OUT X 12"L (Blk)	R49T25374-B12	2
1	Tip, Exh: 2.5" IN x 3.75" OUT X 12"L (Pol)	R49T25374-P12	2
2	Tail Pipe (Passenger)	05-145780	1
3	Tail Pipe (Driver)	05-145779	1
4	Over Axle Pipe (Passenger)	05-145778	1
5	Rear Muffler Assembly	05-145777	1
6	Mid Pipe	05-145732	1
7	Muffler Assembly	05-145776	1
8	Front Pipe	05-145731	1
9	Clamp, Band: 3"	05-41055	3
10	Clamp, Band: 2.5"	05-46050	3
11	Bolt, Hex Flange	03-50404	2
12	Nut, Clip-on	05-60104	1
13	Exhaust Isolation Mount	05-46050	1
14	Bracket Hanger	05-46404	1
15	Ties, Nylon Cables: 12"	05-60167	4

aFe POWER recommends professional installation on this product. Thoroughly inspect the aFe POWER exhaust system to make sure there is no damage from shipping (if damage is noted, immediately contact aFe POWER customer service). Allow time for your vehicle to cool down prior to installation. When working on your vehicle proceed with caution. Wear protective safety equipment; eye goggles and gloves to ensure a safe installation.

Install band clamps to proper torque specifications of 40-45 ft-lb.





## INSTALLATION INSTRUCTIONS

**MAKE:** Jeep  
**MODEL:** Gladiator  
**YEAR:** 2020  
**ENGINE:** V6-3.6L

**Cat-Back Exhaust**

49-38084-B

49-38084-P

1. **(Read instructions prior to installation.)** It is recommended to not fully tighten the exhaust until it has been fully installed. Leave loose for adjustability.
2. Secure vehicle on jack stands (refer to your manual for specified jack stand positions).
3. For faster installation, spread out the parts of the exhaust alongside your vehicle as shown in the diagram above.
4. Secure the stock exhaust with jack/stands.
5. Remove the spare tire and tire guard. This will allow for clearance to remove the exhaust.
6. Undo the clamp at the front of the stock exhaust and slide back to remove the exhaust in 1 piece.
7. Remove the O.E. ball clamp from the stock exhaust and install onto the aFe POWER front pipe.
8. Install the front pipe onto the O.E. Y-Pipe, then, install the Front Muffler Assembly onto the front pipe.
9. Install the Mid Pipe using the provided 3" band clamp and slide the hanger into the O.E hanger mount.
10. Install the Rear Muffler Assembly using the provided 3" band clamp. Then, slide the hanger into the O.E hanger mount.
11. Unbolt the O.E. rear hanger bracket by removing the (x2) Bolts.
12. Install the Driver's Side Tail Pipe Turn Down using the provided 3" band clamp. Then bolt the O.E hanger bracket back in place using the O.E bolts from step 11.
13. Install the Over-Axle Pipe using the provided 2.5" band clamp.
14. Install the Hanger Bracket 05-46404 using the provided Hardware. (See Photo for reference)
15. Install the Passenger's Side Tail Pipe using the provided 2.5" band clamp and slide the hanger into the provided isolation mount.
16. Install both aFe POWER exhaust tips using the provided 2.5" clamps.
17. Use the provided (x4) zip ties to tie up the rear differential breather tube and any lines that might be close to the exhaust.
18. Ensure that all the components of the aFe POWER exhaust system are aligned and are at a safe clearance from all wires, hoses, brake lines, body parts, and tires.
19. Start from the front of the aFe exhaust system and evenly tighten all clamps and fasteners.
20. Re-install the spare tire guard and the spare tire.
21. Start the vehicle and check for any leaks. If any leaks are found, determine cause and repair as necessary.
22. Remove vehicle from jacks stands.
23. It is recommended to re-tighten all clamps and hardware after 50-100 miles.

