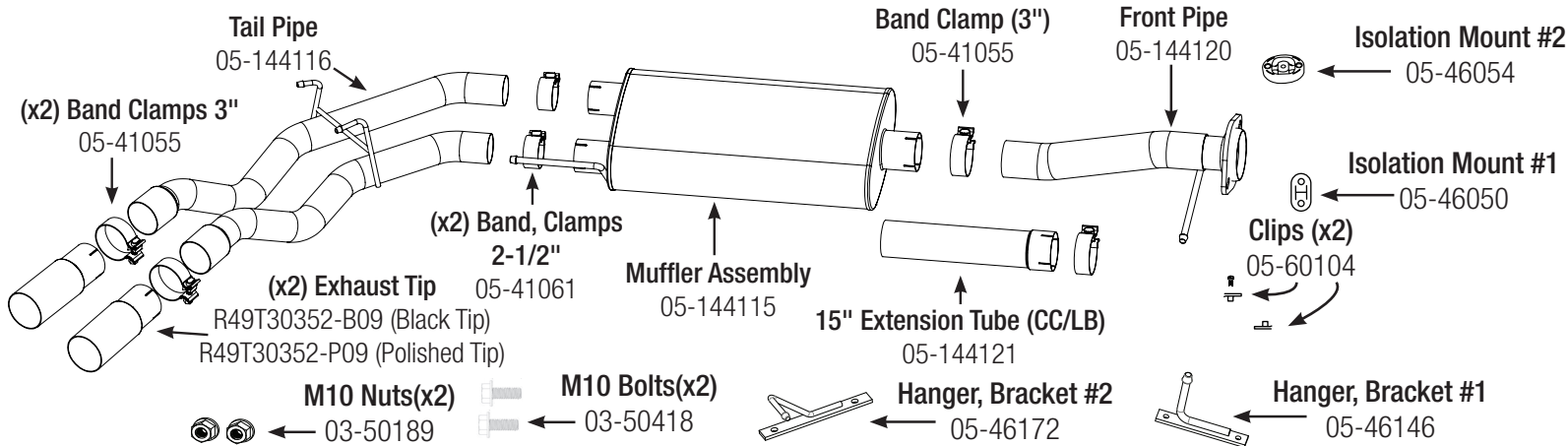




INSTALLATION INSTRUCTIONS

MAKE: Ford
MODEL: F-150 EcoBoost
YEAR: 2011-2014
ENGINE: V6-3.5L (tt)
This Kit Fits: EC/SB, CC/SB (145"WB) & CC/LB(157" WB)

Cat-Back
49-43078-B (Black Tips)
49-43078-P (Polished Tips)



Caution: Allow time for your vehicle to cool down prior to installation. When working on or under your vehicle proceed with caution. Exhaust systems reach high temperatures and may cause serious burns. Wear protective safety equipment; eye goggles and gloves to ensure a safe installation.

- Step 1:** (Read Instructions prior to installation) properly support your stock exhaust system, and remove your stock exhaust up to the catalytic converter from the rear of your truck, working your way forward. Take caution not to damage the factory hardware and isolation mounts. (It is recommended to not fully tighten the clamps until the entire system has been installed.)
- Step 2:** For faster installation spread the pieces of the exhaust alongside of your vehicle according to the diagram shown.
- Step 3:** Start by placing clip-on nuts into frame, as shown on **(figure A)**. The clip-on nuts should slide right in hassle free.



- Step 4:** Now that the clip-on nuts are in place, place Hanger bracket #1 over clip-on nuts and tighten bracket down securely with the proper bolts provided.
- Step 5:** Attach Hanger bracket #2 on right side of OE leaf spring bracket, using the bolts and nuts provided as shown on **(figure B)**.
- Step 6:** Install the front pipe, leaving the Flange bolts slightly loose to move for adjustment.
NOTE: 157" WB CC/LB will need 15" extension pipe added.
- Step 7:** Using a Jack/Stand for support, place the muffler assembly in place, using the OE flange bolts and the M10x1.5 nuts provided. Bolt flanges together but do not fully tighten!
- Step 8:** Spray the holes on OE rubber isolation mount as well as the ones provided with WD-40 to lubricate for easy install of rubber mount. Slip on Rubber mount provided on front hanger of muffler assy. and Hanger bracket #1. Place the OE rubber mount on rear hanger of muffler assy. and slip on to OE hanger.



(Figure B.)

- Step 9:** Place 2.5" band clamps provided over the muffler exits. Insert the rubber isolation mount provided over the tail-pipe hangers, slide it back as far as possible to clear when inserting into hanger bracket #2
- Step 10:** Slip tail-pipes into place with muffler assy. Slide rubber mount into hanger bracket #2
- Step 11:** Place tips into desired position, but do not fully tighten them!
- Step 12:** Align and straighten exhaust and begin to tighten down system beginning at the front flange and working your way back and ending at the tip location.

NOTES:

- aFe recommends that the tailpipe be at least 1/2"-1" away from any body panels to avoid heat related body damage. **Tighten and secure.**
- It is normal for your exhaust system to emit smoke for the first few minutes upon initial start-up.