



# INSTALLATION INSTRUCTIONS

**MAKE:** Ford  
**MODEL:** Super Duty F-250 / F-350  
**YEAR:** 2017-2020  
**ENGINE:** V8-6.7L (td) Power Stroke  
**WHEELBASE:** (141.6") Single Cab/Long Bed; (148") Extended Cab/Short Bed; (164.2") Extended Cab/Long Bed; (176") Crew Cab/Long Bed (159.8") Crew Cab/Short Bed **(NOTE: Does NOT fit 5th wheel tow package models)**

**4" DPF-Back Aluminized**  
**49-03092-B (Black Tips)**  
**49-03092-P (Polished Tips)**  
**4" DPF-Back Stainless Steel**  
**49-43092-B (Black Tips)**  
**49-43092-P (Polished Tips)**

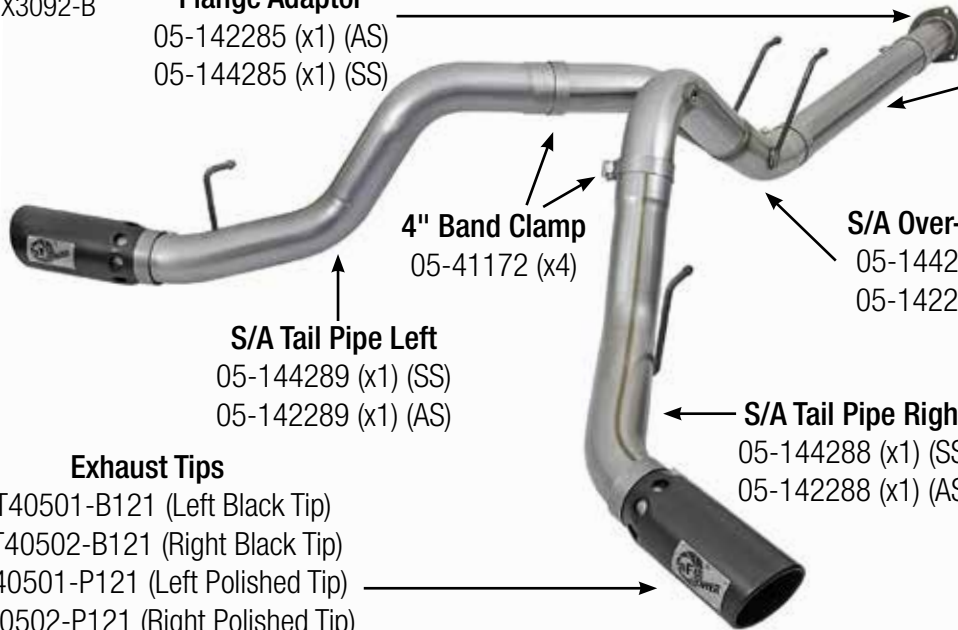
P/N: 49-X3092-B

## Flange Adaptor

05-142285 (x1) (AS)  
 05-144285 (x1) (SS)

## Extension Pipe

05-142286 (x1) (AS)  
 05-144286 (x1) (SS)



**4" Band Clamp**  
 05-41172 (x4)

**S/A Over-Axle Y-Pipe**  
 05-144287 (x1) (SS)  
 05-142287 (x1) (AS)

**Hanger, Bracket**  
 05-46258

**S/A Tail Pipe Left**  
 05-144289 (x1) (SS)  
 05-142289 (x1) (AS)

**S/A Tail Pipe Right**  
 05-144288 (x1) (SS)  
 05-142288 (x1) (AS)



P/N: 49-X3092-P

## Exhaust Tips

- 49T40501-B121 (Left Black Tip)
- 49T40502-B121 (Right Black Tip)
- 49T40501-P121 (Left Polished Tip)
- 49T40502-P121 (Right Polished Tip)

Professional installation is highly recommended. (Read instructions prior to installation). Make sure to always have at least (2) stands or jacks on hand to support the removal of OE system. Also for the installation of aFe system. Any Removal of rubber isolation mounts may require using a spray lubricant such as WD40 and a pry bar.

- Step 1.** Remove The NOx sensor before removing the stock exhaust and stock Extension pipe connected to the rear side of the DPF (DIESEL PARTICULATE FILTER). Be cautious with all factory hardware and flange gasket as they will be reused on aFe Exhaust. We recommended to not fully tighten the any band clamps until the entire system has been installed.
- Step 2.** For faster installation spread the pieces of the exhaust alongside of your vehicle according to the diagram shown.  
**NOTE: Some cutting may be required during install. The measurements listed below will guide you on what to do for every Cab configuration. You will also need to loosen the undercarriage spare tire. Push the spare tire away as far as possible to lean against the heat shield on the right side. This will allow more clearance between left side tube and spare tire from rubbing against each other and avoiding any heat damage to spare tire. Once the clearance has been satisfied tighten the spare tire back up.**
- SC/LB 8'ft box (141.6" WB)... Trim Flange adaptor 05-14x285 (approx. 4" off) No extension pipe needed.
  - EC/SB 6.75'ft box (148" WB)... install Flange adaptor only, No trimming or extension pipe needed.
  - EC/LB 8'ft box (164.2" WB)... install Flange adaptor + Trim extension pipe to 19" long.
  - CC/SB 6.75'ft box (159.8" WB)... install Flange adaptor + Trim extension pipe down to 15" long.
  - CC/LB 8'ft box (176" WB)... install Flange adaptor, extension pipe (No cutting required).
- Step 3.** Tighten down bolts on 3 hole flange adaptor connected with Diesel Particulate Filter (DPF). Before moving forward, now install (OVER-AXLE Y-PIPE) onto to mid-pipe. Slip Hangers in OE rubber Isolation mounts.
- Step 4.** Install (RIGHT, TAIL-PIPE) into position, Slip Hanger in OE rubber Isolation mount. Removing the OE hanger, mount off, maybe necessary to easily slip hanger in. Then bolt hanger mount back on.



(Figure A)



(Figure B)

- Step 5:** Place right side tip at desired position with aFe badge logo facing the rear of truck. Slightly tighten tip.
- Step 6:** Before installing Left Tail-Pipe, remove stock Bolts to Install (HANGER BRACKET 05-46258) Using the same Stock hardware Tighten the bracket in place. As shown on photos.
- Step 7:** Install (LEFT, TAIL-PIPE) into position. Slip tube hanger into the rubber Isolation mount provided.
- Step 8:** Place left side tip at desired position with aFe badge logo facing the rear of truck. Slightly tighten tip.
- Step 9:** Make sure everything is aligned straight and begin to tighten down all 4" band clamps beginning at the front of the exhaust and working toward the rear.
- Step 10.** Exhaust install is now complete. Check for any exhaust leaks after turning vehicle on. After 50-100 miles check for clearance around spare tire also check zip-ties, heat wrap. Re-tighten band clamps if necessary.

**Caution:** Allow time for your vehicle to cool down prior to installation. When working on or under your vehicle proceed with caution. Exhaust systems reach high temperatures and may cause serious burns. Wear protective safety equipment; eye goggles and gloves to ensure a safe installation. **aFe recommends professional installation on our products.**