



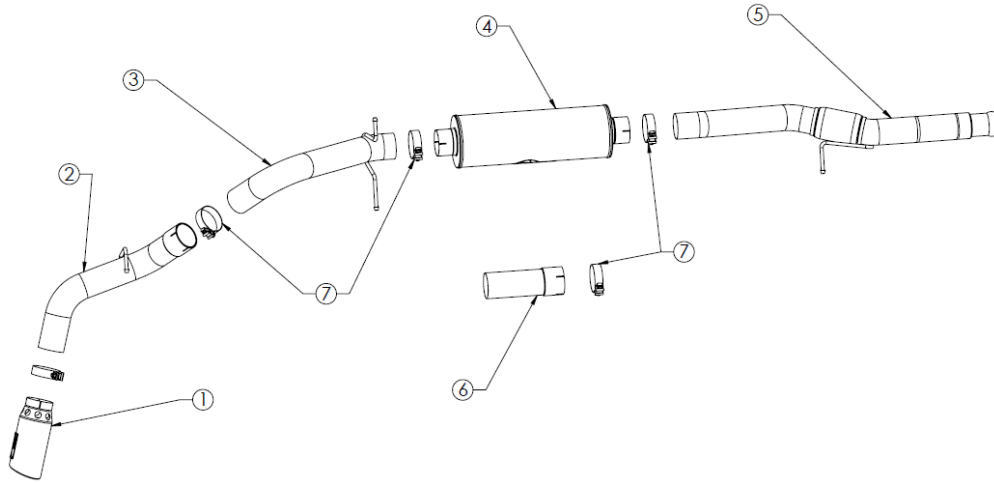
INSTALLATION INSTRUCTIONS

Cat-Back Exhaust

MAKE: GM
MODEL: Silverado/Sierra 1500
YEAR: 2014-2018
ENGINE: V8-6.2L

49-44116-B
 49-44116-P

NOTE: WILL FIT CREW-CAB/SHORT-BED & CREW-CAB/LONG-BED & EXTENDED-CAB/LONG-BED



Item	Description	Part Number	Quantity
1	EXH Tip 4 In x 5 Out x 12L Bolt-On Right Black	49T40501-B121	1
1	EXH Tip 4 In x 5 Out x 12L Bolt-On Right Polished	49T40501-P121	1
2	Tail Pipe Assembly	05-144854	1
3	Over Axle Assembly	05-144853	1
4	EXH Muffler SS 4 In/Out x 8 Dia,	49-91002	1
5	Front Pipe Assembly	05-144852	1
6	Extension Pipe, 4"	05-144855	1
7	Clamp, Band: 4"	05-41042	4

aFe POWER recommends professional installation on this product. Thoroughly inspect the aFe POWER exhaust system to make sure there is no damage from shipping (if damage is noted, immediately contact aFe POWER customer service). Allow time for your vehicle to cool down prior to installation. When working on your vehicle proceed with caution. Wear protective safety equipment; eye goggles and gloves to ensure a safe installation.

Install band clamps to proper torque specifications of 40-45 ft-lb.





INSTALLATION INSTRUCTIONS

MAKE: GM
MODEL: Silverado/Sierra 1500
YEAR: 2014-2018
ENGINE: V8-6.2L

Cat-Back Exhaust

49-44116-B

49-44116-P

NOTE: WILL FIT CREW-CAB/SHORT-BED & CREW-CAB/LONG-BED & EXTENDED-CAB/LONG-BED

1. **(Read instructions prior to installation.)** It is recommended to not fully tighten the exhaust until it has been fully installed. Leave loose for adjustability.
2. Secure vehicle on jack stands (refer to your manual for specified jack stand positions).
3. For faster installation, spread out the parts of the exhaust alongside your vehicle as shown in the diagram above.
4. Secure the stock exhaust with jack/stands.
5. Remove the stock exhaust up to the back of the Y-Pipe.
6. Remove the O.E. ball clamp from the O.E. exhaust and re-install onto the aFe POWER Front Pipe.
7. Install the front Pipe onto the O.E. Y-Pipe and slide the hanger into the O.E hanger mount.
8. Install the Extension Pipe for the Crew Cab Long Bed using the provided 4" band clamp. For the other cab configurations the Extension Pipe is not needed.
9. Install the Muffler using the provided 4" band clamps.
10. Install the Over-Axle Pipe using the provided 4" band clamp and slide the hangers into the O.E. hanger mounts.
11. Install the Tail Pipe and Tip using the provided 4" band clamps. Adjust Tail Pipe and tip to desired position.
12. Ensure that all the components of the aFe POWER exhaust system are aligned and are at a safe clearance from all wires, hoses, brake lines, body parts, and tires.
13. Start from the front of the aFe exhaust system and evenly tighten all clamps and fasteners.
14. Start the vehicle and check for any leaks. If any leaks are found, determine cause and repair as necessary.
15. Remove vehicle from jack stands.
16. It is recommended to re-tighten all clamps and hardware after 50-100 miles.