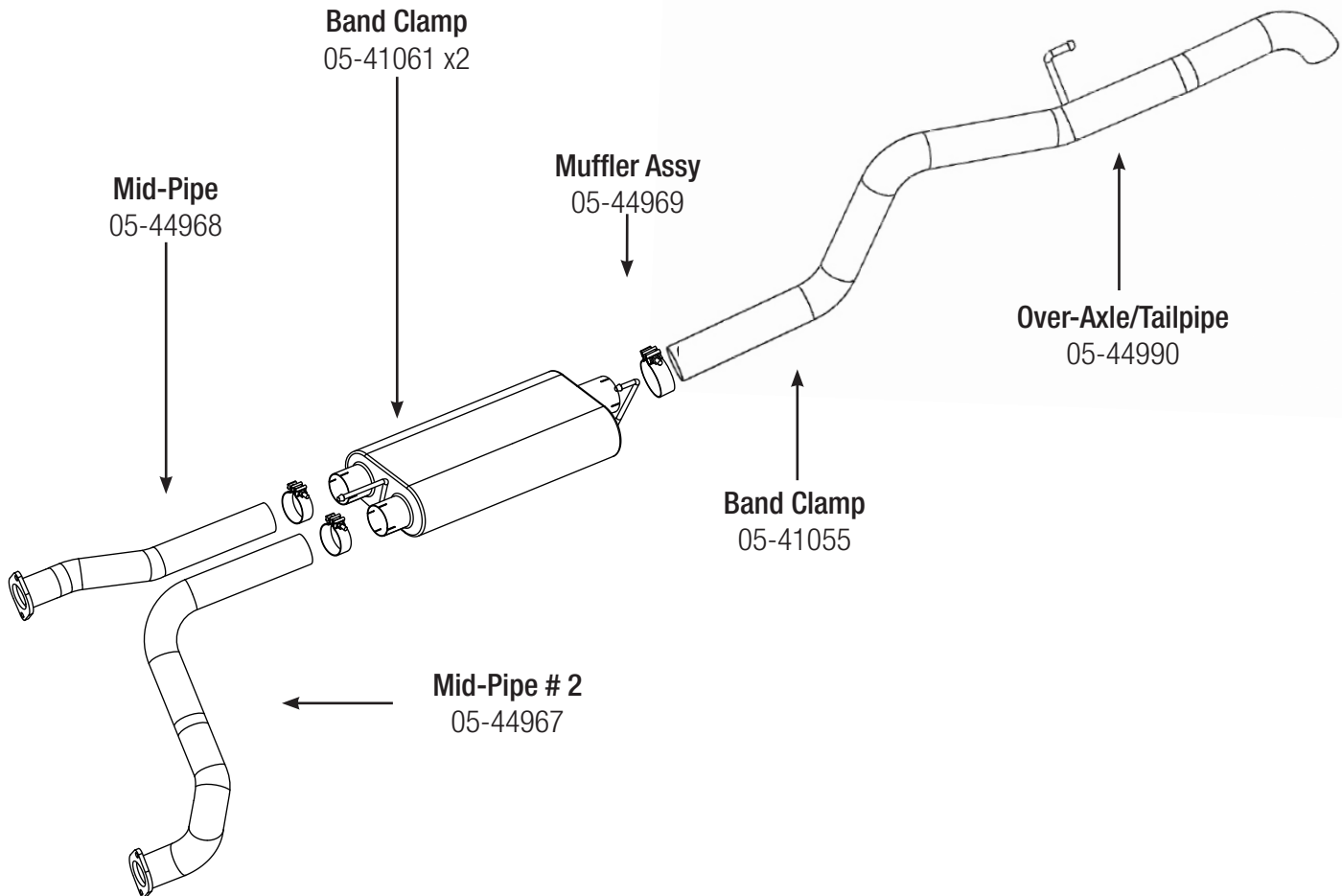




INSTALLATION INSTRUCTIONS

MAKE: Nissan
MODEL: Frontier
YEAR: 2005-2019
ENGINE: V6-4.0L
WHEELBASE: CC/SB

**3" Hi-Tuck
49-46104**



Step 1: Read Instructions prior to installation.

Step 2: Secure vehicle on jack stands (refer to your manual for specified jack stand positions.)

Step 3: Remove (x3) bolts securing tail/over axle hanger rod bracket from chassis.

Step 4: Loosen band clamp connecting muffler to tail/over axle pipe and remove tail/over axle pipe from vehicle.

Step 5: Unbolt (x2) bolts from front muffler hanger rod bracket and remove from chassis.

Step 6: Unbolt (x4) nuts from mid pipe flanges to the catalytic converters. Move ground strap out of the way.

Step 7: Remove OE mid pipe and muffler section by sliding towards rear of vehicle.

Step 8: Reinstall muffler front hanger rod bracket using (x2) OE bolts to the chassis. Tighten bolts.

Step 9: Install passenger aFe Power mid pipe by sliding hanger rod through rubber isolation mount. Use (x2) OE nuts to secure passenger side mid pipe to catalytic converter. (Leave nuts loose at this time.)

Step 10: Install driver side aFe Power mid pipe using (x2) OE nuts. (Leave nuts loose at this time.)

Step 11: Install (x2) supplied 2.5" band clamps on aFe Power muffler. Slide muffler rear hanger rod through rubber isolation mount and slide over left and right mid pipes. (Do not tighten band clamps at this time.)

Step 12: Note the orientation and remove tail/ over axle hanger rod bracket from OE tail pipe and install on aFe Power tail/over axle pipe.

Step 13: Install supplied 3" band clamp onto aFe Power tail/over axle pipe and slide over muffler outlet. Line up hanger rod bracket and tighten to chassis using (x3) OE bolts. (Do not tighten 3" band clamp at this time.)

Step 14: Adjust exhaust, slide ground strap back on the driver side lower flange stud. Tighten (x4) nuts on mid pipe to catalytic converter flanges.

Step 15: Adjust muffler section and tighten (x2) 2.5" band clamps.

Step 16: Adjust tail/ over axle pipe and tighten 3.0" band clamp.

Step 17: Recheck all work and make sure everything is tight and clearance is good.

Step 18: Remove vehicle from jack stands.

NOTES:

- aFe recommends that the tailpipe be at least 1/2"-1" away from any body panels to avoid heat related body damage. **Tighten and secure.**

Caution: Allow time for your vehicle to cool down prior to installation. When working on or under your vehicle proceed with caution. Exhaust systems reach high temperatures and may cause serious burns. Wear protective safety equipment; eye goggles and gloves to ensure a safe installation. **aFe recommends professional installation on our products.**