



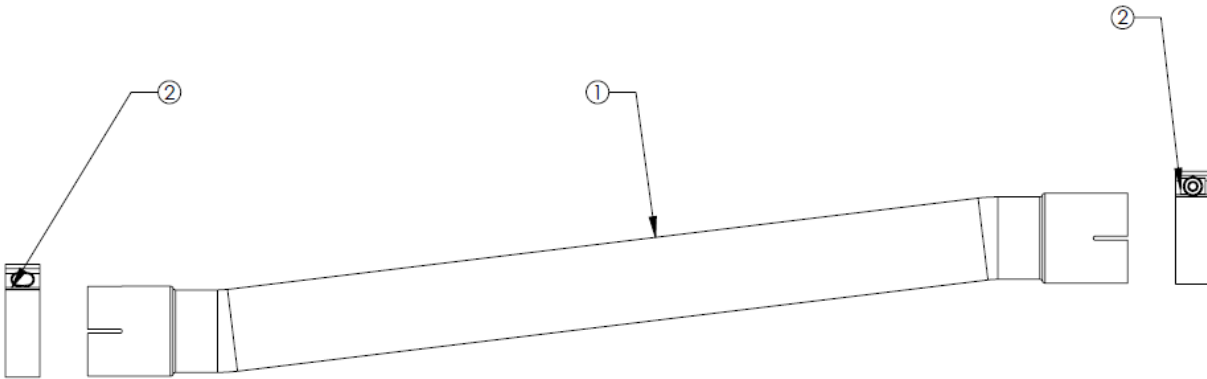
INSTALLATION INSTRUCTIONS

Muffler Delete Exhaust

MAKE: GM
MODEL: Silverado
YEAR: 2019-2020
ENGINE: V8-6.2L

49C44114NM

NOTE: Only fits the V8-6.2L



Item	Description	Part Number	Quantity
1	Muffler Delete Pipe	05-144764	1
2	Clamp, Band: 3"	05-41055	2

aFe POWER recommends professional installation on this product. Thoroughly inspect the aFe POWER exhaust system to make sure there is no damage from shipping (if damage is noted, immediately contact aFe POWER customer service). Allow time for your vehicle to cool down prior to installation. When working on your vehicle proceed with caution. Wear protective safety equipment; eye goggles and gloves to ensure a safe installation.

Install band clamps to proper torque specifications of 40-45 ft-lb.





INSTALLATION INSTRUCTIONS

MAKE: GM
MODEL: Silverado
YEAR: 2019-2020
ENGINE: V8-6.2L

Muffler Delete Exhaust
49C44114NM

NOTE: Only fits the V8-6.2L

1. **(Read instructions prior to installation.)** It is recommended to not fully tighten the exhaust until it has been fully installed. Leave loose for adjustability.
2. Secure vehicle on jack stands (refer to your manual for specified jack stand positions).
3. For faster installation, spread out the parts of the exhaust alongside your vehicle as shown in the diagram above.
4. Secure the stock exhaust with jack/stands.
5. This system will require cutting of the O.E Exhaust.
6. Using a marker, scribe a line at the front of the muffler as close as you can to the muffler as shown in photo 2.
7. Scribe a second line directly behind the rear valve as shown in photo 3.
8. Cut exhaust system at both lines and remove the O.E. muffler.
9. Now remove the back half of the O.E exhaust.
10. Install the aFe POWER Muffler Delete Pipe using the provided band clamps.
11. Re-install the back half of the O.E. exhaust
12. Ensure that all the components of the aFe POWER exhaust system are aligned and are at a safe clearance from all wires, hoses, brake lines, body parts, and tires.
13. Start from the front of the aFe exhaust system and evenly tighten all clamps and fasteners.
14. Start the vehicle and check for any leaks. If any leaks are found, determine cause and repair as necessary.
15. Remove vehicle from jack stands.
16. It is recommended to re-tighten all clamps and hardware after 50-100 miles.

