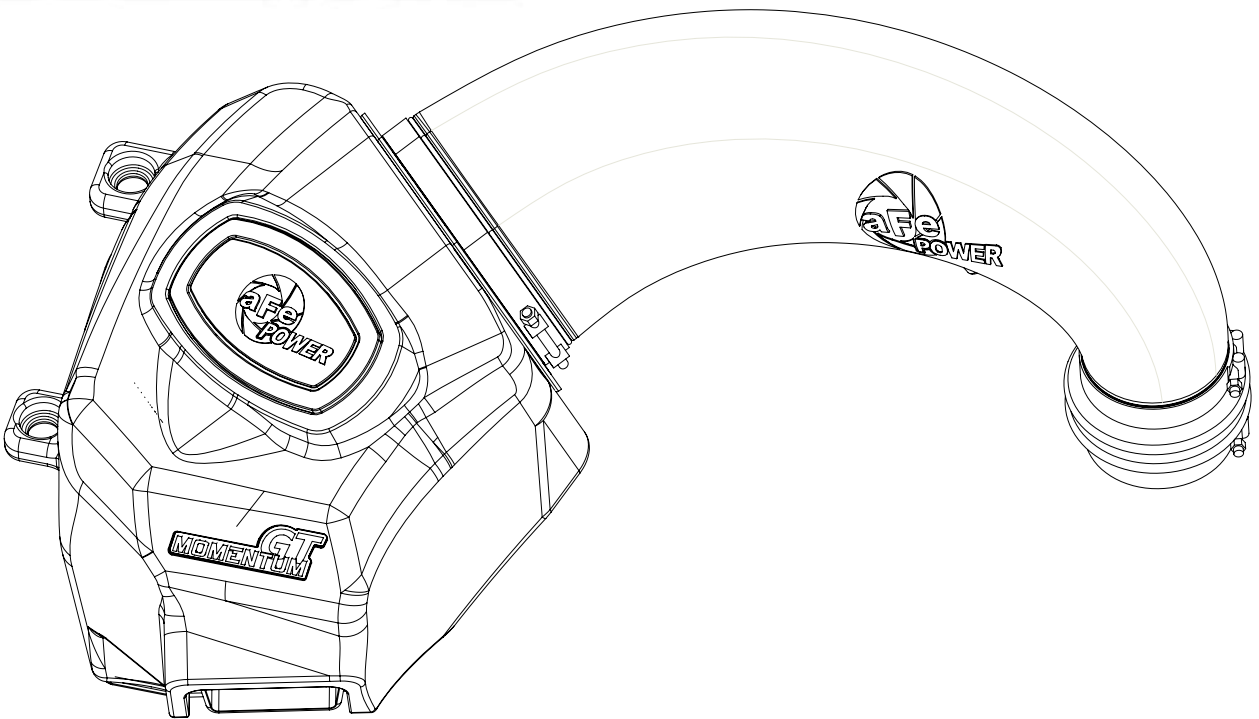


GT
MOMENTUM™



advanced FLOW engineering Momentum GT Intake System

Instruction Manual P/N: 50-70013D / 50-70013R

Make: **RAM** Model: **1500** Year: **19-20** Engine: **V8-5.7L HEMI**

NOTE: Will NOT fit RAM 1500 Classic models.



- Please read the entire instruction manual before proceeding.
- Ensure all components listed are present.
- If you are missing any of the components, call customer support at 951-493-7100.
- Ensure you have all necessary tools before proceeding.
- Do not attempt to work on your vehicle when the engine is hot.
- Disconnect the negative battery terminal before proceeding.

Retain factory parts for future use.

Label	Qty.	Description	Part Number
A1	1	Air Filter (Pro DRY S)	21-91092
A2	1	Air Filter (Pro 5R)	24-91092
B	1	Tube	05-5070013B1
C	1	Housing	05-5070013B2
D	1	Plug, Silicone	05-01429
E	1	Coupling, Silicone Bellow	05-01389
F	1	Grommet, Rubber	03-50167
G	1	Fitting, Air Temp. Sensor	05-01454
H	1	Fitting, Vent	05-01339
I	2	Clamp, T-bolt (3-9/16"-3-7/8")	03-50498

Installation will require the following tools:

8mm nut driver or socket, 11mm deep socket and driver, 20mm wrench or adjustable wrench.

Note: Legal in California for use on race vehicles only. The use of this device on vehicles used on public streets or highways is strictly prohibited in California and others states that have adopted California emission regulations.

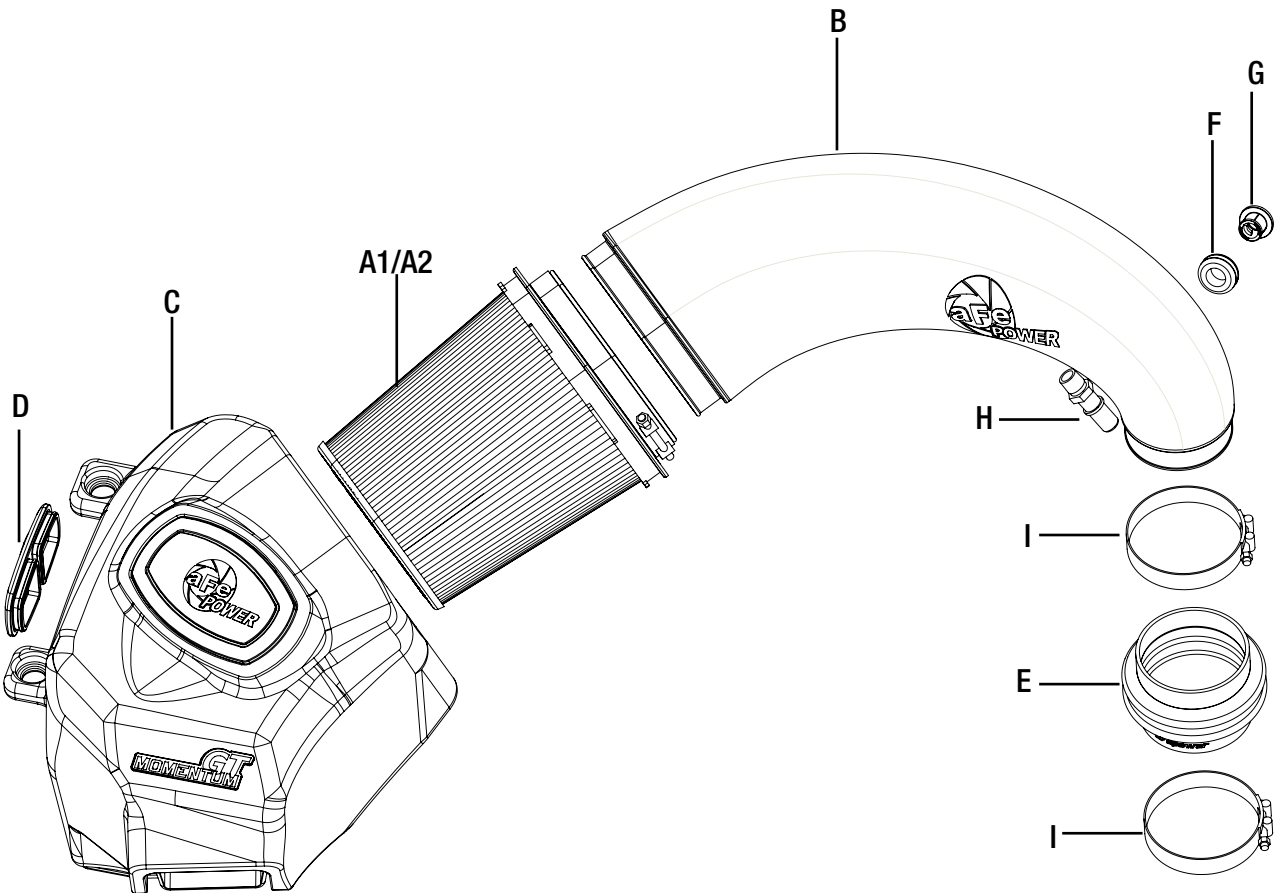



Figure A

Refer to Figure A for Steps 1-4.

- Step 1: Using an 8mm nut driver, loosen the stock clamps ① at the throttle body and filter housing.
- Step 2: Disconnect the temperature sensor harness ② from the stock intake tube.
- Step 3: Disconnect the crank case vent line ③ by disengaging the quick release connector and gently pulling the line away from the fitting on the stock intake tube.
- Step 4: Remove the stock intake tube by pulling up on the throttle body side, and away from the stock filter housing.



Figure B

Refer to Figure B for Step 5.

Step 5: Remove the stock filter housing by gently pulling straight upwards until the housing disengages from 4 mounting pegs and the inlet scoop towards the front of the vehicle. Set aside.



Figure C

Refer to Figure C for Step 6.

Step 6: Transfer all 4 rubber grommets (4) from the stock filter housing to your aFe POWER airbox as shown.



Figure D

Refer to Figure D for Steps 7-9.

Step 7: Install the provided rubber grommet and sensor fitting (5) into the aFe intake tube as shown.

Step 8: Install the provided NPT fitting (6) into your aFe intake tube in the threaded insert as shown. Tighten using a 20mm wrench or adjustable wrench.

Step 9: Remove the temperature sensor (7) from the stock intake tube by rotating a quarter turn and gently pulling outward. Reinstall the sensor into the aFe intake tube rotating a quarter turn to lock it into place.



Figure E

Refer to Figure E for Step 10.

Step 10: Install your aFe air filter and clamp (8) into the airbox before installing into the vehicle.



Figure F

Refer to Figure F for Step 11.

Step 11: Install the airbox into the vehicle by lining up the 4 mounting points and the air inlet scoop and gently pressing down until fully seated.

**Figure G****Refer to Figure G for Steps 12-13.**

- Step 12: Install the aFe coupler (9) onto the throttle body using one of the supplied T-bolt clamps (10). Tighten the clamp at the throttle body using an 11mm deep socket and driver.
- Step 13: Place the remaining T-Bolt clamp (11) onto the coupler, but do not tighten



Figure H

Refer to Figure H for Step 14.

Step 14: Install the aFe intake tube into both the air filter and throttle body coupler. Tighten the clamps at both ends using an 11mm deep socket and driver.



Figure I

Refer to Figure I for Step 15.

Step 15: Reconnect the temperature sensor wire harness (12) and crank case vent connector hose (13).

INSTALL



Figure J

Refer to Figure J for Step 16.

Step 16: (Optional) Use the provided plug (14) to close off the additional air inlet if you wish to completely seal the airbox. Best performance gains are obtained without the plug. Check that all components are tight and secure. Your installation is now complete. Thank you for choosing aFe POWER!

NOTE: Check all bolts, clamps, and connectors after 100-200 miles.



Pro DRY S Air Filter



P/N: 21-91092

Pro 5R Air Filter



P/N: 24-91092

Pro DRY S Restore Kit



P/N: 90-59999

Blue Squeeze Restore Kit



P/N: 90-50501

Pre-Filter



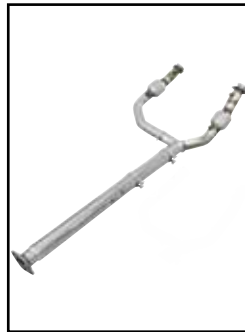
P/N: 28-10283

Shorty Headers



P/N: 48-32023

Exhaust Y-Pipe



P/N: 48-42024-RC (Street)
48-42024-RN (Race)

Exhaust Cat-Back



P/N: 49-42059-B (Blk. Tips)
49-42059-P (Pol. Tips)

Oil Filter



P/N: 44-LF012

To purchase any of the items above, view airflow charts, dyno graphs, photos, and video; please go to aFepower.com.

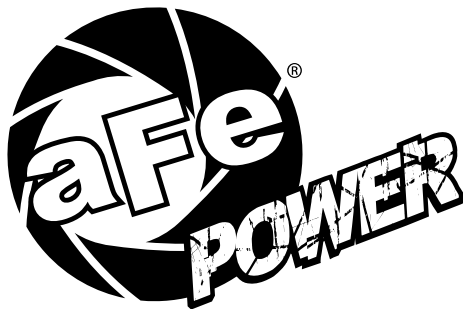
Warranty

General Terms:

- aFe warrants their products to be free from manufacturer's defects due to workmanship and material.
- This warranty applies only to the original purchaser of the product and is nontransferable.
- Proof of purchase of the aFe product is required for all warranty claims.
- Warranty is valid provided aFe instructions for installation and/or cleaning were properly followed.
- Proper maintenance with regular inspections of product is required to insure warranty coverage.
- Damage due to improper installation, abuse, unauthorized repair or alteration is not warranted.
- Incidental or consequential damages or cost, including installation and removal of part, incurred due to failure of aFe product is not covered under this warranty.
- All warranty is limited to the repair and/or replacement of the aFe part. To request Return Goods Authorization ("RGA"), email RGA@afepower.com or call (951)493-7100. Upon receipt of the RGA, you must return the product to the address provided in the RGA, freight prepaid and accompanied with a dated proof of purchase and the RGA. Upon receipt of the defective product and upon verification of proof of purchase, aFe will either repair or replace the defective product within a reasonable time, not to exceed thirty days.

Product Category	P/N Prefix	Warranty duration
Direct OE Replacement Filters	10, 11, 30, 31, 71, 73	Life of the vehicle
Racing Filters	18	1 year
Universal	21, 23, 24, 72	2 years
Air Intake Systems	50, 51, 53, 54, 55, 75	2 years
Exhaust Systems	49	2 years
Intercoolers & Intercooler Tubes	46-2	2 years
Intake Manifolds	46-1	2 years
Differential Cover	46-7	Life of the vehicle
Exhaust Manifolds	46	2 years
Throttle Body Spacers	46-3	2 years
Fluid Filters	44	90 days
Pre-Filters	28	2 years
Heavy Duty OE Replacement	70	2 years
PowerSports OE Replacement	81, 87	2 years
PowerSports Intake Systems	85	2 years

No other warranty expressed or implied applies nor is any person or advanced FLOW engineering authorized to assume any other warranty. Some States do not allow the exclusion or limitation of incidental or consequential damages or do not allow limitations on how long an implied warranty lasts, so the above limitations or exclusions may not apply to you. This warranty gives you specific legal rights, and you may also have other rights which vary from State to State.



advanced FLOW engineering, inc.
252 Granite Street Corona, CA 92879
TEL: 951.493.7100 • TECH: 951.493.7134
E-Mail: Tech@aFepower.com