

MOMENTUM **HD**

advanced FLOW engineering Momentum HD Cold Air Intake System

Instruction Manual P/N: 50-70057D / 50-70057T

Make: Ford

Model: F-250/F-350

Year: 1994-1997

Engine: V8-7.3L (td) Power Stroke



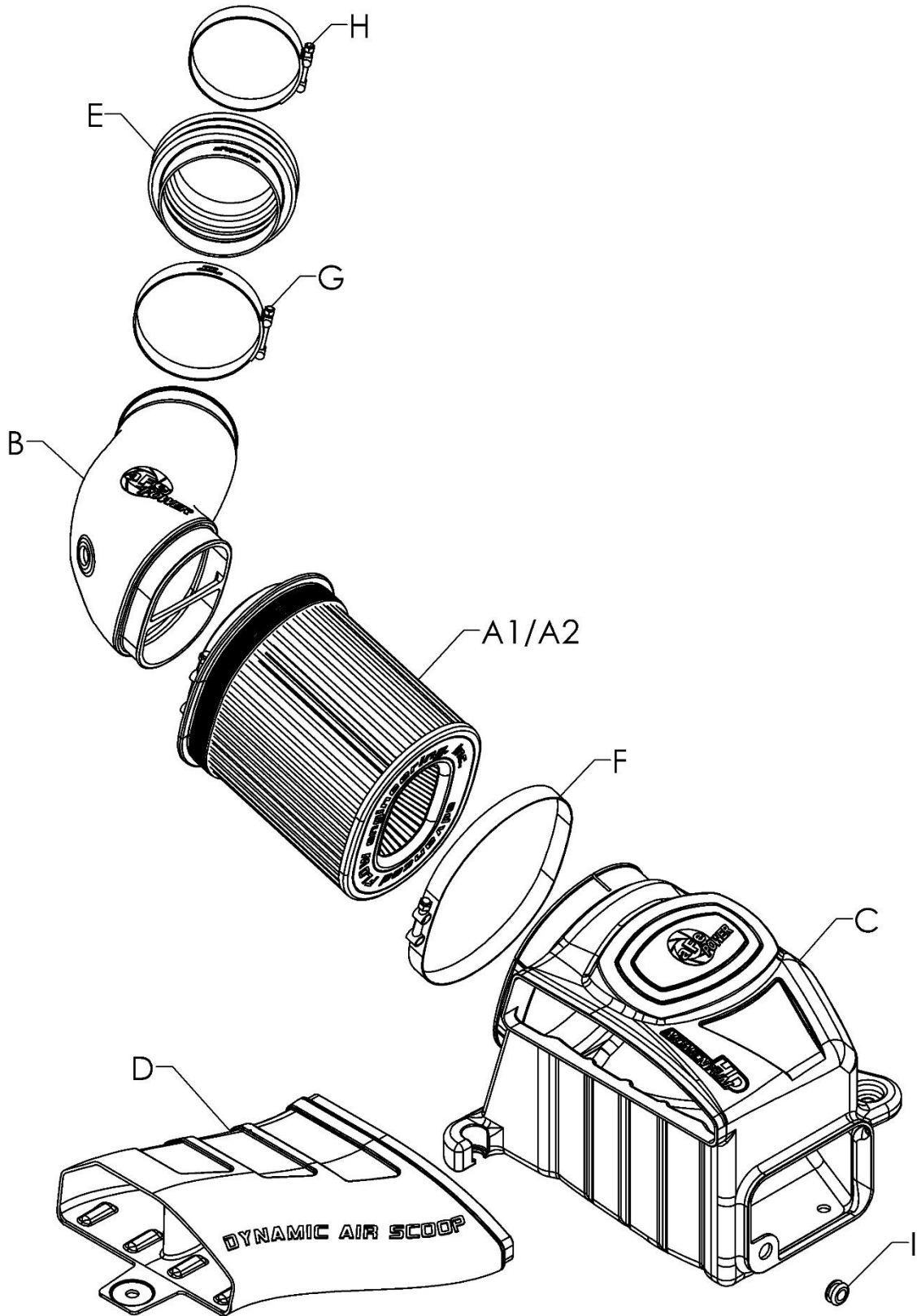
- Please read the entire instruction manual before proceeding.
- Ensure all components listed are present.
- For technical support please call 951-493-7185.
- Ensure you have all necessary tools before proceeding.
- Do not attempt to work on your vehicle when the engine is hot.
- Retain factory parts for future use.

Label	Qty.	Description	Part Number
A1	1	Air Filter (Pro 10R)	20-91109
A2	1	Air Filter (Pro DRY S)	21-91109
B	1	Tube	05-5070057B1
C	1	Housing	05-5070057B2
D	1	Scoop	05-5070057B3
E	1	Coupling, Silicone Reducer: (4" x 4-1/2")ID x 4"L	05-01373
F	1	Clamp, T-Bolt: (8-5/16" – 8-5/8")	05-50267
G	1	Clamp, T-Bolt: (4-13/16" – 5-1/8")	03-50261
H	1	Clamp, T-Bolt: (4-1/8" – 4-1/2")	03-50262
I	1	Grommet, Rubber	03-50076

Installation will require the following tools:

8mm nut driver, 11mm deep socket and driver, 6" socket extension, Flat head or square head screwdriver

Emissions Disclaimer: This product is not currently CARB exempt and is not available for purchase in California or for use on any vehicle registered with the California Department of Motor Vehicles.



**Figure A****Refer to Figure A for Step 1**

Step 1: Using an 8mm nut driver, remove the screw ① on the front of the stock air scoop, then remove the scoop.



Refer to Figure B for Step 2

Step 2: Using a flat head screwdriver, loosen the two threaded sleeve nuts ②, and remove them.

Note Some vehicles may be equipped with square-head sleeve nuts. In this case, use a square head screwdriver to remove them.

**Figure C****Refer to Figure C for Step 3**

Step 3: Using an 8mm nut driver, loosen the two clamps ③ at the filter housing and turbo inlet. Remove the top of the filter housing and the intake tube.

**Figure D****Refer to Figure D for Steps 4-5**

Step 4: Remove the factory air filter (4) and set aside.

Step 5: Remove the ambient air temperature sensor (5) from the side of the factory housing by gently twisting ¼ turn and pressing it out through the side of the housing.

**Figure E****Refer to Figure E for Step 6**

Step 6: Using an 11mm socket and extension, remove the retaining nut (6) on the back side of the factory filter housing, then remove the housing by pulling straight up off the two grommet mounts.



Figure F

Refer to Figure F for Step 7

Step 7: Transfer the two mounting grommets (7) from the bottom of the factory housing into their respective positions (8) on your aFe Power housing.

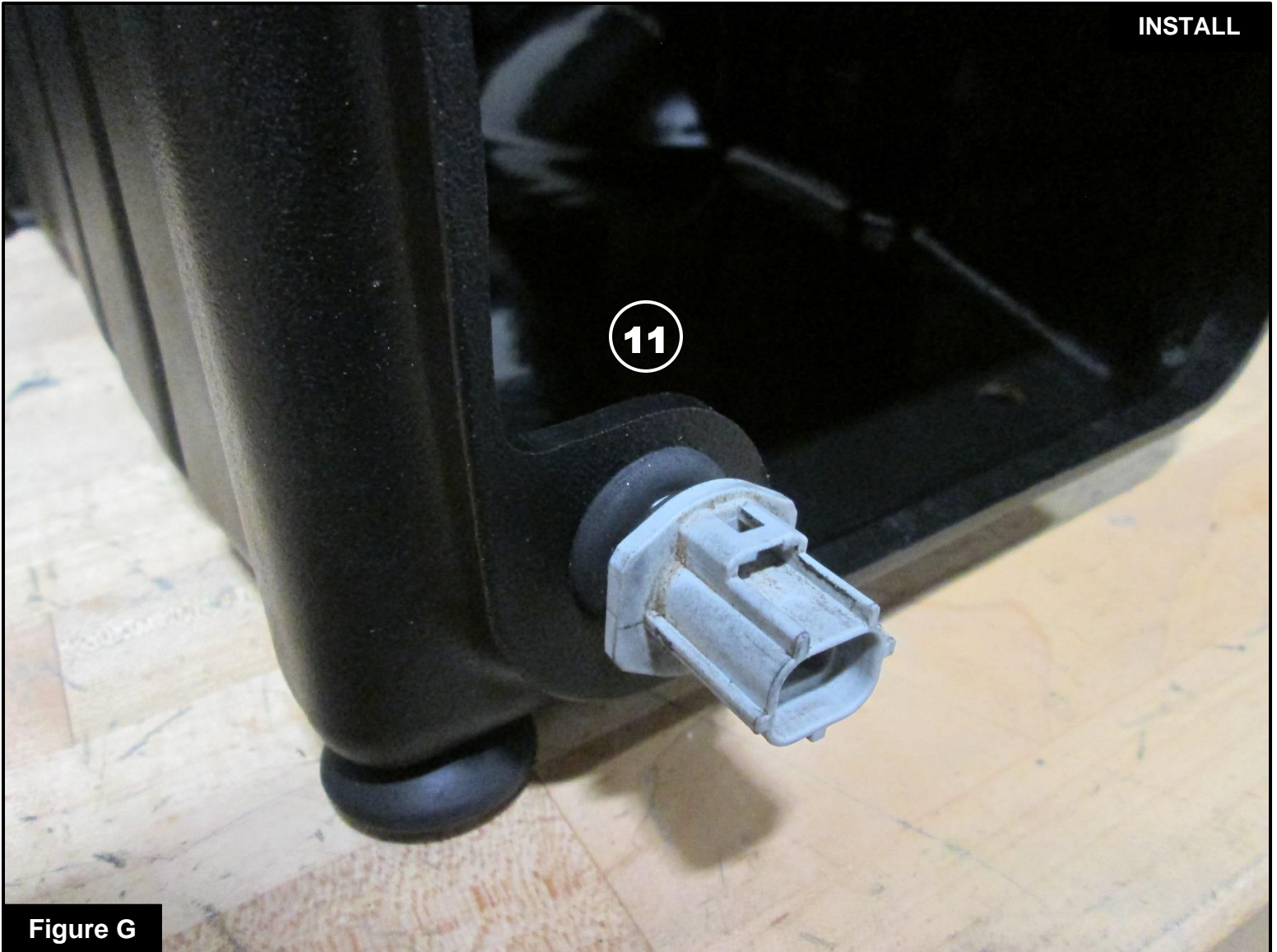


Figure G

Refer to Figure G for Steps 8-9

Step 8: Install the supplied rubber grommet (9) into the hole on the side of your aFe Power housing.

Step 9: Disconnect the ambient air temperature sensor (10) from the wire harness in your vehicle, and carefully install it into the grommet.

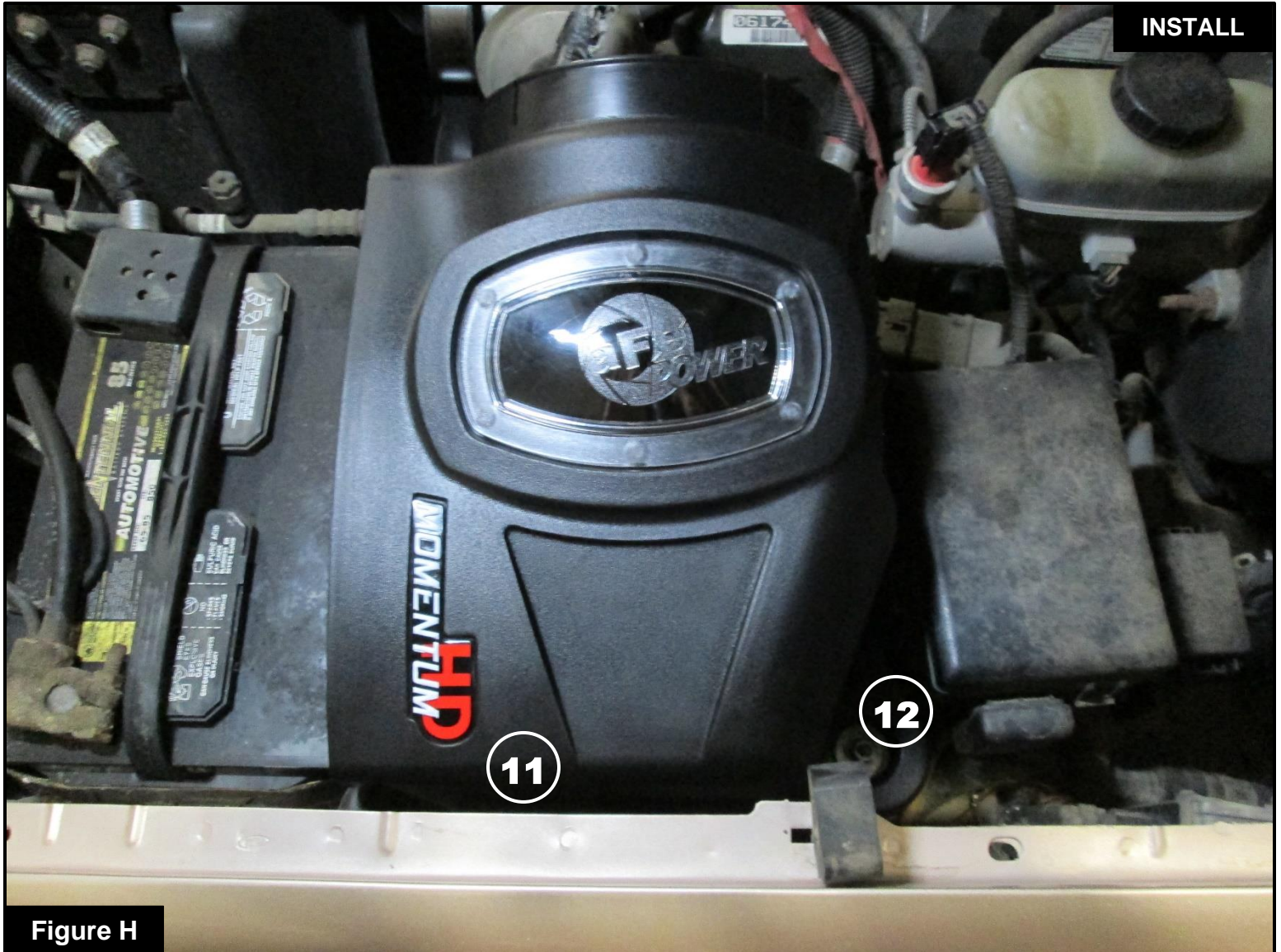


Figure H

Refer to Figure H for Steps 10-11

Step 10: Install your aFe Power housing into the vehicle by connecting the temperature sensor wire harness (11), then lowering the housing onto the two mounting points. Press firmly to ensure the housing is fully seated.

Step 11: Reinstall the retaining nut (12) removed in step #6 on the back side of the housing. Tighten using an 11mm socket and extension.

**Figure I****Refer to Figure I for Steps 12-13**

Step 12: Install the largest supplied T-Bolt clamp (13) onto the opening on your aFe Power housing as shown.

Step 13: Install your aFe Power air filter (14) into the housing. Leave both clamps loose at this time.


Figure J

Refer to Figure J for Steps 14-15

- Step 14: Install the supplied bellows coupler (15) with the smaller diameter on the turbo inlet pipe. Secure it with the smallest supplied T-bolt clamp (16), and tighten using an 11mm deep socket and driver.
- Step 15: Place the remaining T-Bolt clamp (17) loosely on the open end of the coupler as shown.

**Figure K****Refer to Figure K for Step 16**

Step 16: Transfer the stock filter minder and grommet (18) from the top half of the stock filter housing into the hole on your aFe Power intake tube (19).

**Figure L****Refer to Figure L for Step 17**

Step 17: Install your aFe Power intake tube ②0 into the vehicle by inserting the round end into the bellows coupler, then rotating the tube down into the filter inlet. Tighten the remaining clamps using an 11mm deep socket and driver.

**Figure M**

Refer to Figure M for Step 18

Step 18: Install your aFe Power Dynamic Air Scoop (21) into the vehicle by sliding the large open end into the opening on your aFe Power housing. Secure the scoop using the 8mm screw (22) removed in step #1.

**Figure N****Refer to Figure N for Step 19**

Step 19: Double check that all clamps and fasteners are tightened. Your installation is now complete! Thank you for choosing aFe POWER!

NOTE: Check all screws, clamps, and connectors are secure after 100-200 mi



Pro DRY S Air Filter



P/N: 21-91109

Pro 10R Air Filter



P/N: 20-91109

Pro GUARD 7 Air Filter



P/N: 72-91109

Magnum SHIELD Pre-Filter



P/N: 28-10283

Pro DRY S Restore Kit



P/N: 90-59999

Pro 10R / Pro 5R Restore Kit



P/N: 90-50501

Pro GUARD 7 Restore Kit



P/N: 90-50500

Turbo-Back Exhaust System



P/N: 49-23011-1

Rear Differential Cover



P/N: 46-70022

Transmission Pan



P/N: 46-70122-1

BladeRunner GT Turbocharger



P/N: 46-60232

Scorcher HD Performance Chip



P/N: 77-43030

To purchase any of the items above, view airflow charts, dyno graphs, photos, and video; please go to aFepower.com.



Warranty

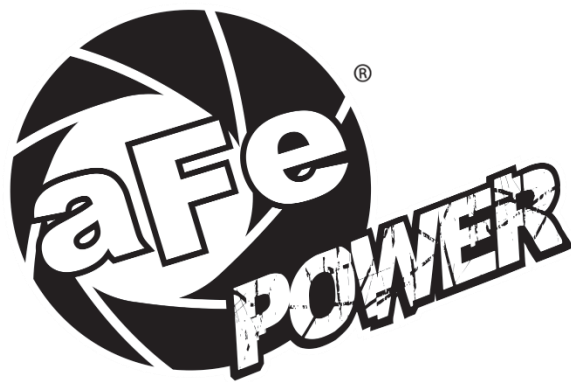
General Terms:

- aFe warrants their products to be free from manufacturer's defects due to workmanship and material.
- This warranty applies only to the original purchaser of the product and is non-transferrable.
- Proof of purchase of the aFe product is required for all warranty claims.
- Warranty is valid provided aFe instructions for installation and/or cleaning were properly followed.
- Proper maintenance with regular inspections of product is required to insure warranty coverage.
- Damage due to improper installation, abuse, unauthorized repair or alteration is not warranted.
- Incidental or consequential damages or cost, including installation and removal of part, incurred due to failure of aFe product is not covered under this warranty.
- All warranty is limited to the repair and/or replacement of the aFe part. To request Return Goods Authorization ("RGA"), email RGA@afepower.com or call (951)493-7100. Upon receipt of the RGA, you must return the product to the address provided in the RGA, freight prepaid and accompanied with a dated proof of purchase and the RGA. Upon receipt of the defective product and upon verification of proof of purchase, aFe will either repair or replace the defective product within a reasonable time, not to exceed thirty days.

Product Category	P/N Prefix	Warranty duration
Direct OE Replacement Filters	10, 11, 30, 31, 71, 73	Life of the vehicle
Racing Filters	18	1 year
Universal	20, 21, 23, 24, 72, TF	2 years
Air Intake Systems	50, 51, 53, 54, 55, 56, 57, 58, 75, TR, TA, TL, TM	2 years
Exhaust Systems	49	2 years
Intercoolers & Intercooler Tubes	46-2	2 years
Intake Manifolds	46-1	2 years
Differential Cover	46-7	Life of the vehicle
Exhaust Manifolds	46	2 years
Throttle Body Spacers	46-3	2 years
Turbochargers	46-6	2 years*
Fluid Filters	44	90 days
Pre-Filters	28	2 years
Heavy Duty OE Replacement	70	2 years
PowerSports OE Replacement	81, 87	2 years
PowerSports Intake Systems	85	2 years

No other warranty expressed or implied applies nor is any person or advanced FLOW engineering authorized to assume any other warranty. Some States do not allow the exclusion or limitation of incidental or consequential damages or do not allow limitations on how long an implied warranty lasts, so the above limitations or exclusions may not apply to you. This warranty gives you specific legal rights, and you may also have other rights which vary from State to State.

*See turbocharger warranty for more info



advanced FLOW engineering, inc.

252 Granite Street Corona, CA 92879

TECH: 951.493.7185

E-Mail: Tech@aFepower.com

P/N: 06-81354