

advanced FLOW engineering Momentum GT Cold Air Intake System

Instruction Manual P/N: 50-70058D / 50-70058R

Make: Ford

Model: Super Duty F-250/F350

Year: 2020

Engine: V8-7.3L



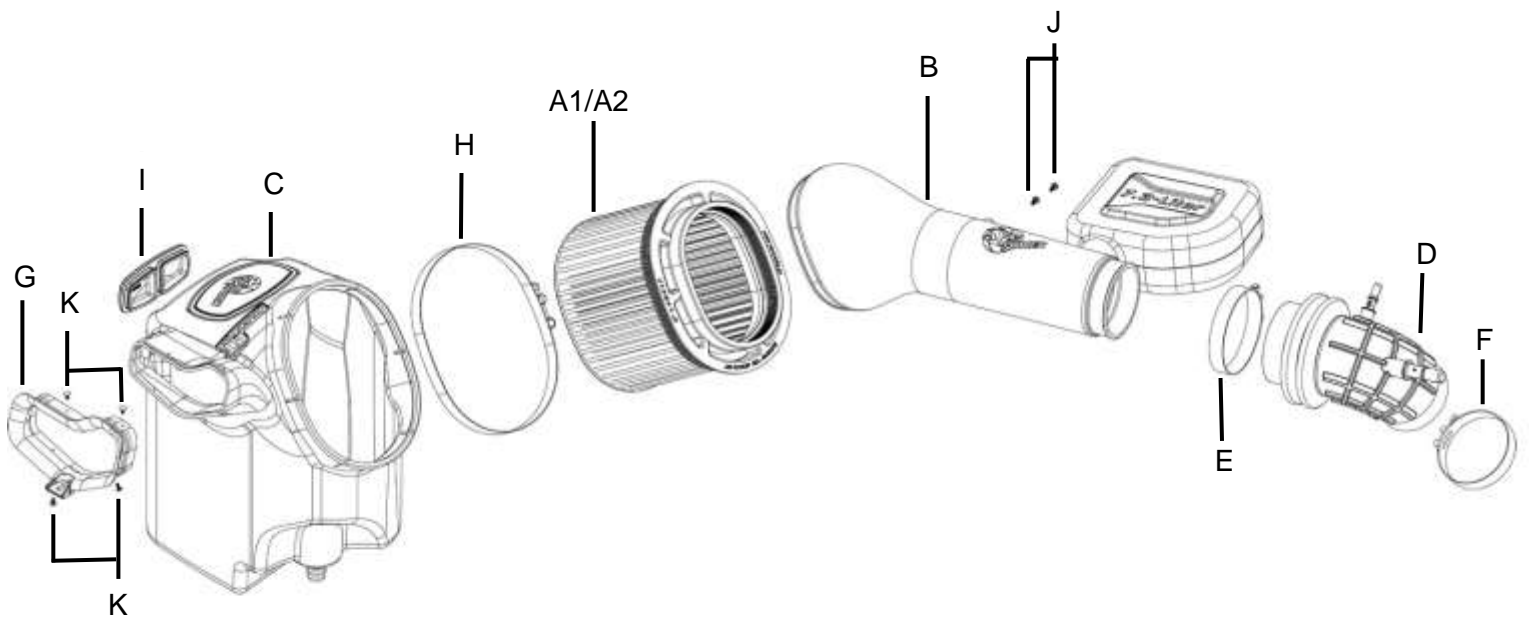
- Please read the entire instruction manual before proceeding.
- Ensure all components listed are present.
- For technical support please call 951-493-7185.
- Ensure you have all necessary tools before proceeding.
- Do not attempt to work on your vehicle when the engine is hot.
- Retain factory parts for future use.

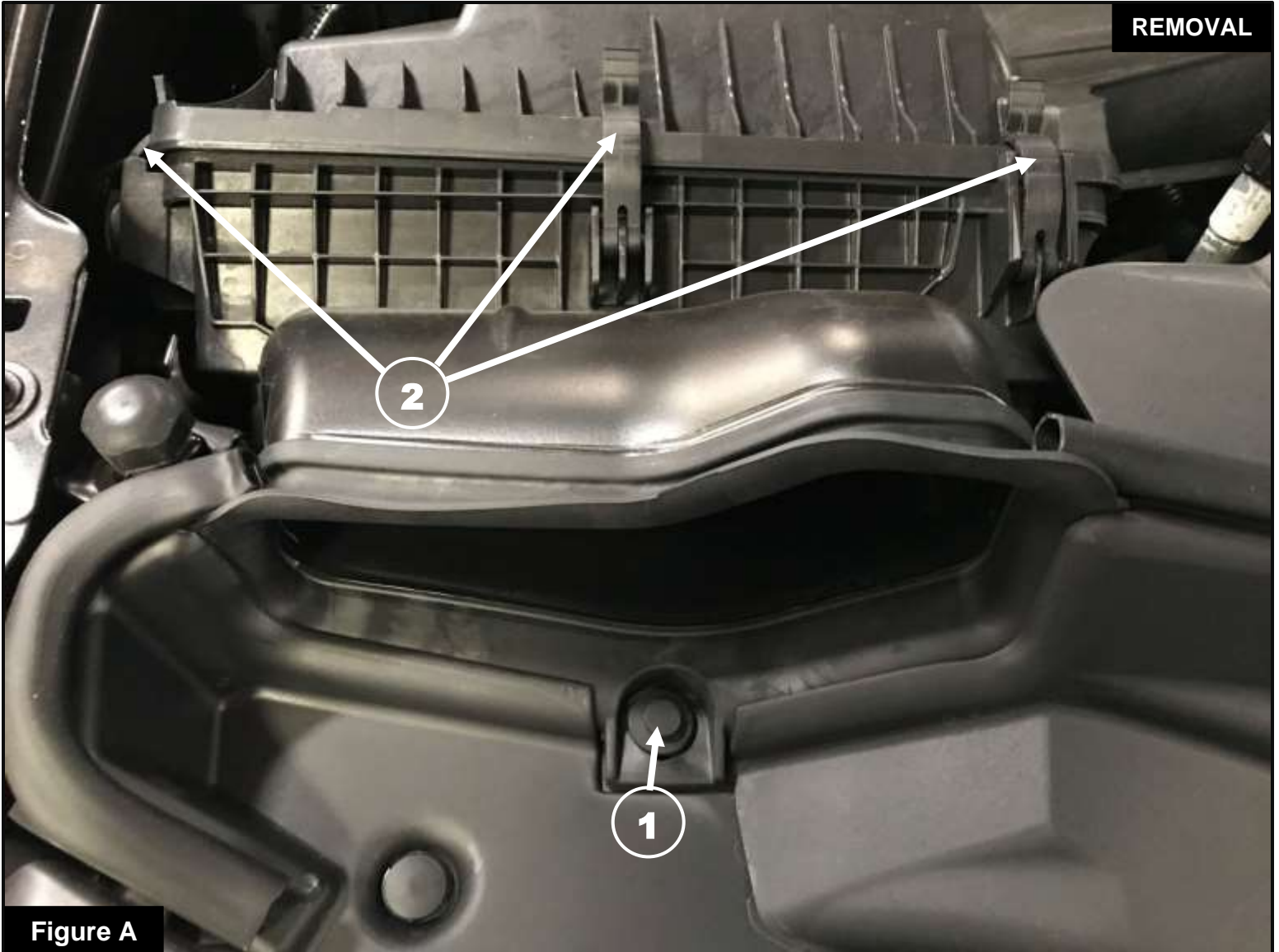
Label	Qty.	Description	Part Number
A1	1	Air Filter (Pro 5R)	24-91061
A2	1	Air Filter (Pro DRY S)	21-91061
B	1	Tube	05-5070058B1
C	1	Housing	05-5070058B2
D	1	Coupling, Silicone Bellows	05-01537
E	1	Clamp, T-bolt (3-13/16" - 4-1/8")	03-50265
F	1	Clamp, T-bolt (3-9/16"-3-7/8")	03-50498
G	1	Seal, Trim	05-01553
H	1	Clamp, T-bolt (8-5/16" - 8-5/8")	03-50267
I	1	Plug, Silicone	05-01429
J	2	Screw, Torx: M4x10mm	03-50490
K	4	Retainer Clip	05-01554

Installation will require the following tools:

Panel clip remover, T20 Torx driver, 7mm nut driver, 11mm deep socket and driver

Emissions Disclaimer: This product is not currently CARB exempt and is not available for purchase in California or for use on any vehicle registered with the California Department of Motor Vehicles.



**Figure A****Refer to Figure A for Steps 1-2**

Step 1: Using a panel clip remover, remove the retaining plastic clip ① holding part of the scoop seal down and set aside for later use.

Step 2: Unclip the three taps ② from the factory air filter cover.

**Figure B****Refer to Figure B for Steps 3-6**

Step 3: Disconnect the two quick disconnect fittings (3) from the factory intake tube.

Step 4: Using a 7mm nut driver, loosen the hose clamp (4) at the throttle body.

Step 5: Disconnect the MAF sensor (5) and the clip (6) holding the harness.

Step 6: Remove the factory air filter cover/intake tube assembly and put aside.



REMOVAL

Figure C

Refer to Figure C for Step 7

Step 7: Remove the factory lower air filter housing by pulling it straight up from its mounting grommets.

**Figure D****Refer to Figure D for Steps 8-9**

Step 8: Place the scoop seal trim (7) on the scoop opening of the aFe POWER housing.

Step 9: Align the holes from the scoop seal trim and the aFe POWER housing. Insert all four retainer clips (8) fully into the cavities and make sure the seal trim is secure to the aFe POWER housing.

**Figure E****Refer to Figure E for Step 10**

Step 10: Remove the two grommets ⑨ from the lower air filter housing and install them onto the aFe POWER housing. Make sure they are fully seated past the bead.

**Figure F****Refer to Figure F for Steps 11-12**

Step 11: Install the aFe POWER housing on to vehicle. Make sure the bottom mounting pin is fully seated in the mounting grommet and the two side mounting pins with grommets are fully engaged on the mounting bracket.

Step 12: Make sure the scoop seal trim seats behind the plastic trim cover (please see picture). Install the retaining plastic clip ⑩ removed on step 1 to secure the trim seal.



Figure G

Refer to Figure G for Steps 13-15

Step 13: Slide the large T-Bolt clamp (11) over the air filter opening on the aFe POWER housing.

Step 14: Slide the aFe POWER filter with clamp into the housing. Do not tighten the clamps.

Step 15: Use the provided plug (12) to close the additional air inlet if you want to completely seal the airbox.

Best performance gain is obtained by having more air flow (no plug).

**Figure H****Refer to Figure H for Steps 16-17**

Step 16: Place the supplied aFe POWER coupling (13) and TB387SS clamp (14) over the throttle body. Do not tighten.

Step 17: Place the TB412SS clamp (15) on the installed coupling. Do not tighten.

**Figure I****Refer to Figure I for Step 18**

Step 18: Using a T20 Torx driver, remove the MAF sensor ①6 from the factory housing and install it on the aFe POWER intake tube using the supplied M4 screws.

**Figure J****Refer to Figure J for Steps 19-20**

Step 19: Install the aFe POWER intake tube into the vehicle. Slide the tube into the throttle body coupling first, then into the air filter.

Step 20: Align the coupler, intake tube and clamps correctly, then using a 11mm deep socket and driver tighten all the clamps ⑰.



Refer to Figure K for Steps 21-23

Step 21: Reconnect the two breather quick connectors (18).

Step 22: Reconnect the MAF sensor (19).

Step 23: Check all the components are tight and secure. Your installation is now complete. Thank you for choosing aFe POWER!

NOTE: Check all bolts, clamps, and connectors after 100-200 miles.



Page left blank intentionally



Page left blank intentionally



Page left blank intentionally



Pro DRY S Air Filter



P/N: 21-91061

Pro 5R Air Filter



P/N: 24-91061

Pro DRY S Restore Kit



P/N: 90-59999

Blue Squeeze Restore Kit



P/N: 90-50501

Pre-Filter



P/N: 28-10283

aFe Fender Cover



P/N: 40-10230

Sprint Booster V3



P/N: 77-13001

Throttle Body Spacer



P/N: 46-33020

Intake Manifold Spacers



P/N: 46-33024

Rebel Exhaust System



P/N: 49-43117-B (Blk. Tips)
49-43117-P (Pol. Tips)

MACH Force-Xp Exhaust System



P/N: 49-43086-B (Blk. Tips)
49-43086-P (Pol. Tips)

Apollo GT Exhaust System



P/N: 49-43116-B (Blk. Tips)
49-43116-P (Pol. Tips)

To purchase any of the items above, view airflow charts, dyno graphs, photos, and video; please go to aFepower.com.



Warranty

General Terms:

- aFe warrants their products to be free from manufacturer's defects due to workmanship and material.
- This warranty applies only to the original purchaser of the product and is non-transferrable.
- Proof of purchase of the aFe product is required for all warranty claims.
- Warranty is valid provided aFe instructions for installation and/or cleaning were properly followed.
- Proper maintenance with regular inspections of product is required to insure warranty coverage.
- Damage due to improper installation, abuse, unauthorized repair or alteration is not warranted.
- Incidental or consequential damages or cost, including installation and removal of part, incurred due to failure of aFe product is not covered under this warranty.
- All warranty is limited to the repair and/or replacement of the aFe part. To request Return Goods Authorization ("RGA"), email RGA@afepower.com or call (951)493-7100. Upon receipt of the RGA, you must return the product to the address provided in the RGA, freight prepaid and accompanied with a dated proof of purchase and the RGA. Upon receipt of the defective product and upon verification of proof of purchase, aFe will either repair or replace the defective product within a reasonable time, not to exceed thirty days.

Product Category	P/N Prefix	Warranty duration
Direct OE Replacement Filters	10, 11, 30, 31, 71, 73	Life of the vehicle
Racing Filters	18	1 year
Universal	20, 21, 23, 24, 72, TF	2 years
Air Intake Systems	50, 51, 53, 54, 55, 56, 57, 58, 75, TR, TA, TL, TM	2 years
Exhaust Systems	49	2 years
Intercoolers & Intercooler Tubes	46-2	2 years
Intake Manifolds	46-1	2 years
Differential Cover	46-7	Life of the vehicle
Exhaust Manifolds	46	2 years
Throttle Body Spacers	46-3	2 years
Turbochargers	46-6	2 years*
Fluid Filters	44	90 days
Pre-Filters	28	2 years
Heavy Duty OE Replacement	70	2 years
PowerSports OE Replacement	81, 87	2 years
PowerSports Intake Systems	85	2 years

No other warranty expressed or implied applies nor is any person or advanced FLOW engineering authorized to assume any other warranty. Some States do not allow the exclusion or limitation of incidental or consequential damages or do not allow limitations on how long an implied warranty lasts, so the above limitations or exclusions may not apply to you. This warranty gives you specific legal rights, and you may also have other rights which vary from State to State.

*See turbocharger warranty for more info



advanced FLOW engineering, inc.

252 Granite Street Corona, CA 92879
TEL: 951.493.7100 • TECH: 951.493.7134
E-Mail: Tech@aFepower.com

P/N: 06-81343