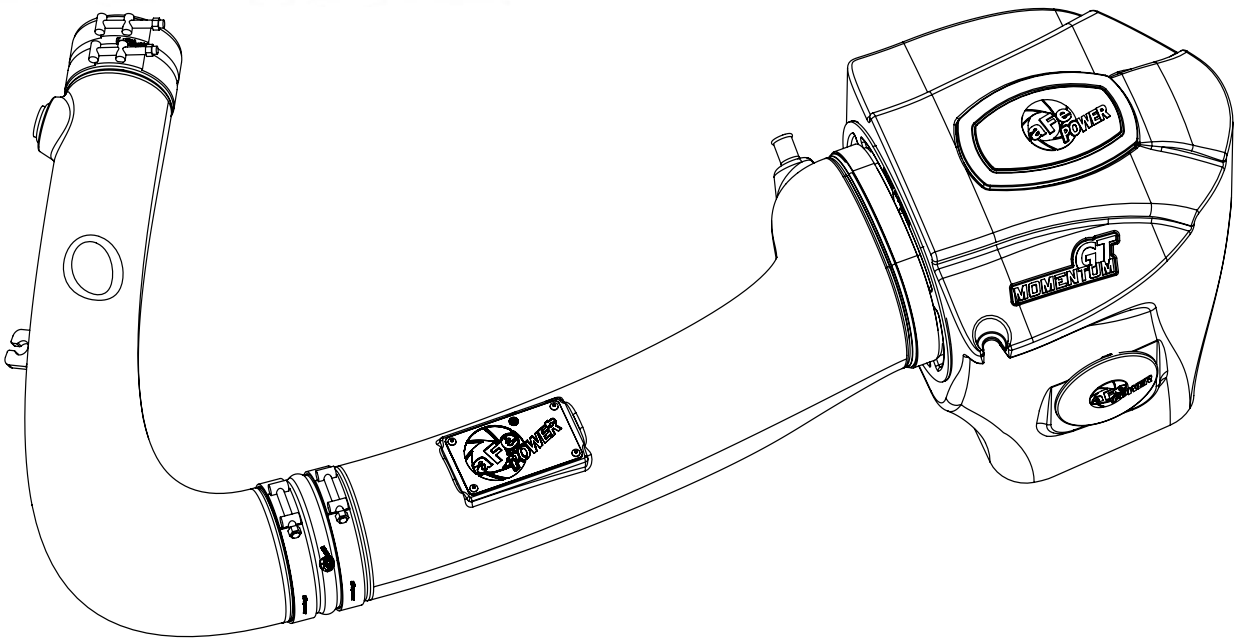


**GT**  
**MOMENTUM™**



**advanced FLOW engineering** Momentum GT Cold Air Intake System

**Instruction Manual** P/N: 51-72201 / 54-72201

Make: **Dodge** Model: **Challenger/Charger** Year: **2011-2020** Engine: **V6-3.6L**

Make: **Chrysler** Model: **300**

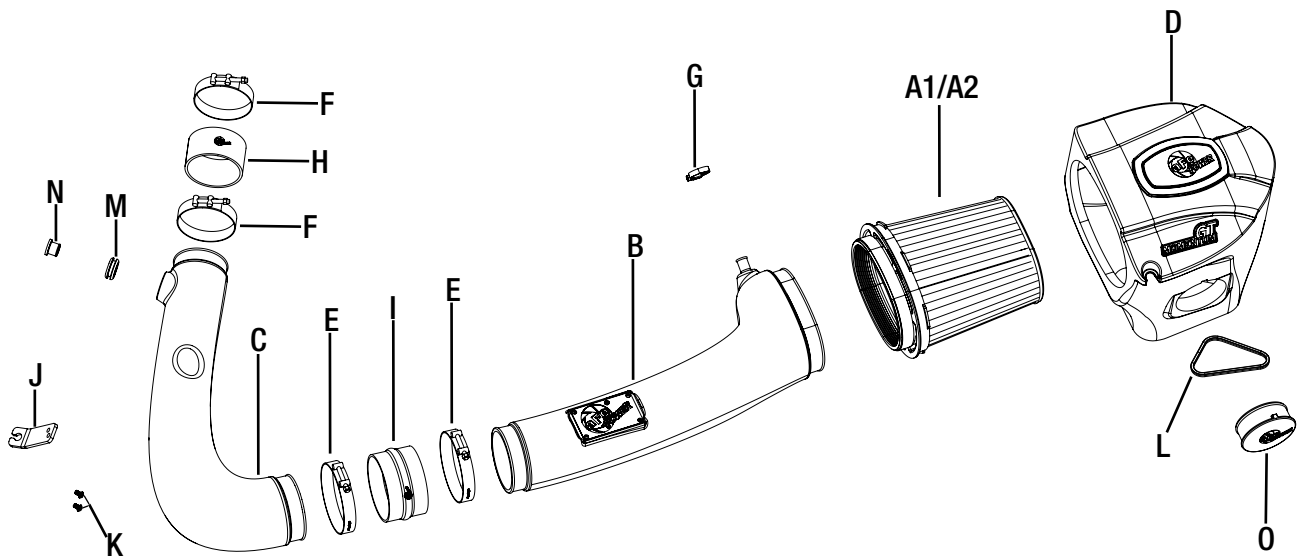
Year: **2011-2014** Engine: **V6-3.6L**



- Please read the entire instruction manual before proceeding.
- Ensure all components listed are present.
- If you are missing any of the components, call customer support at 951-493-7100.
- Ensure you have all necessary tools before proceeding.
- Do not attempt to work on your vehicle when the engine is hot.
- Disconnect the negative battery terminal before proceeding.
- Retain factory parts for future use.

Label	Qty.	Description	Part Number
A1	1	Air Filter (Pro DRY S)	21-91092 (Grey Media)
A2	1	Air Filter (Pro-5R)	24-91092 (Blue Media)
B	1	Intake Tube #1	05-72201B1
C	1	Intake Tube #2	05-72201B3
D	1	Housing	05-72201B2
E	2	Clamp, T-bolt (4-1/8"-4-1/2")	03-50262
F	2	Clamp, T-bolt (3-5/16" - 3-5/8")	03-50292
G	1	Clamp-Mini (9/16" - 1-1/16")	03-50078
H	1	Coupling, Silicone Straight	05-01223
I	1	Coupling, Silicone Hump	05-01332
J	1	Bracket, Aluminum Support	05-01369
K	2	Screw, Btn Head Socket	03-50102
L	1	Seal, Trim; 7/16" (20.5")	05-00072
M	1	Grommet	03-50167
N	1	Fitting, Air Temp Sensor	05-01336
O	1	Plug, Housing	05-01361

Tools needed: Tools needed: 8mm and 10mm nut driver or socket, flat screw driver, and pliers.



**Figure A****Refer to Figure A for Steps 1-5**

- Step 1: Remove the engine cover and disconnect the crank case hose.
- Step 2: Remove 8mm bolt off the factory air box.
- Step 3: Loosen the clamp off the factory intake tube at the throttle body.
- Step 4: Unplug Temp sensor.
- Step 5: Pull the factory intake air system out of the vehicle.

**Figure B****Refer to Figure B for Steps 6-8**

Step 6: Transfer the grommet from the factory air box to the aFe housing.

Step 7: Install the trim seal on the bottom edge of the aFe housing.

Step 8: Slide the aFe filter inside the aFe housing until it locks in place. Install clamp on the filter end but do not tighten at this time

**Figure C****Refer to Figure C for Step 9**

Step 9: For the 2015 Challenger, if you wish to use the headlight inlet duct, pop the cap off the center of the headlight and install on the aFe housing the aFe inlet duct (Sold Separately, P/N: 54-72203-S). For all other vehicle, leave the housing inlet open to get more air or close it off with the furnished plug to block off the hot engine air.

**Figure D****Refer to Figure D for Steps 10-11**

Step 10: Make sure factory grommet is installed correctly into hole.

Step 11: Install aFe housing assembly into vehicle.

**Figure E****Refer to Figure E for Steps 12-16**

- Step 12: Install the hump coupling onto the curved tube with the clamps. Do not tighten yet.
- Step 13: Secure the bracket to the tube using the furnished button head screws. Tighten the screws.
- Step 14: Transfer the grommet from the factory intake to the aFe bracket.
- Step 15: Install the furnished grommet into hole in aFe tube then press the aluminum fitting in it.
- Step 16: Remove the temperature sensor from the factory tube. Secure it into the aluminum fitting turning clockwise.





**Figure F**

**Refer to Figure F for Steps 17-18**

Step 17: Install the small coupling over the throttle body with clamps. Do not tighten yet.

Step 18: Install the curved tube onto the coupling and push the grommet onto the factory mounting peg.

**Figure G****Refer to Figure G for Steps 19-23**

Step 19: Install the second tube into the filter then into the coupling.

Step 20: Align the tubes correctly, make sure grommet is engaged on mounting peg then tighten all clamps.

Step 21: Reconnect the temperature sensor.

Step 22: Reconnect the crank case hose to the tube and secure it with the furnished mini clamp.

Step 23: Re-install the factory bolt to secure the housing.



Figure H

**Refer to Figure H for Steps 24**

Step 24: Reinstall the engine cover.

**NOTE:** Place enclosed CARB EO sticker on a smooth/clean surface on or near the air intake system. EO identification label is required to pass the smog check inspection. Your installation is now completed. Thank you for choosing aFePower.



PAGE LEFT BLANK INTENTIONALLY

PAGE LEFT BLANK INTENTIONALLY



Pro DRY S Air Filter



P/N: 21-91092

Pro 5R Air Filter



P/N: 24-91092

Pro DRY S Restore Kit



P/N: 90-59999

Blue Squeeze Restore Kit



P/N: 90-50501

Blue Aerosol Restore Kit



P/N: 90-50001

Module



P/N: 77-12001 (M/T)  
P/N: 77-12002 (A/T)

Dynamic Air Scoop



P/N: 54-72203-S

To purchase any of the items above, view airflow charts, dyno graphs, photos, and video; please go to [aFepower.com](http://aFepower.com).

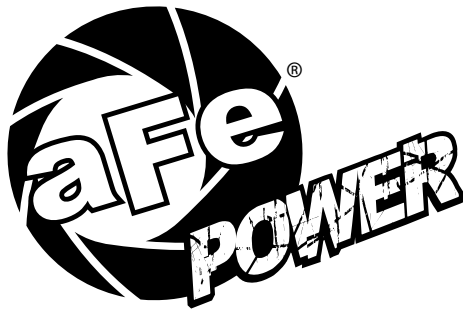
# Warranty

## General Terms:

- aFe warrants their products to be free from manufacturer's defects due to workmanship and material.
- This warranty applies only to the original purchaser of the product and is nontransferable.
- Proof of purchase of the aFe product is required for all warranty claims.
- Warranty is valid provided aFe instructions for installation and/or cleaning were properly followed.
- Proper maintenance with regular inspections of product is required to insure warranty coverage.
- Damage due to improper installation, abuse, unauthorized repair or alteration is not warranted.
- Incidental or consequential damages or cost, including installation and removal of part, incurred due to failure of aFe product is not covered under this warranty.
- All warranty is limited to the repair and/or replacement of the aFe part. To request Return Goods Authorization ("RGA"), email [RGA@afepower.com](mailto:RGA@afepower.com) or call (951)493-7100. Upon receipt of the RGA, you must return the product to the address provided in the RGA, freight prepaid and accompanied with a dated proof of purchase and the RGA. Upon receipt of the defective product and upon verification of proof of purchase, aFe will either repair or replace the defective product within a reasonable time, not to exceed thirty days.

<b>Product Category</b>	<b>P/N Prefix</b>	<b>Warranty duration</b>
Direct OE Replacement Filters	10, 11, 30, 31, 71, 73	Life of the vehicle
Racing Filters	18	1 year
Universal	21, 24, 72	2 years
Air Intake Systems	50, 51, 54, 55, 75	2 years
Exhaust Systems	49	2 years
Intercoolers & Intercooler Tubes	46-2	2 years
Intake Manifolds	46-1	2 years
Differential Cover	46-7	Life of the vehicle
Exhaust Manifolds	46	2 years
Throttle Body Spacers	46-3	2 years
Fluid Filters	44	90 days
Pre-Filters	28	2 years
Heavy Duty OE Replacement	70	2 years
PowerSports OE Replacement	81, 87	2 years
PowerSports Intake Systems	85	2 years

No other warranty expressed or implied applies nor is any person or advanced FLOW engineering authorized to assume any other warranty. Some States do not allow the exclusion or limitation of incidental or consequential damages or do not allow limitations on how long an implied warranty lasts, so the above limitations or exclusions may not apply to you. This warranty gives you specific legal rights, and you may also have other rights which vary from State to State.



**advanced FLOW engineering, inc.**

252 Granite Street Corona, CA 92879

TEL: 951.493.7100 • TECH: 951.493.7185

E-Mail: [Tech@aFepower.com](mailto:Tech@aFepower.com)