

advanced FLOW engineering

Instruction Manual P/N: 54-76005-S

Make: **Toyota** Model: **Tacoma** Year: **2016-2017** Engine: **V6-3.5L**



- Please read the entire instruction manual before proceeding.
- Ensure all components listed are present.
- If you are missing any of the components, call customer support at 951-493-7100.
- Ensure you have all necessary tools before proceeding.
- Do not attempt to work on your vehicle when the engine is hot.

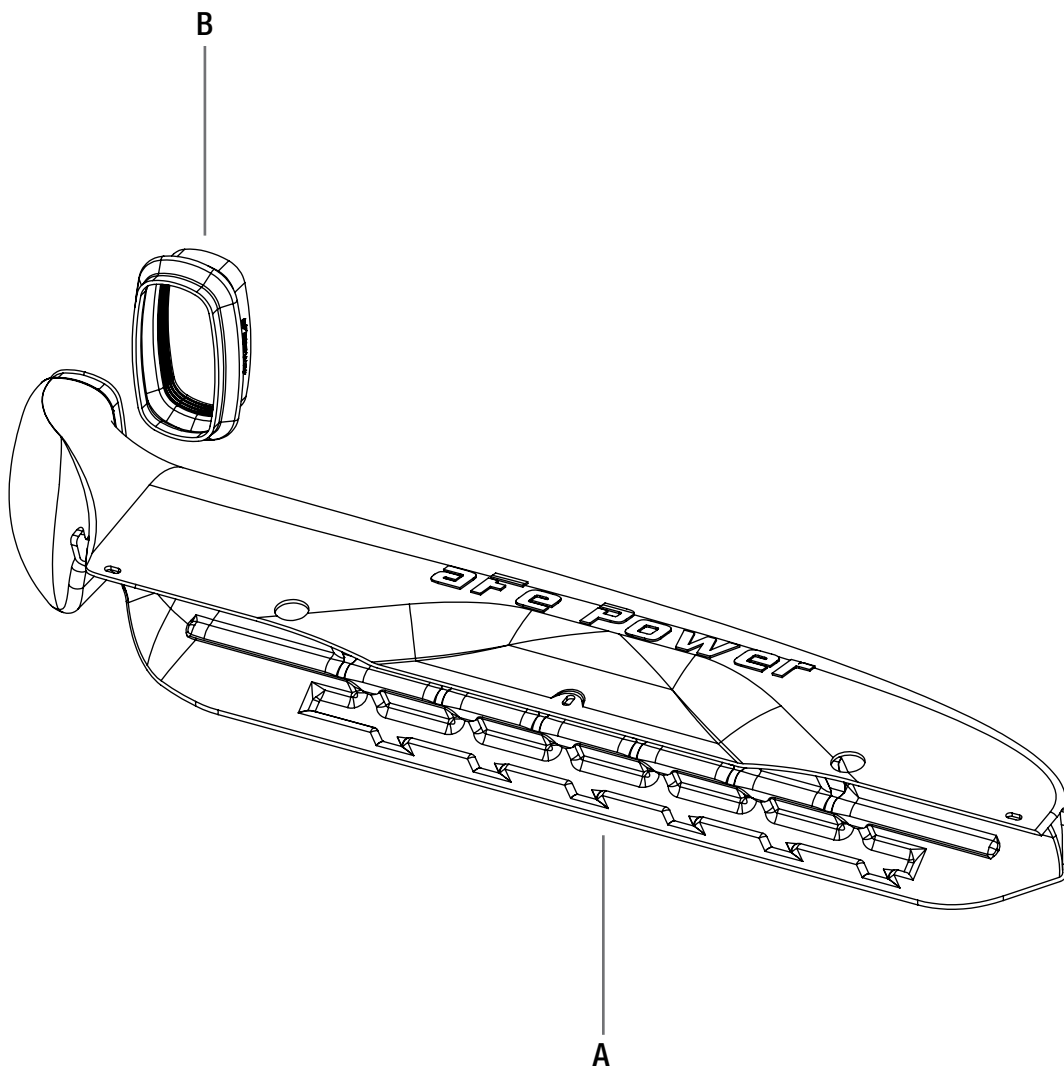


Retain factory parts for future use.

Label	Qty.	Description	Part Number
A	1	Scoop, Rotomold	05-76005B3
B	1	Coupling, Silicone Hump	05-01401

Installation will require the following tool(s):
Flathead screwdriver, Needle nose pliers.

Note: Legal in California for use on race vehicles only. The use of this device on vehicles used on public streets or highways is strictly prohibited in California and others states that have adopted California emission regulations.



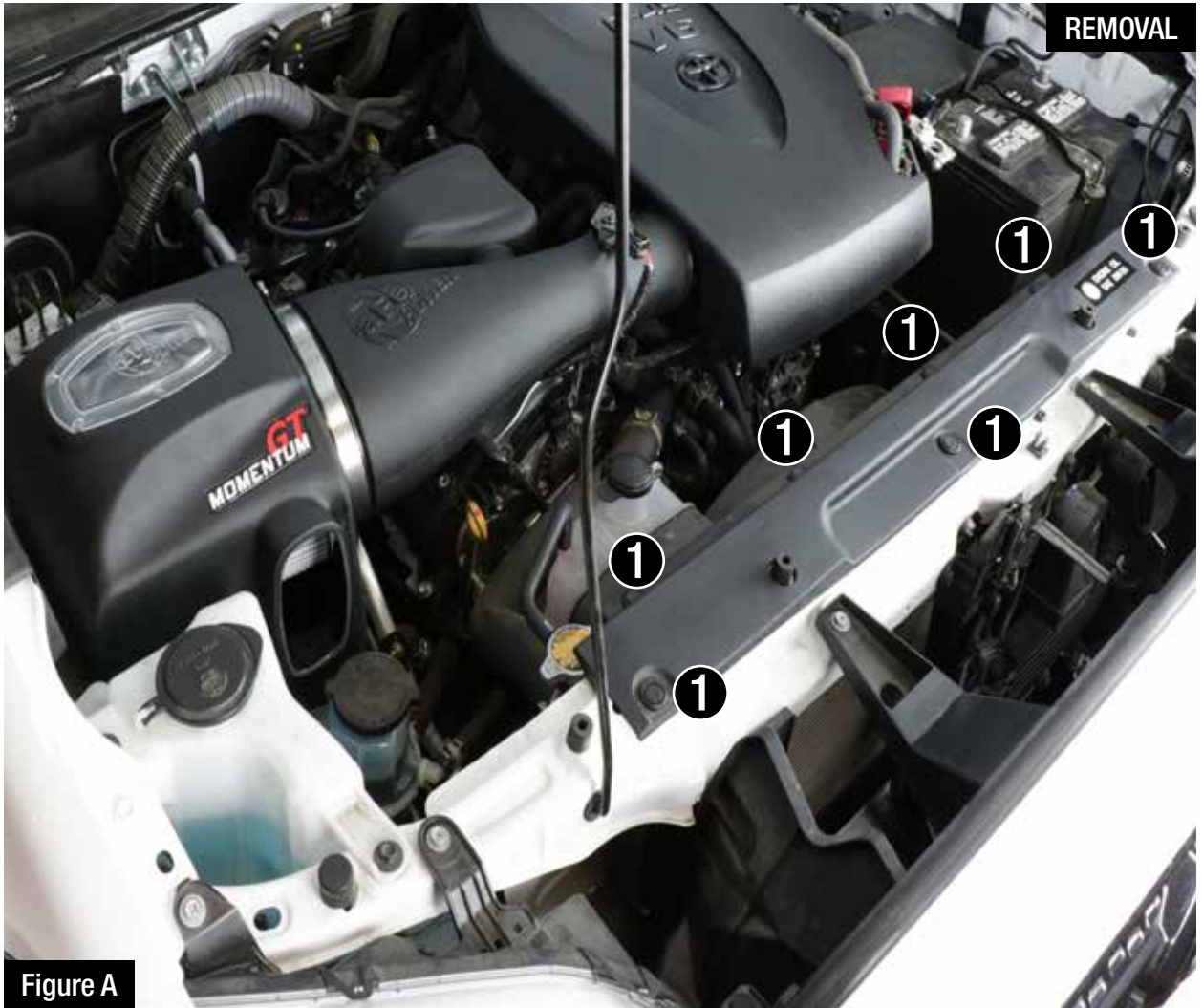


Figure A

Refer to Figure A for Step 1

Step 1: Gently remove the push clips ① from the OE plastic radiator support panel. Do this by popping the center pin up first, then pull the entire clip out. Repeat for each of the 7 clips.

NOTE: Be careful not to damage the clips as 3 will be reused.



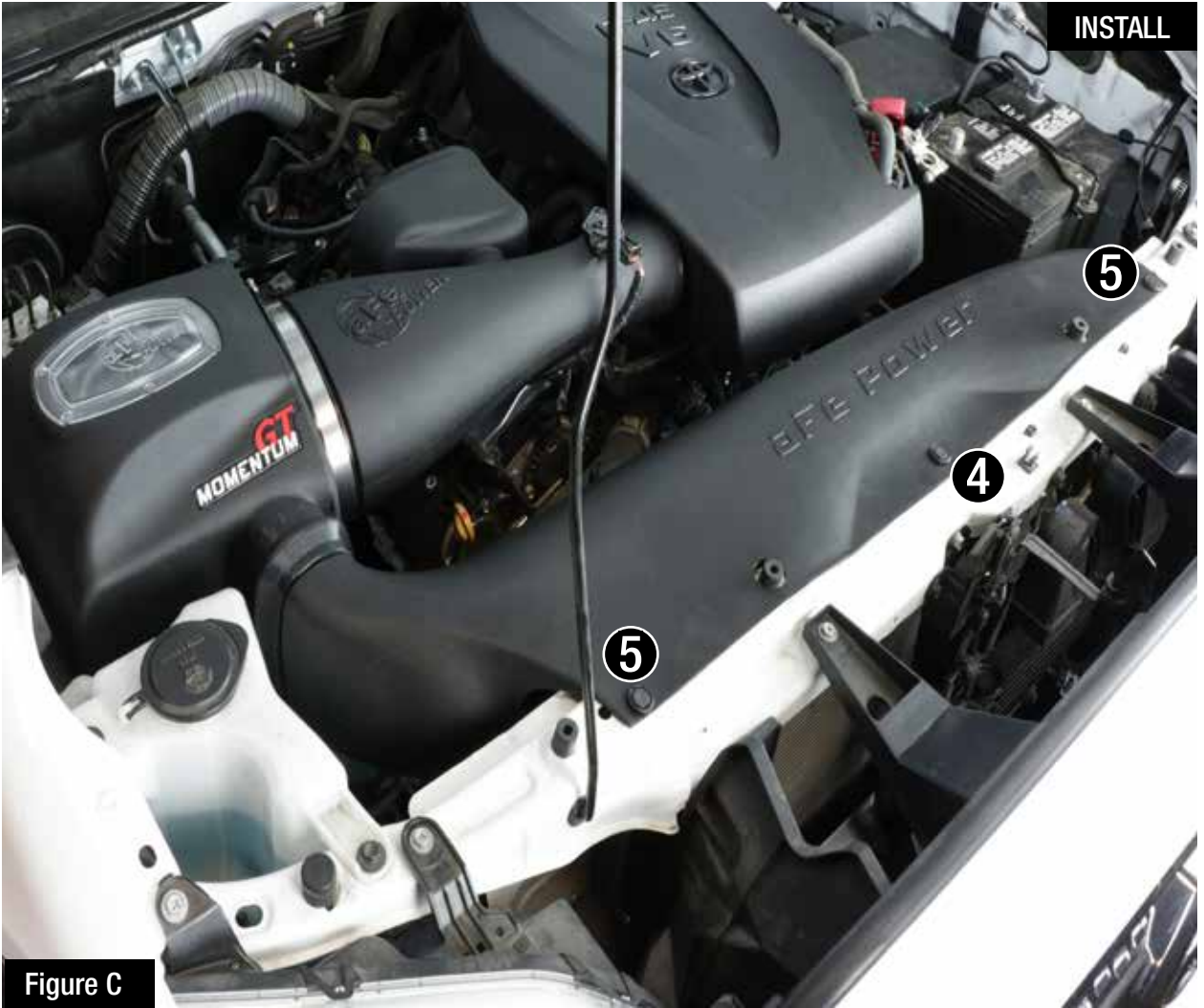
Figure B

Refer to Figure B for Steps 2-4

Step 2: First, lift and remove the OE plastic radiator support panel.

Step 3: With your flathead screwdriver, carefully press in on the side tabs then push the black plastic clip (2) through the metal support.

Step 4: Slide the provided silicone coupling (3) over the aFe air box as shown. The side with the internal ribs should go over the air box.

**Figure C****Refer to Figure C for Steps 5-9**

Step 5: Lower the scoop (passenger side first) into place over the OE plastic clip locations.

Step 6: While lowering the scoop in place, slip the scoop into the open side of the coupling.

Step 7: Locate the centermost slotted hole on the scoop and insert a push clip (4) at this time.

Step 8: Align the scoop with the remaining two slotted holes and insert a push clip in each (5).

Step 9: Double check that the coupling is seated all the way around both the air box and the scoop.

Your installation is now complete.

NOTE: Check all bolts, clamps, and connectors after 200 miles.

Page left blank intentionally



Page left blank intentionally



Air Intake System



P/N: 54-76005 (P5R)
51-76005 (PDS)
75-76005 (PG7)

Rear Shocks



P/N: 102-0052-01

Front Coilovers



P/N: 101-5200-03

Front Coilovers w/ Remote



P/N: 101-5600-15

Throttle Body Spacer



P/N: 46-38010

Cat-Back Exhaust System



P/N: 49-46026-B (Blk Tip)
49-46026-P (Pol Tip)

Side-Exit Exhaust System



P/N: 49-46032-B (Blk Tips)
49-46032-P (Pol Tips)

aFe T-Shirt



P/N: 40-30441-B (S)
40-30442-B (M)
40-30443-B (L)
40-30444-B (XL)
40-30445-B (2XL)
40-30446-B (3XL)

Sway-A-Way T-Shirt



P/N: 40-30471-B (S)
40-30472-B (M)
40-30473-B (L)
40-30474-B (XL)

To purchase any of the items above, view airflow charts, dyno graphs, photos, and video; please go to aFepower.com.

Warranty

General Terms:

- aFe warrants their products to be free from manufacturer's defects due to workmanship and material.
- This warranty applies only to the original purchaser of the product and is non-transferrable.
- Proof of purchase of the aFe product is required for all warranty claims.
- Warranty is valid provided aFe instructions for installation and/or cleaning were properly followed.
- Proper maintenance with regular inspections of product is required to insure warranty coverage.
- Damage due to improper installation, abuse, unauthorized repair or alteration is not warranted.
- Incidental or consequential damages or cost, including installation and removal of part, incurred due to failure of aFe product is not covered under this warranty.
- All warranty is limited to the repair and/or replacement of the aFe part. To request Return Goods Authorization ("RGA"), email RGA@afepower.com or call (951)493-7100. Upon receipt of the RGA, you must return the product to the address provided in the RGA, freight prepaid and accompanied with a dated proof of purchase and the RGA. Upon receipt of the defective product and upon verification of proof of purchase, aFe will either repair or replace the defective product within a reasonable time, not to exceed thirty days.

Product Category	P/N Prefix	Warranty duration
Direct OE Replacement Filters	10, 11, 30, 31, 71, 73	Life of the vehicle
Racing Filters	18	1 year
Universal	21, 24, 72, TF	2 years
Air Intake Systems	50, 51, 54, 55, 75, TR, TA, TL	2 years
Exhaust Systems	49	2 years
Intercoolers & Intercooler Tubes	46-2	2 years
Intake Manifolds	46-1	2 years
Differential Cover	46-7	Life of the vehicle
Exhaust Manifolds	46	2 years
Throttle Body Spacers	46-3	2 years
Turbochargers	46-6	2 years*
Fluid Filters	44	90 days
Pre-Filters	28	2 years
Heavy Duty OE Replacement	70	2 years
PowerSports OE Replacement	81, 87	2 years
PowerSports Intake Systems	85	2 years

No other warranty expressed or implied applies nor is any person or advanced FLOW engineering authorized to assume any other warranty. Some States do not allow the exclusion or limitation of incidental or consequential damages or do not allow limitations on how long an implied warranty lasts, so the above limitations or exclusions may not apply to you. This warranty gives you specific legal rights, and you may also have other rights which vary from State to State.

*See turbocharger warranty for more info



advanced FLOW engineering, inc.
252 Granite Street Corona, CA 92879
TEL: 951.493.7100