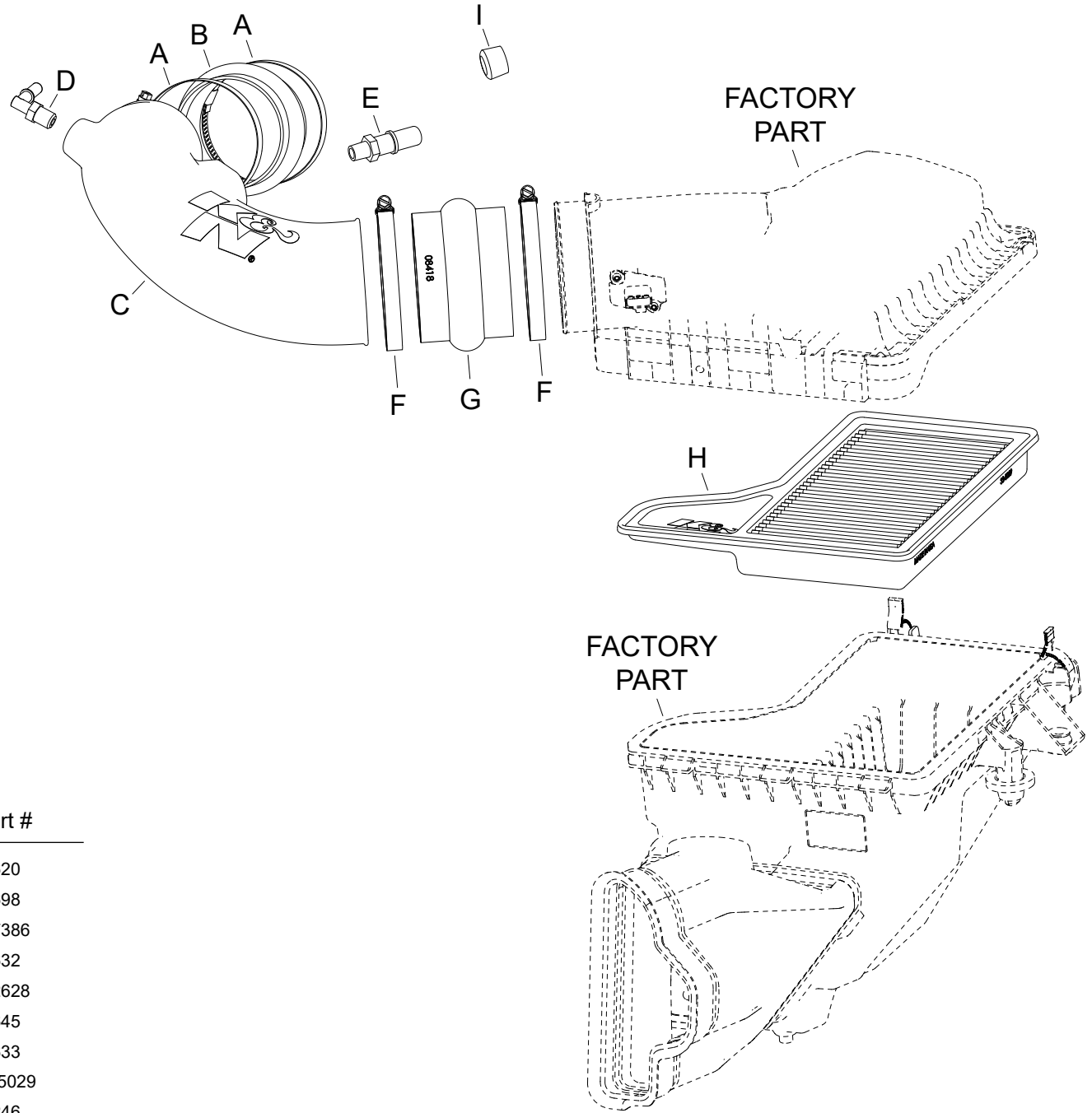




INTAKE SYSTEMS FOR VEHICLES LISTED ARE 50 STATE LEGAL. SEE KNFILTERS.COM FOR CARB STATUS ON EACH PART FOR A SPECIFIC VEHICLE.

# INSTALLATION INSTRUCTIONS

**57-2605**  
**FORD**  
**2018-19 Mustang GT**  
**V8-5.0L**



**TOOLS NEEDED:**

- ratchet
- extension
- 10mm socket
- flat blade screw driver

**PARTS LIST:**

Description	Qty.	Part #
A HOSE CLAMP #56	2	08620
B HOSE; HUMP 3.5"ID X 2.5"L	1	08698
C INTAKE TUBE	1	087386
D VENT; STRT, 1/4NPT QUICK	1	82632
E VENT; 1/4 NPT QUICK	1	082628
F HOSE CLAMP #64 STAINLESS	2	08645
G HOSE; HUMP 4"ID X 3"L	1	08633
H FILTER CHARGER	1	33-5029
I CAPLUG	1	08246

**If you need any assistance please call 1-800-858-3333 to speak with a representative in our Customer Service Center before returning the product.**

**NOTE: FAILURE TO FOLLOW INSTALLATION INSTRUCTIONS AND NOT USING THE PROVIDED HARDWARE MAY DAMAGE THE INTAKE TUBE, THROTTLE BODY AND ENGINE.**

**TO START:**

1. Turn off the ignition and disconnect the negative battery cable.  
**NOTE: Disconnecting the negative battery cable erases pre-programmed electronic memories. Write down all memory settings before disconnecting the negative battery cable. Some radios will require an anti-theft code to be entered after the battery is reconnected. The anti-theft code is typically supplied with your owner's manual. In the event your vehicles anti-theft code cannot be recovered, contact an authorized dealership to obtain your vehicles anti-theft code.**



2. Remove the four nuts that secure the strut brace and then remove the strut brace from the vehicle. Using a small screw driver, pop the two nut covers off the decorative engine cover and then remove the two nuts that secure the cover to the engine, then remove the cover.



3. Disconnect the EVAP, crank case and sound tube vent lines from the intake tube.



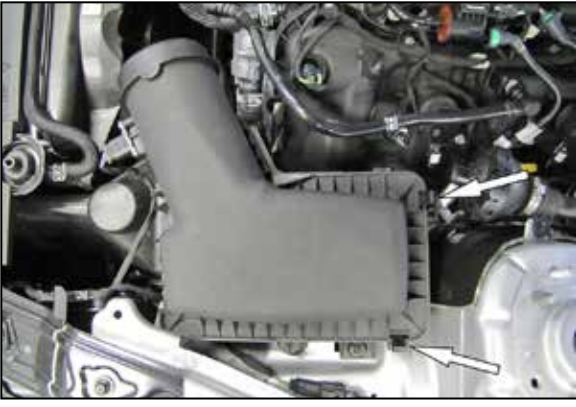
4. Loosen the hose clamps securing the factory intake tube and then remove the tube from the vehicle.  
**NOTE: K&N Engineering, Inc., recommends that customers do not discard factory air intake.**



5. Remove the clamp that secures the sound tube to the sound drum and then remove the sound drum.



6. Install the provided cap onto the sound drum.



7. Release the clips that secure the upper air filter housing, remove the housing and stock air filter.



8. Install the provided K&N® air filter and then reinstall the upper housing and secure with the factory clips.



9. Install the provided coupler hose (08698) onto the throttle body and secure with the provided hose clamp.



10. Install the provided coupler hose (08633) onto the air filter housing and secure with the provided hose clamp.



11. Install the provided vent fittings into the K&N® intake tube as shown.

**NOTE: Plastic NPT fittings are easy to cross thread. Install the vent fitting "hand" tight, then turn it two complete turns with a wrench.**



12. Install the K&N® intake tube assembly into the coupler hoses, adjust for best fit and then secure with the provided hose clamps. Connect the factory vent lines to the fittings installed into the intake tube.



13. Reinstall the decorative engine cover and strut bar, secure with the factory hardware. Reconnect the negative battery cable.



14. Reconnect the vehicle's negative battery cable. Double check to make sure everything is tight and properly positioned before starting the vehicle.

15. The C.A.R.B. exemption sticker, (attached), must be visible under the hood so that an emissions inspector can see it when the vehicle is required to be tested for emissions. California requires testing every two years, other states may vary.

16. It will be necessary for all K&N® high flow intake systems to be checked periodically for realignment, clearance and tightening of all connections. Failure to follow the above instructions or proper maintenance may void warranty.

#### ROAD TESTING:

1. Start the engine with the transmission in neutral or park, and the parking brake engaged. Listen for air leaks or odd noises. For air leaks secure hoses and connections. For odd noises, find cause and repair before proceeding. This kit will function identically to the factory system except for being louder and much more responsive.

2. Test drive the vehicle. Listen for odd noises or rattles and fix as necessary.

3. If road test is fine, you can now enjoy the added power and performance from your kit.

4. K&N Engineering, Inc., requires cleaning the intake system's air filter element every 100,000 miles. When used in dusty or off-road environments, our filters will require cleaning more often. We recommend that you visually inspect your filter once every 25,000 miles to determine if the screen is still visible. When the screen is no longer visible some place on the filter element, it is time to clean it. To clean and re-oil, purchase our filter Recharger® service kit, part number 99-5050 or 99-5000 and follow the easy instructions.

**INTAKE SYSTEMS FOR VEHICLES LISTED ARE 50 STATE LEGAL. SEE KNFILTERS.COM FOR CARB STATUS ON EACH PART FOR A SPECIFIC VEHICLE.**