

**advanced FLOW engineering**

**Instruction Manual P/N: 58-10004D/58-10004R**

Make: **BMW** Model: **M2 (F87)**

Make: **BMW** Model: **335i/ix (F30/F34)**

Make: **BMW** Model: **435i/ix (F32/F33/F36)**

Make: **BMW** Model: **M135i/ix/M235i (F20/F21/F22)**

Year: **2016-2018** Engine: **L6-3.0L (t) N55**

Year: **2012-2015** Engine: **L6-3.0L (t) N55**

Year: **2014-2016** Engine: **L6-3.0L (t) N55**

Year: **2012-2016** Engine: **L6-3.0L (t) N55**

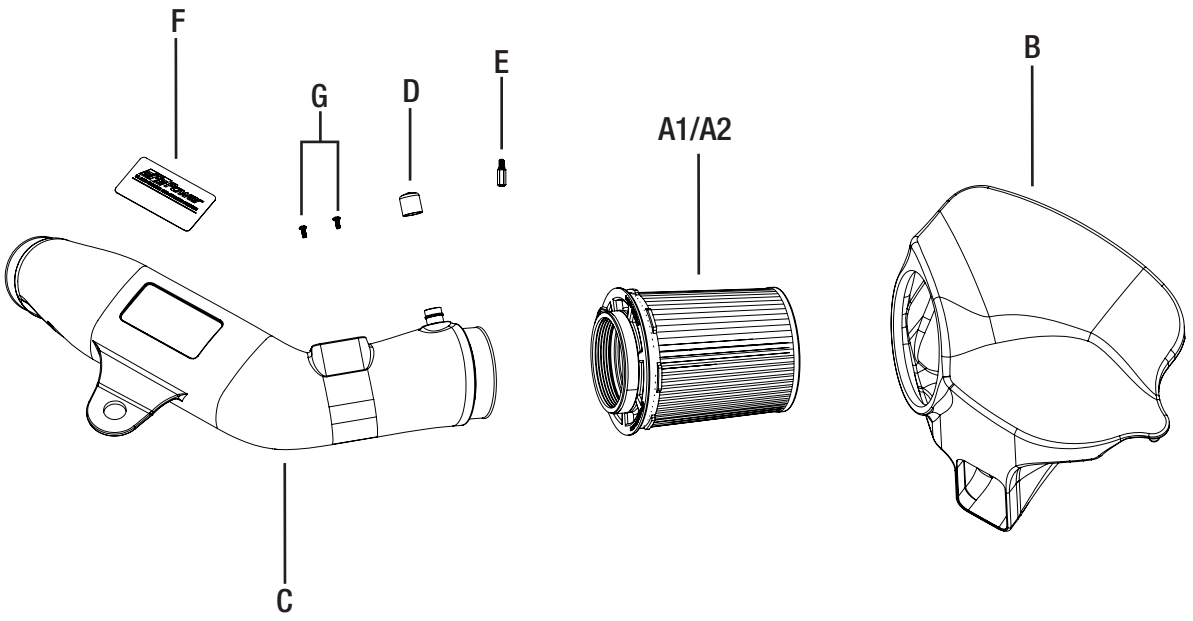


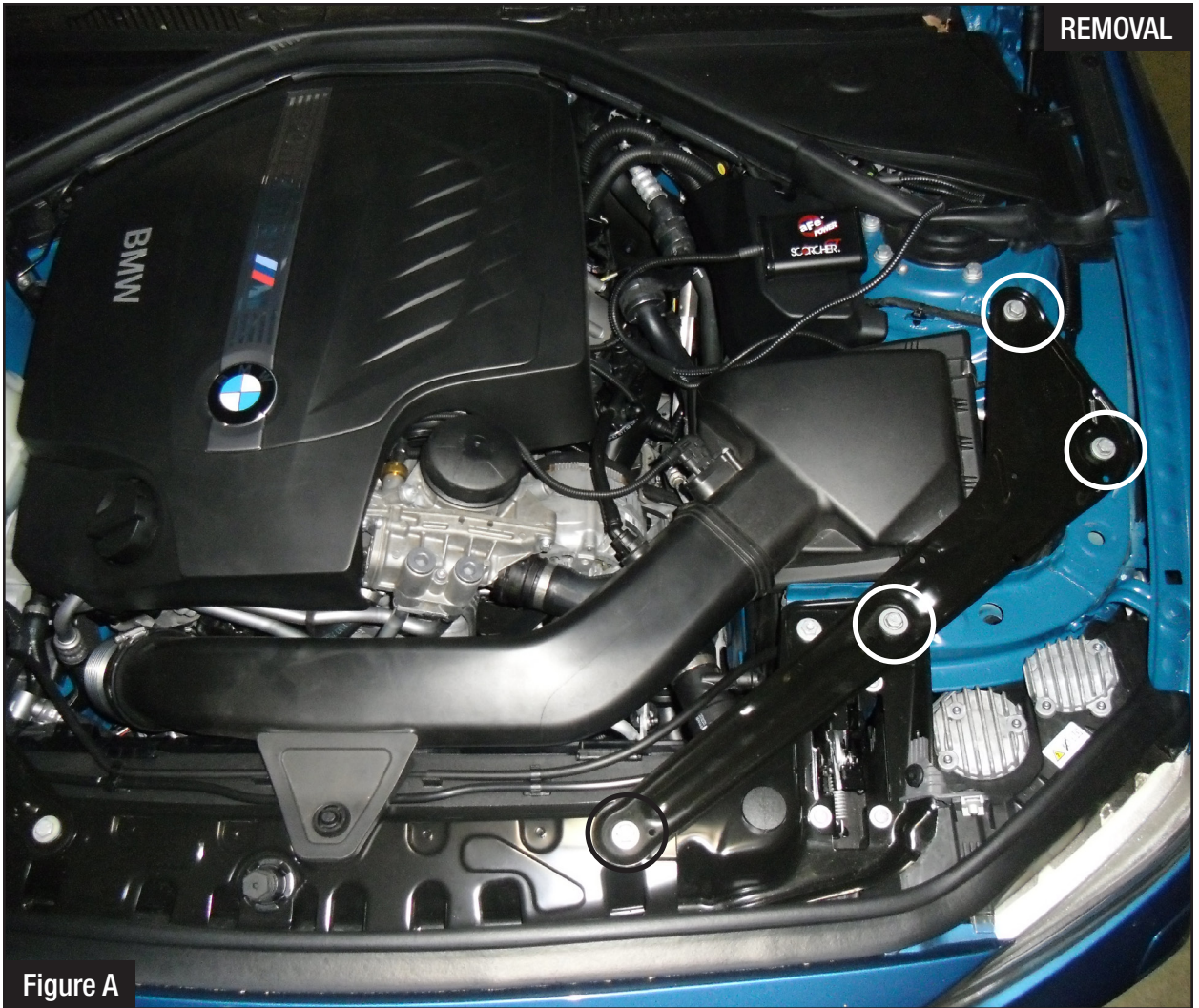
- Please read the entire instruction manual before proceeding.
- Ensure all components listed are present.
- If you are missing any of the components, call customer support at 951-493-7100.
- Ensure you have all necessary tools before proceeding.
- Do not attempt to work on your vehicle when the engine is hot.
- Disconnect the negative battery terminal before proceeding.
- Retain factory parts for future use.

Label	Qty.	Description	Part Number
A1	1	Air Filter (Pro DRY S For 58-10004D)	21-91108
A2	1	Air Filter (Pro 5R For 58-10004R)	24-91108
B	1	Housing, Carbon Fiber	05-76311C2
C	1	Tube, Carbon Fiber	05-82202C1
D	1	Cap, Vinyl: 3/4" ID	03-50035
E	1	Torx Bit: T20	03-50066
F	1	Black Series Plate	06-00142
G	2	Screw, Torx: M4	03-50490

Tools needed: 7mm, 8mm Nut driver, 10mm Nut Driver, 1/4" Ratchet, 10mm, 13mm Socket, Flathead Screw Driver, Pliers.

Note: Legal in California for use on race vehicles only. The use of this device on vehicles used on public streets or highways is strictly prohibited in California and others states that have adopted California emission regulations.





**Refer to Figure A for Step 1**

Step 1: If your vehicle is equipped with a brace, take it off by removing the four 13mm bolts.





Figure B

**Refer to Figure B for Steps 2-5**

Step 2: Disconnect the MAF sensor.

Step 3: Unplug the vacuum line (if your vehicle is equipped with one)

Step 4: Loosen the clamp on factory intake tube.

Step 5: Remove the factory intake system out of the vehicle by pulling it off the mounting grommets.

**Figure C****Refer to Figure C for Steps 6-8**

- Step 6: Remove the MAF sensor off the factory intake using the furnished T20 torx and install onto aFePower intake tube with the furnished screws.
- Step 7: Remove OE grommet off intake tube and install on aFe intake tube.
- Step 8: For vehicle not equipped with vacuum line, simply cap off the aluminum fitting on the tube with the provided cap.

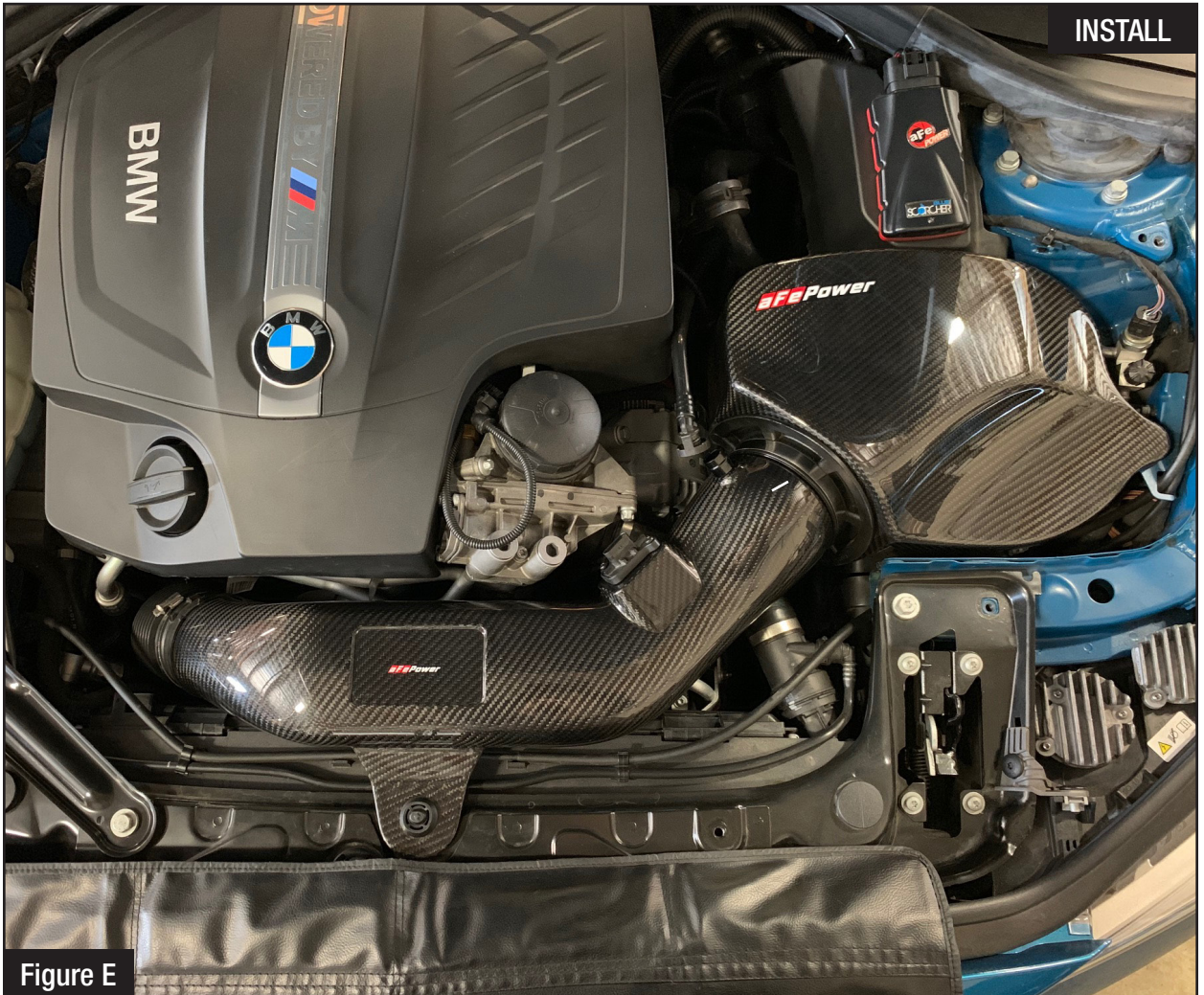




Figure D

**Refer to Figure D for Step 9**

Step 9: Install the aFePower air filter into the housing. Push it firmly until it lock into place.



**Refer to Figure E for Steps 10-11**

Step 10: Install the aFePower housing in the vehicle by pushing it into the factory grommets. Make sure housing line up to the factory air inlet duct.

Step 11: Slide the aFePower intake tube into factory inlet tube and into the aFePower filter. Then push the grommet in the mounting location. Align tube correctly and tighten all clamps.





### **Refer to Figure F for Steps 12-16**

Step 12: Lift up the engine cover and re-route the MAF harness around the oil filter housing. Then re-connect it to the MAF sensor.

Step 13: Re-connect the vacuum line to aluminum fitting (automatic vehicle only)

Step 14: Re-install the factory brace with the four 13mm bolts.

Step 15: Place the Black Series Plate into the recess location on the tube.

Step 16: Verify all clamps are secure and re-check periodically. Your Installation is now complete.



Pro DRY S Air Filter



P/N: 21-91108

Pro 5R Air Filter



P/N: 24-91108

Pro DRY S Restore Kit



P/N: 90-59999

Blue Squeeze Restore Kit



P/N: 90-50501

Blue Aerosol Restore Kit



P/N: 90-50001

Twisted Steel Down-Pipe



P/N: 48-36316-HC (Street)  
48-36316-HN (Race)

Exhaust System



P/N: 49-36330-C (C/F Tips)  
49-36330-B (Blk Tips)  
49-36330-P (Pol Tips)

Axle-Back Exhaust System



P/N: 49-36333-C (C/F Tips)  
49-36333-B (Blk Tips)  
49-36333-P (Pol Tips)

Dynamic Air Scoop



P/N: 54-12208 (Black)  
54-12208-C (C/F)

Sprint Booster



P/N: 77-16302

Intercooler w/ Tube



P/N: 46-20272-B

Coilovers



P/N: 430-503001-N

To purchase any of the items above, view airflow charts, dyno graphs, photos, and video; please go to [aFepower.com](http://aFepower.com).

# Warranty

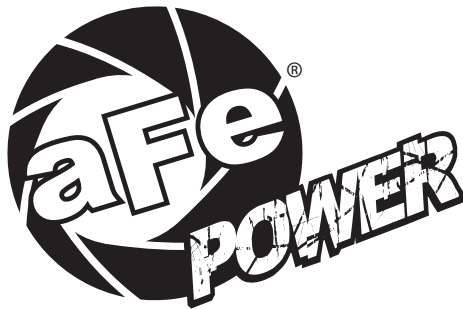
## General Terms:

- aFe warrants their products to be free from manufacturer's defects due to workmanship and material.
- This warranty applies only to the original purchaser of the product and is nontransferable.
- Proof of purchase of the aFe product is required for all warranty claims.
- Warranty is valid provided aFe instructions for installation and/or cleaning were properly followed.
- Proper maintenance with regular inspections of product is required to insure warranty coverage.
- Damage due to improper installation, abuse, unauthorized repair or alteration is not warranted.
- Incidental or consequential damages or cost, including installation and removal of part, incurred due to failure of aFe product is not covered under this warranty.
- All warranty is limited to the repair and/or replacement of the aFe part. To request Return Goods Authorization ("RGA"), email [RGA@afepower.com](mailto:RGA@afepower.com) or call (951)493-7100. Upon receipt of the RGA, you must return the product to the address provided in the RGA, freight prepaid and accompanied with a dated proof of purchase and the RGA. Upon receipt of the defective product and upon verification of proof of purchase, aFe will either repair or replace the defective product within a reasonable time, not to exceed thirty days.

<b>Product Category</b>	<b>P/N Prefix</b>	<b>Warranty duration</b>
Direct OE Replacement Filters	10, 11, 30, 31, 71, 73	Life of the vehicle
Racing Filters	18	1 year
Universal	21, 24, 72	2 years
Air Intake Systems	50, 51, 54, 55, 58, 75	2 years
Exhaust Systems	49	2 years
Intercoolers & Intercooler Tubes	46-2	2 years
Intake Manifolds	46-1	2 years
Differential Cover	46-7	Life of the vehicle
Exhaust Manifolds	46	2 years
Throttle Body Spacers	46-3	2 years
Fluid Filters	44	90 days
Pre-Filters	28	2 years
Heavy Duty OE Replacement	70	2 years
PowerSports OE Replacement	81, 87	2 years
PowerSports Intake Systems	85	2 years

No other warranty expressed or implied applies nor is any person or advanced FLOW engineering authorized to assume any other warranty. Some States do not allow the exclusion or limitation of incidental or consequential damages or do not allow limitations on how long an implied warranty lasts, so the above limitations or exclusions may not apply to you. This warranty gives you specific legal rights, and you may also have other rights which vary from State to State.





**advanced FLOW engineering, inc.**  
252 Granite Street Corona, CA 92879  
TEL: 951.493.7100 • TECH: 951.493.7134  
E-Mail: [Tech@aFepower.com](mailto:Tech@aFepower.com)