



AIRCHARGER®

HIGH-FLOW INTAKE KITS

NOT LEGAL FOR SALE OR USE ON ANY POLLUTION CONTROLLED MOTOR VEHICLE IN CALIFORNIA OR STATES ADOPTING CALIFORNIA EMISSION PROCEDURES.

See knfilters.com for CARB status on each part for a specific vehicle

INSTALLATION INSTRUCTIONS

63-1132

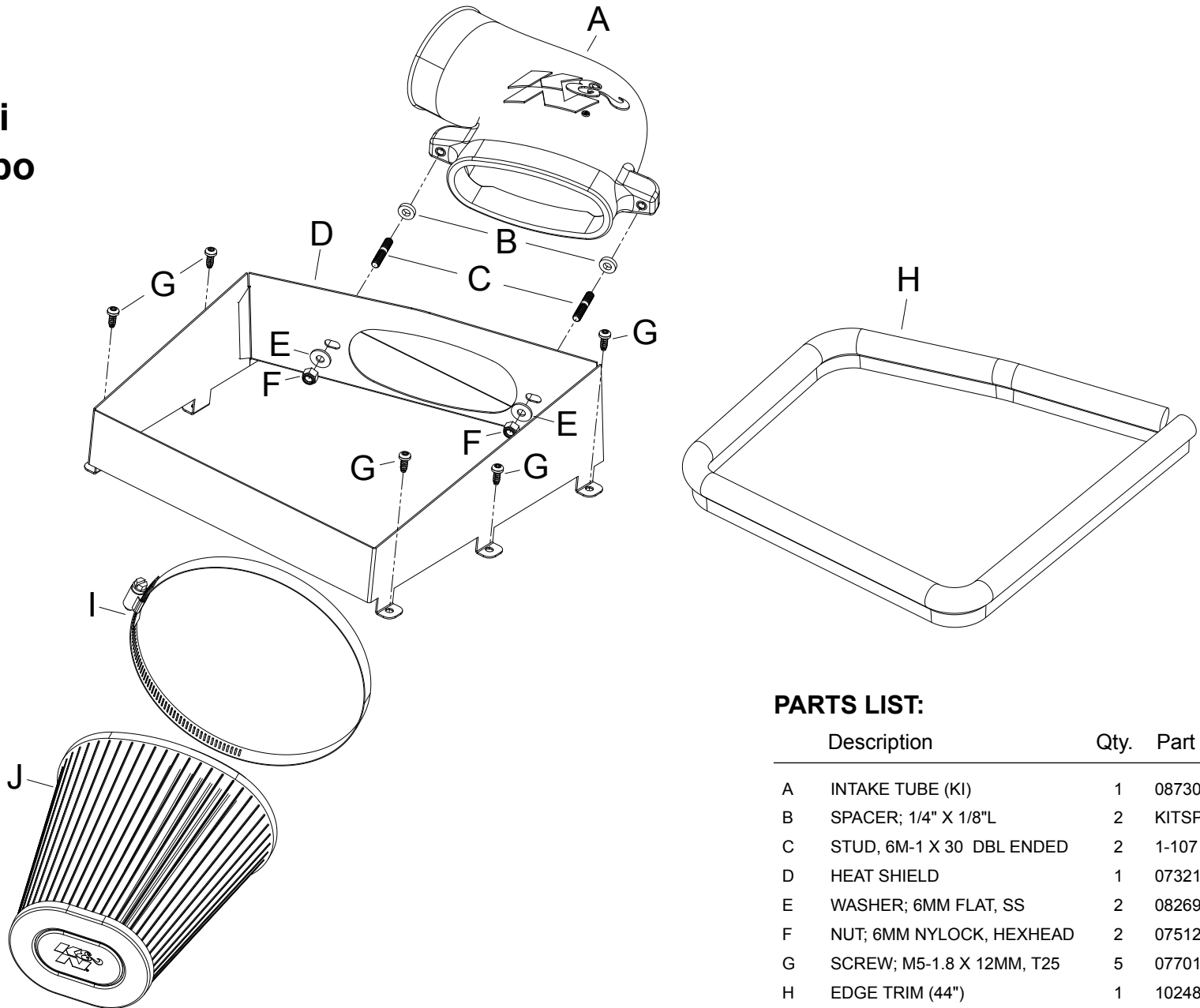
BMW

2011-16 535i

L6-3.0L Turbo

TOOLS NEEDED:

- ratchet extension
- 10mm socket
- flat blade screw driver
- t20 torx
- t25 torx
- pliers



PARTS LIST:

Description	Qty.	Part #
A INTAKE TUBE (KI)	1	087303A
B SPACER; 1/4" X 1/8"L	2	KITSPACER07
C STUD, 6M-1 X 30 DBL ENDED	2	1-107
D HEAT SHIELD	1	073211
E WASHER; 6MM FLAT, SS	2	08269
F NUT; 6MM NYLOCK, HEXHEAD	2	07512
G SCREW; M5-1.8 X 12MM, T25	5	077010
H EDGE TRIM (44")	1	102486
I HOSE CLAMP #64	1	08645
J AIR FILTER	1	RC-5063

If you need any assistance please call 1-800-858-3333 to speak with a representative in our Customer Service Center before returning the product.

NOTE: FAILURE TO FOLLOW INSTALLATION INSTRUCTIONS AND NOT USING THE PROVIDED HARDWARE MAY DAMAGE THE INTAKE TUBE, THROTTLE BODY AND ENGINE.

TO START:

- Turn off the ignition and disconnect the negative battery cable.
NOTE: Disconnecting the negative battery cable erases pre-programmed electronic memories. Write down all memory settings before disconnecting the negative battery cable. Some radios will require an anti-theft code to be entered after the battery is reconnected. The anti-theft code is typically supplied with your owner's manual. In the event your vehicles anti-theft code cannot be recovered, contact an authorized dealership to obtain your vehicles anti-theft code.



- Loosen the hose clamp securing the upper air filter housing to the intake tube.



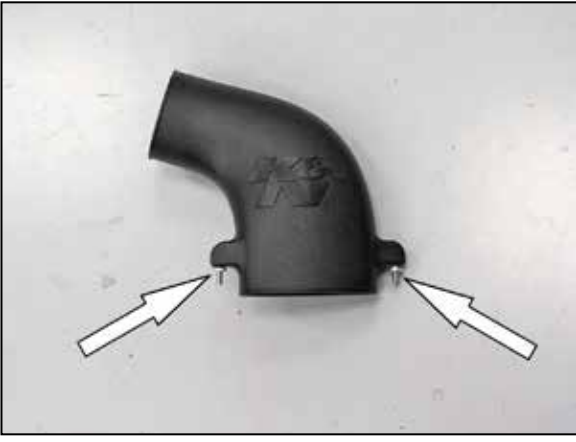
- Loosen the six screws that secure the upper air filter housing to the lower housing, then remove the upper housing and factory air filter from the vehicle
NOTE: K&N Engineering, Inc., recommends that customers do not discard factory air intake.



- Install the provided edge trim onto the heat shield as shown.
NOTE: Some trimming of the edge trim will be necessary.



- Install the heat shield assembly onto the lower air filter housing and secure with the provided mounting screws.



6. Install the two provided studs and spacers onto the K&N® intake tube as shown.



7. Install the K&N® intake tube assembly into the heat shield and intake tube as shown. Secure the intake tube with the provided hardware and the factory hose clamp.



8. Install the K&N® air filter onto the intake tube and secure with the provided hose clamp.



9. Reconnect the vehicle's negative battery cable. Double check to make sure everything is tight and properly positioned before starting the vehicle.

10. It will be necessary for all K&N® high flow intake systems to be checked periodically for realignment, clearance and tightening of all connections. Failure to follow the above instructions or proper maintenance may void warranty.

ROAD TESTING:

1. Start the engine with the transmission in neutral or park, and the parking brake engaged. Listen for air leaks or odd noises. For air leaks secure hoses and connections. For odd noises, find cause and repair before proceeding. This kit will function identically to the factory system except for being louder and much more responsive.

2. Test drive the vehicle. Listen for odd noises or rattles and fix as necessary.

3. If road test is fine, you can now enjoy the added power and performance from your kit.

4. K&N Engineering, Inc., requires cleaning the intake system's air filter element every 100,000 miles. When used in dusty or off-road environments, our filters will require cleaning more often. We recommend that you visually inspect your filter once every 25,000 miles to determine if the screen is still visible. When the screen is no longer visible some place on the filter element, it is time to clean it. To clean and re-oil, purchase our filter Recharger® service kit, part number 99-5050 or 99-5000 and follow the easy instructions.

NOT LEGAL FOR SALE OR USE ON ANY POLLUTION CONTROLLED MOTOR VEHICLE IN CALIFORNIA OR STATES ADOPTING CALIFORNIA EMISSION PROCEDURES.

See knfilters.com for CARB status on each part for a specific vehicle