

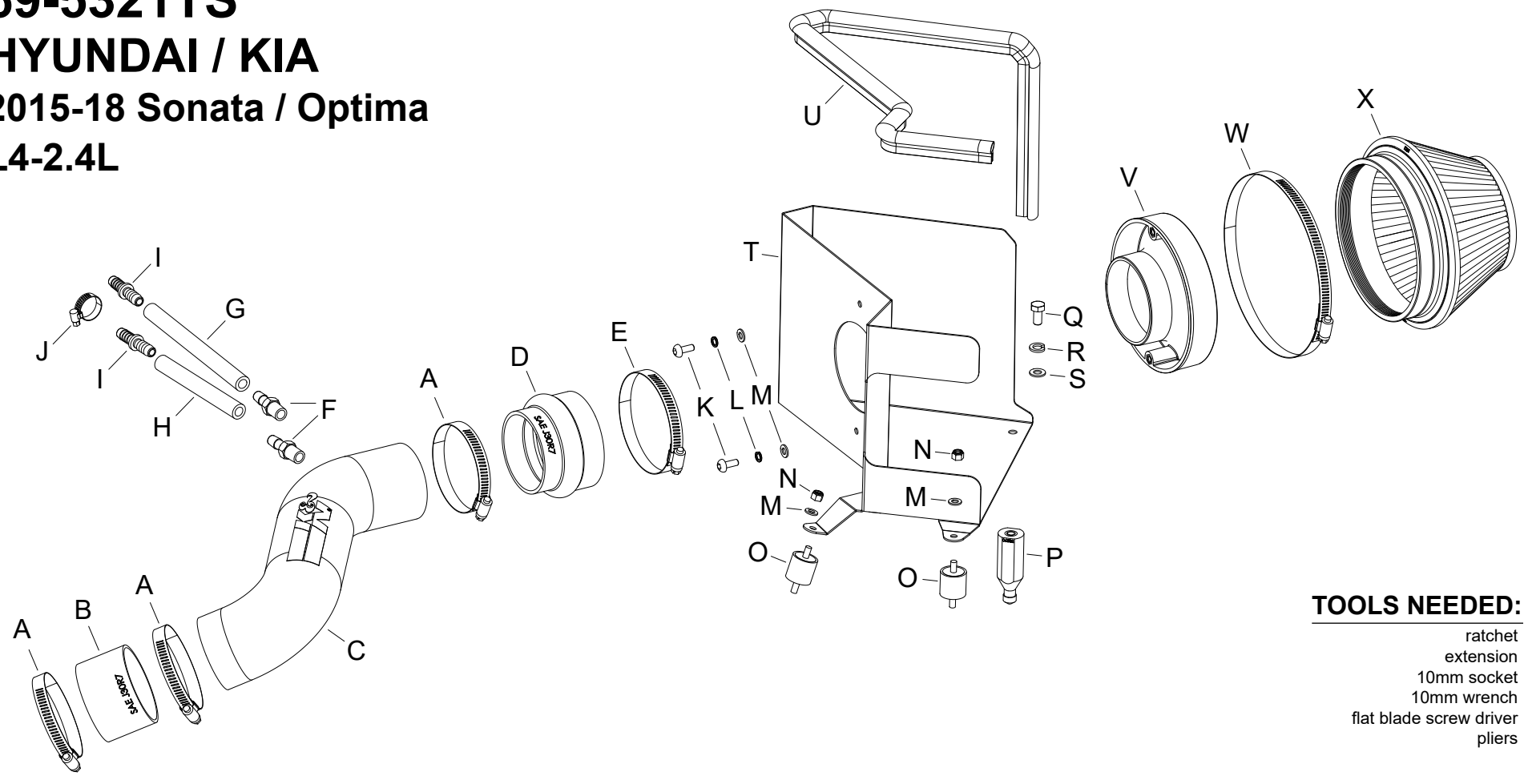


TYPHOON INTAKE SYSTEMS

NOT LEGAL FOR SALE OR USE ON ANY POLLUTION CONTROLLED MOTOR VEHICLE IN CALIFORNIA OR STATES ADOPTING CALIFORNIA EMISSION PROCEDURES.
See knfilters.com for CARB status on each part for a specific vehicle

INSTALLATION INSTRUCTIONS

69-5321TS
HYUNDAI / KIA
2015-18 Sonata / Optima
L4-2.4L



- TOOLS NEEDED:**
- ratchet
 - extension
 - 10mm socket
 - 10mm wrench
 - flat blade screw driver
 - pliers

PARTS LIST:

Description	Qty.	Part #	Description	Qty.	Part #	Description	Qty.	Part #
A HOSE CLAMP #48	3	08601	I VENT; STRT, 3/8"HOSE - 3/8"	2	08041	Q BOLT; 8MM-1.25 X 20MM HEX	1	07787
B HOSE; 3" ID X 2"L REIN	1	08711	J HOSE CLAMP #004	1	21850	R WASHER, M8 SPLIT LOCK ZINC	1	1-3036
C TUBE; 3"OD X 15"L, AL, SILVER	1	25809S	K BOLT; M6 X 1.00 X 16MM, SS	2	07730	S WASHER; 8MM, FLAT, SS	1	08272
D HOSE; HUMP 3.5" TO 3"ID	1	084079	L WASHER, M6 SPLIT LOCK ZINC	2	1-3025	T HEAT SHIELD, 69-5321, MILD	1	073269
E HOSE CLAMP #56	1	08620	M WASHER; 6MM FLAT, SS	4	08269	U EDGE TRIM; 3/4 BULB, TOP	1	102471
F FITTING; VENT, STRT, 3/8"	2	08047	N NUT; 6MM NYLOCK, HEXHEAD	2	07512	V ADAPTER; UNIVERSAL, 6"	1	21512-1
G HOSE; 3/8"ID X 7"L	1	5-1007	O MOUNT; RUBBER 1" X 6MM	2	1228599	W HOSE CLAMP; #104	1	08697
H HOSE; 3/8"ID X 5"L	1	08717	P STANDOFF; 6.0 FORD AIRBOX	1	06532	X 6"FLG, 7-1/2"B, 4-1/2"T, 4"H	1	RU-4600

If you need any assistance please call 1-800-858-3333 to speak with a representative in our Customer Service Center before returning the product.

NOTE: FAILURE TO FOLLOW INSTALLATION INSTRUCTIONS AND NOT USING THE PROVIDED HARDWARE MAY DAMAGE THE INTAKE TUBE, THROTTLE BODY AND ENGINE.

TO START:

1. Turn off the ignition and disconnect the negative battery cable.
NOTE: Disconnecting the negative battery cable erases pre-programmed electronic memories. Write down all memory settings before disconnecting the negative battery cable. Some radios will require an anti-theft code to be entered after the battery is reconnected. The anti-theft code is typically supplied with your owner's manual. In the event your vehicles anti-theft code cannot be recovered, contact an authorized dealership to obtain your vehicles anti-theft code.



2. Lift off the decorative engine cover. Remove the fresh air intake duct from the factory air filter housing and core support.



3. Disconnect the breather hoses from the factory intake tube and the intake plenum.



4. Loosen the two hose clamps that secure the factory intake tube and then remove the intake tube from the vehicle.



5. Remove the two bolts that secure the factory air filter housing and then lift to remove the factory air filter housing from the vehicle.

NOTE: K&N Engineering, Inc., recommends that customers do not discard factory air intake.



6. Install the provided coupler (08711) into the throttle body and secure with the provided hose clamp.



7. Install the two rubber mounted studs into the factory air filter housing mounting locations.



8. Install the filter adapter into the heat shield and secure with the provided hardware. Install the heat shield mount onto the heat shield using the provided hardware.



9. Install the provided edge trim onto the heat shield as shown, then install the K&N® air filter onto the filter adapter and secure with the provided hardware.



10. Install the heat shield assembly into the vehicle and secure to the rubber mounted studs with the provided hardware.



11. Assemble the K&N® intake tube, Breather hoses and fittings as shown.

NOTE: Plastic NPT fittings are easy to cross thread. Install the vent fitting "hand" tight, then turn it two complete turns with a wrench.



12. Using the provided coupler hose (084079) Install the K&N® intake tube into the vehicle, adjust the tube for best fit and then secure with the provided hose clamps.

NOTE: It may be necessary to loosen the battery to provide clearance for the intake tube.



13. Connect the factory vent lines to the hoses connected to the K&N® intake tube.



14. Reinstall the decorative engine cover. Install the factory fresh air intake duct into the K&N® heat shield and core support.



15. Reconnect the vehicle's negative battery cable. Double check to make sure everything is tight and properly positioned before starting the vehicle.

16. It will be necessary for all K&N® high flow intake systems to be checked periodically for realignment, clearance and tightening of all connections. Failure to follow the above instructions or proper maintenance may void warranty.

ROAD TESTING:

1. Start the engine with the transmission in neutral or park, and the parking brake engaged. Listen for air leaks or odd noises. For air leaks secure hoses and connections. For odd noises, find cause and repair before proceeding. This kit will function identically to the factory system except for being louder and much more responsive.

2. Test drive the vehicle. Listen for odd noises or rattles and fix as necessary.

3. If road test is fine, you can now enjoy the added power and performance from your kit.

4. K&N Engineering, Inc., requires cleaning the intake system's air filter element every 100,000 miles. When used in dusty or off-road environments, our filters will require cleaning more often. We recommend that you visually inspect your filter once every 25,000 miles to determine if the screen is still visible. When the screen is no longer visible some place on the filter element, it is time to clean it. To clean and re-oil, purchase our filter Recharger® service kit, part number 99-5050 or 99-5000 and follow the easy instructions.

NOT LEGAL FOR SALE OR USE ON ANY POLLUTION CONTROLLED MOTOR VEHICLE IN CALIFORNIA OR STATES ADOPTING CALIFORNIA EMISSION PROCEDURES.

See knfilters.com for CARB status on each part for a specific vehicle