



INTAKE SYSTEMS FOR VEHICLES LISTED ARE 50 STATE LEGAL. SEE KNFILTERS.COM FOR CARB STATUS ON EACH PART FOR A SPECIFIC VEHICLE.

INSTALLATION INSTRUCTIONS

71-2545

DODGE / CHRYSLER

2012-15 Charger SRT8

2011-14 Challenger SRT8

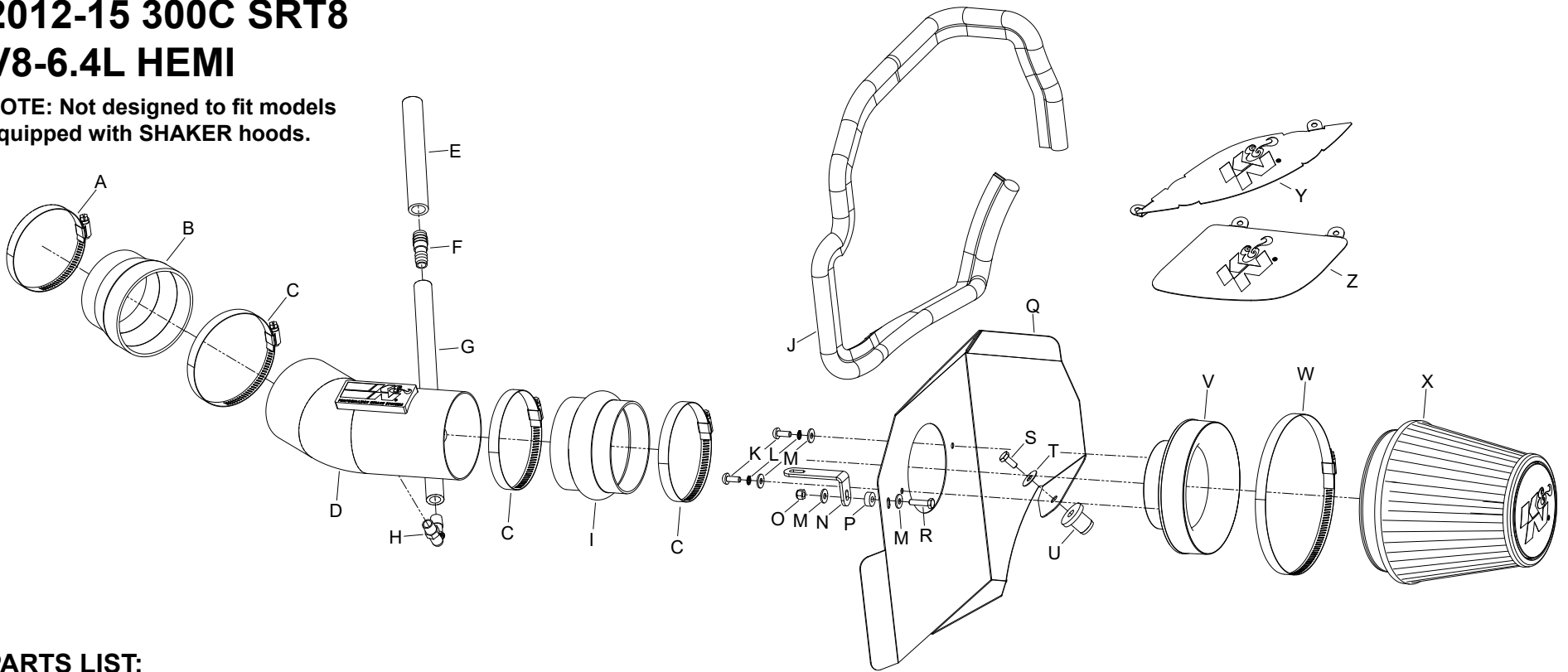
2012-15 300C SRT8

V8-6.4L HEMI

NOTE: Not designed to fit models equipped with SHAKER hoods.

TOOLS NEEDED:

- 4mm Allen Wrench
- 10mm Socket
- 14mm Socket
- 10mm Wrench
- Extension
- Flat Blade Screwdriver
- Ratchet



PARTS LIST:

Description	Qty.	Part #	Description	Qty.	Part #	Description	Qty.	Part #
A HOSE CLAMP #56, BLACK ZINC	1	08620K	I HOSE; 4"ID X 3"L HUMP	1	08418	R BOLT; M6-1.00 X 25MM, SS	1	07858
B HOSE; 4"ID TO 3.5" X 3"L TPRD	1	08497	J EDGE TRIM	1	102485	S BOLT; 3/8" -16 X 1-1/4"L SS HEX	1	07779
C HOSE CLAMP #64, BLACK ZINC	3	08645K	K BOLT; M6 X 1.00 X 16MM, SS	2	07730	T WASHER; 3/8" FLAT WASHER	1	08134
D INTAKE TUBE	1	27592TK	L WASHER; M6 SPLIT LOCK ZINC	2	1-3025	U INSERT; 3/8-16 X 3/400 X 15/16L	1	08163
E HOSE; 3/4"ID X 6"L, BLACK	1	5-4006	M WASHER; 6MM FLAT, SS	4	08269	V ADAPTOR	1	27300
F HOSE MENDER; 1/2" TO 3/4"	1	8-146	N BRACKET; 57-3017, "L", FIN.	1	070742	W HOSE CLAMP #104	1	08697K
G HOSE; 1/2" ID X 12"L	1	087031	O NUT; 6MM NYLOCK, HEXHEAD	1	07512	X AIR FILTER	1	RU-3102-HBK
H VENT; 90DEG, 1/2" HOSE	1	08110FK	P SPACER; .625" OD X .250"ID	1	06555	Y BLOCK OFF	1	073226
			Q HEAT SHIELD	1	074098	Z BLOCK OFF	1	073229

If you need any assistance please call 1-800-858-3333 to speak with a representative in our Customer Service Center before returning the product.

NOTE: FAILURE TO FOLLOW INSTALLATION INSTRUCTIONS AND NOT USING THE PROVIDED HARDWARE MAY DAMAGE THE INTAKE TUBE, THROTTLE BODY AND ENGINE.

TO START:

1. Turn off the ignition and disconnect the negative battery cable.
NOTE: Disconnecting the negative battery cable erases pre-programmed electronic memories. Write down all memory settings before disconnecting the negative battery cable. Some radios will require an anti-theft code to be entered after the battery is reconnected. The anti-theft code is typically supplied with your owner's manual. In the event your vehicles' anti-theft code cannot be recovered, contact an authorized dealership to obtain your vehicles anti-theft code.



2. Disconnect the inlet air temperature air sensor electrical connection.



3. Lift up and remove the driver side ignition coil cover as shown.



4. Disconnect the crank case vent hose from the valve cover.



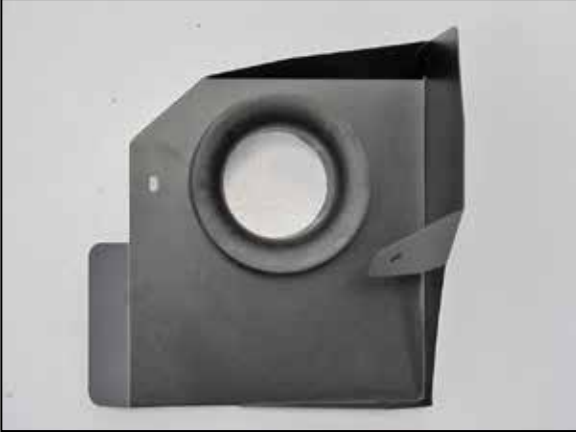
5. Loosen the hose clamp securing the intake tube to the throttle body.



6. Remove the bolt which secures the air box to the core support.



7. Lift up and remove the complete intake track from the vehicle.



8. Install the filter adapter into the heat shield and secure with the provided hardware.



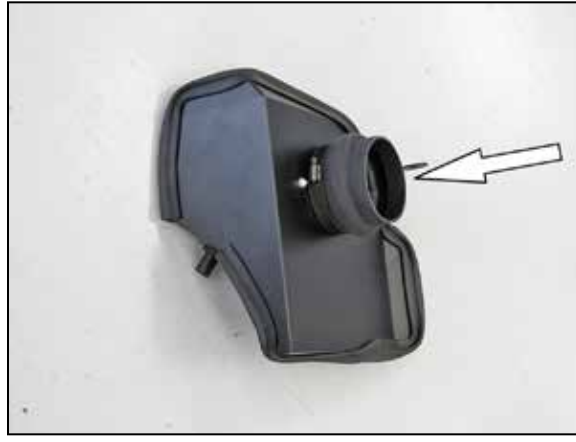
9. Install the provided heat shield mounting bracket (070742) along with the spacer onto the heat shield as shown.



10. Install the provided inserted nut onto the heat shield as shown and secure with the provided hardware.



11. Install the provided edge trim onto the heat shield as shown.
NOTE: Some trimming of the edge trim will be necessary.



12. Install the provided silicone hump hose (08418) onto the filter adapter and secure with the provided hose clamp.



13. Set the heat shield assembly into position in the engine bay so the inserted nut passes into the air box mounting hole in the inner fender. Do not secure the heat shield at this time.



14. Install the silicone step hose (08497) onto the throttle body and secure with the provided hose clamp.



15. Install the provided 90° NPT vent fitting into the K&N® intake tube as shown.
NOTE: Plastic NPT fittings are easy to cross thread. Install the vent fitting "hand" tight, then turn it two complete turns with a wrench.



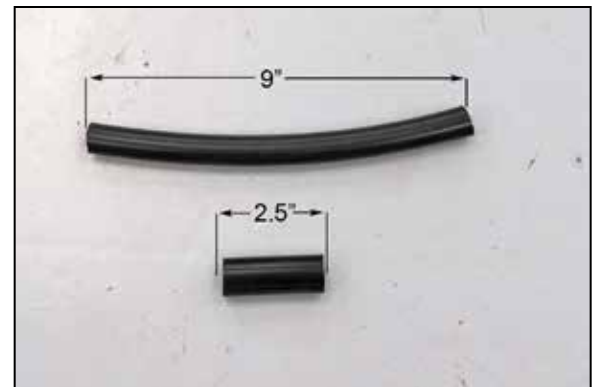
16. Remove the inlet air temperature sensor from the factory intake tube as shown.



17. Install the inlet air temperature sensor into the K&N® intake tube as shown.



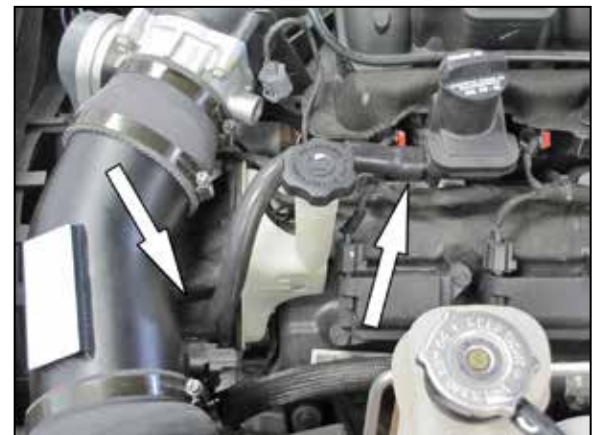
18. Install the K&N® intake tube into the silicone hump hose and then into the silicone step hose at the throttle body. Align the intake tube and heat shield for proper fit and then secure the intake tube with the provided hose clamps and the heat shield bracket with the factory air box retaining bolt removed in an earlier step.



19. Cut the provided 1/2" silicone vent hose to a length of 9" long, and cut the 5/8" vent line to a length of 2.5" long.



20. Assemble the two vent lines together using the provided hose mender.



21. Install the assembled vent hose onto the fitting installed in the K&N® intake tube and then attach the open end to the valve cover port.



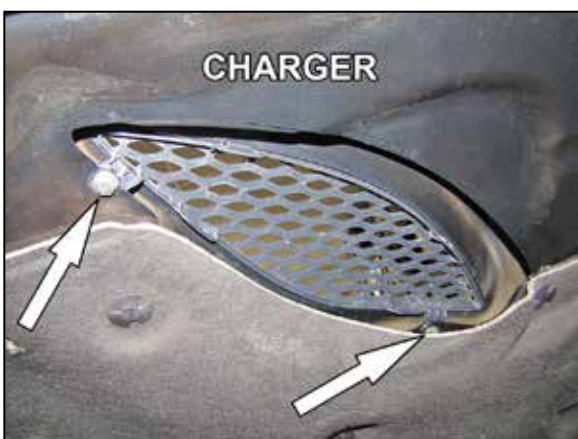
22. Reconnect the inlet air temperature sensor electrical connection.



23. Reinstall the coil cover.



24. Install the K&N® air filter and secure with the provided hose clamp.



25. On vehicles equipped with hood vents: If the vehicle is to be driven during inclement weather it is recommended the shield be installed onto the hood vent to guard the air filter from concentrated water. Remove the two bolts that secure the factory vent grid.



26. Install the guard so the mounting tabs are between the hood and the factory grid as shown.



27. Secure with the factory bolts from step 18.



28. Reconnect the vehicle's negative battery cable. Double check to make sure everything is tight and properly positioned before starting the vehicle.

29. The C.A.R.B. exemption sticker, (attached), must be visible under the hood so that an emissions inspector can see it when the vehicle is required to be tested for emissions. California requires testing every two years, other states may vary.

30. It will be necessary for all K&N® high flow intake systems to be checked periodically for realignment, clearance and tightening of all connections. Failure to follow the above instructions or proper maintenance may void warranty.

ROAD TESTING:

1. Start the engine with the transmission in neutral or park, and the parking brake engaged. Listen for air leaks or odd noises. For air leaks secure hoses and connections. For odd noises, find cause and repair before proceeding. This kit will function identically to the factory system except for being louder and much more responsive.

2. Test drive the vehicle. Listen for odd noises or rattles and fix as necessary.

3. If road test is fine, you can now enjoy the added power and performance from your kit.

4. K&N Engineering, Inc., requires cleaning the Blackhawk Induction™ intake system's air filter element every 100,000 miles. When used in dusty or off-road environments, our filters will require cleaning more often. We recommend that you visually inspect your filter once every 25,000 miles to determine if the screen is still visible. When the screen is no longer visible some place on the filter element, it is time to clean it. To clean, purchase our Synthetic Filter Cleaner, part number 99-0624 and follow the easy instructions.

INTAKE SYSTEMS FOR VEHICLES LISTED ARE 50 STATE LEGAL. SEE KNFILTERS.COM FOR CARB STATUS ON EACH PART FOR A SPECIFIC VEHICLE.