

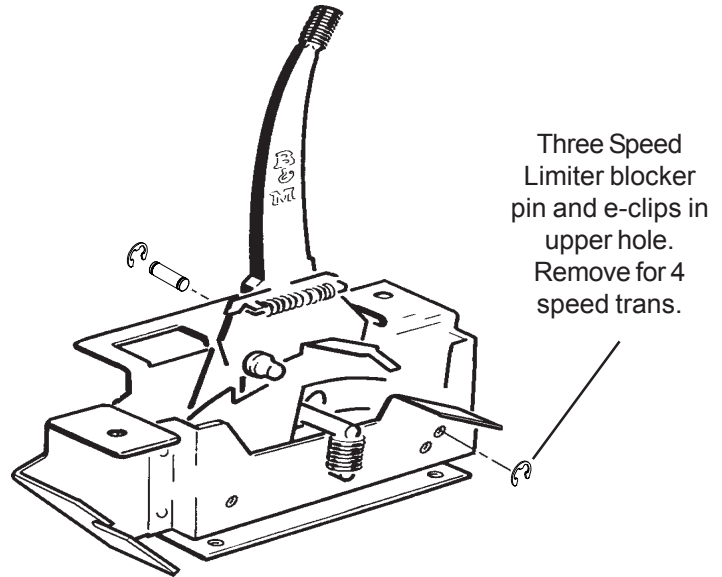


Addendum to Installation Instructions for
**QuickSilver Shifter for '73-'81
Camaro-'70-'81 Firebird**

Part No. 80688

©B&M Automotive Products 1999

The looks of the new QuikSilver shifter is different from the picture in the instruction sheet. The only added feature is that the shifter could be used as a three or four speed. Converting the shifter to a four speed can be done by removing the blocker pin and e-clips towards the back of the shifter.



Printed in U.S.A.

9500698-01

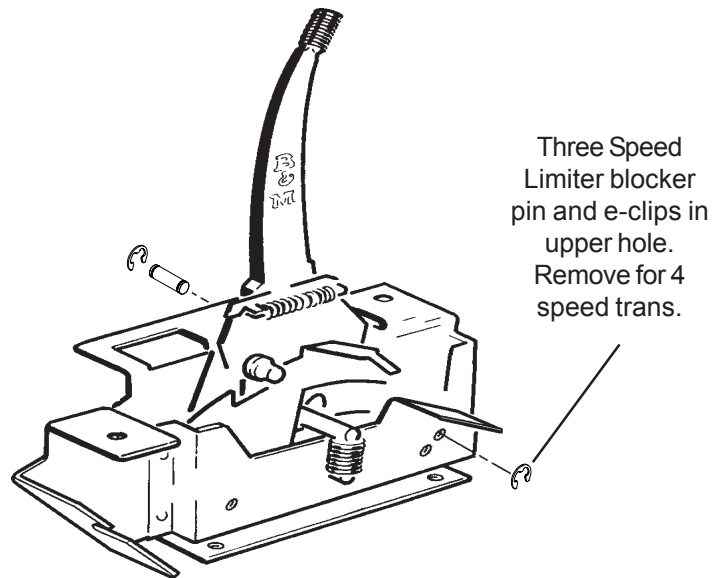


Addendum to Installation Instructions for
**QuickSilver Shifter for '73-'81
Camaro-'70-'81 Firebird**

Part No. 80688

©B&M Automotive Products 1999

The looks of the new QuikSilver shifter is different from the picture in the instruction sheet. The only added feature is that the shifter could be used as a three or four speed. Converting the shifter to a four speed can be done by removing the blocker pin and e-clips towards the back of the shifter.



Printed in U.S.A.

9500698-01

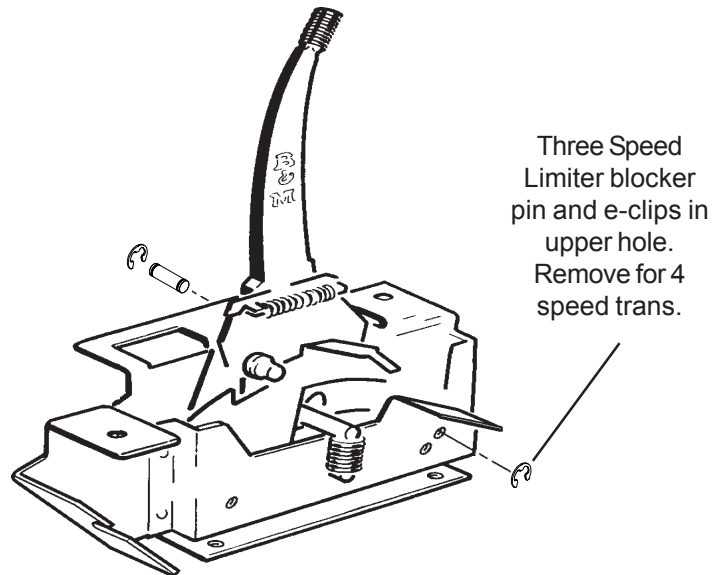


Addendum to Installation Instructions for
**QuickSilver Shifter for '73-'81
Camaro-'70-'81 Firebird**

Part No. 80688

©B&M Automotive Products 1999

The looks of the new QuikSilver shifter is different from the picture in the instruction sheet. The only added feature is that the shifter could be used as a three or four speed. Converting the shifter to a four speed can be done by removing the blocker pin and e-clips towards the back of the shifter.



Printed in U.S.A.

9500698-01