



Installation instructions

Akrapovič Exhaust System:
Slip-On
Link Pipe Set
Sound Kit
Carbon Fiber Diffuser
for the
Porsche 911 Carrera Non Sport (type 991.2)

ENGLISH

Version 1.0

09/2017

www.akrapovic.com





Installation instructions

Akrapovič Exhaust System:

Slip-On

Link Pipe Set

Sound Kit

Carbon Fiber Diffuser

for the

Porsche 911 Carrera Non Sport (type 991.2)

ENGLISH

Version 1.0

09/2017

www.akrapovic.com





Congratulations on purchasing the Akrapovič exhaust system. The Akrapovič exhaust system is a product of Akrapovič d.d., Malo Hudo 8a, 1295 Ivančna Gorica, Slovenia ("Akrapovič").

Please read this entire installation manual carefully prior to installing and using the Akrapovič exhaust system.

Akrapovič exhaust system should only be installed by persons skilled in car exhaust system installation and performance. The instructions provided in this manual should be followed to ensure proper installation and safe use of the Akrapovič exhaust system. Akrapovič and/or its partners shall not be held liable for any damage or personal injury (including direct, indirect, or consequential damage) sustained as a result of improper installation of the Akrapovič exhaust system or its use and maintenance contrary to the instructions and warnings contained herein.

If you have any questions regarding the installation and/or proper use of the Akrapovič exhaust system or this manual, please contact your local Akrapovič partner.

For more information on the Akrapovič exhaust systems, see the official Akrapovič website at: <http://www.akrapovic.com>

GENERAL INFORMATION

Your safety is our number one priority. Please drive your car responsibly, safely and always obey local traffic rules.

All statements made with regard to the exhaust system's compliance are made in respect of the exhaust system "as is". Any modifications of the Akrapovič exhaust system or its improper installation, use or maintenance that is not in accordance with this Installation manual, may result in severe damage to the exhaust system and/ or engine, as well as personal injury, and may affect the exhaust system's compliance with the legal requirements, such as exhaust system's air and/ or noise emissions (as an example, the car may not be suitable for use on public roads any longer), as well as warranty coverage.

The exhaust system may only be used in accordance with relevant laws and regulations, including state and federal, where applicable.





Damage caused by improper installation, use and maintenance of the Akrapovič exhaust system is not covered by the Akrapovič warranty. Please refer to the enclosed warranty with regard to the terms of our warranty.

Technical specifications of Akrapovič exhaust systems and related products are subject to change without notice.

COPYRIGHT AND OTHER RIGHTS NOTICE

The Akrapovič trademark, including corporate logos and emblems, are subject to copyright as well as trademark rights of Akrapovič, its licensors, or third persons authorizing Akrapovič to use them.

Any reproduction, technical or other manipulation, translation, or other use of the copyright and/or trademark rights contained herein is prohibited without the explicit prior written consent of Akrapovič. The same especially applies to the entire contents of this manual and/or any of its parts, including but not limited to technical specifications, instructions, graphs, photographs, and so on included in this manual.

The shape of the exhaust system is protected under a registered Community Design No. RCD 002747105-0001.

Akrapovič takes all copyright and other rights infringement cases under serious consideration. If you have any reason to believe that your exhaust system is not an original Akrapovič product, please contact our local partners or Akrapovič at info@akrapovic.com.





SAFETY AND COMPLIANCE WARNING, PLEASE READ CAREFULLY

BEFORE REMOVING THE STOCK EXHAUST SYSTEM AND BEGINNING THE INSTALLATION OF YOUR NEW AKRAPOVIČ EXHAUST, PLEASE MAKE SURE THAT ALL ITEMS LISTED BELOW ARE VERIFIED:

- This manual is specific to the car indicated on the cover page, for which it is designed. Installation procedures vary depending on the type of car. Please verify that the Akrapovič **exhaust system and this installation manual correspond to the type of your car.**
- The exhaust system can get extremely hot during and after it is used. Make sure not to touch the exhaust system until it is completely cool. **Allow the exhaust and engine to cool down before beginning installation.**
- Make sure the car is **securely positioned to prevent damage** to yourself and other, or the car.
- Please check the parts you received against the parts list available on our website (please use the QR code on the front page or look for “schematic view” in the respective product page on www.akrapovic.com). Make sure that you have **all the parts necessary for the installation** of your new Akrapovič exhaust system. If any of the parts is missing, please do not proceed with uninstalling your stock exhaust system/installing the Akrapovič exhaust system and contact the retailer where you purchased the Akrapovič exhaust system.
- Every exhaust system muffler has its unique serial number, which identifies the authenticity of the product. You can find the serial number on the muffler's sleeve. Please refer to the **picture 1** below. Please verify that your exhaust system is an original Akrapovič product. If you have any doubts, please contact the reseller where you purchased the exhaust system or Akrapovič partners. This manual, any certificates and Akrapovič warranty apply to original products only.

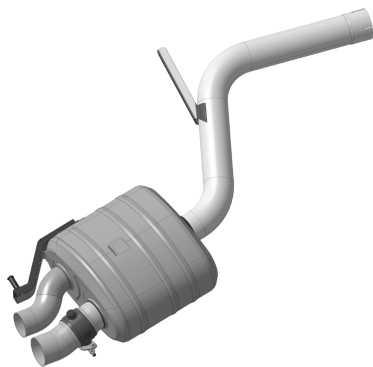
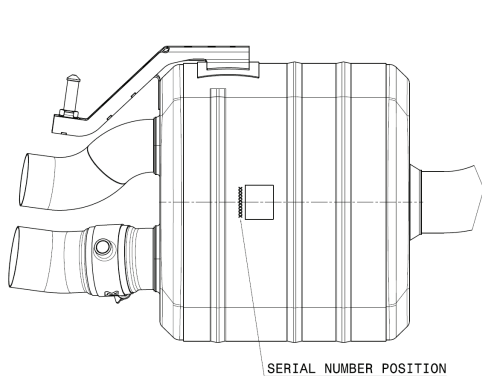
GENERAL NOTE

Photographs and other illustrations in this manual are symbolic and are intended to help represent individual steps for proper installation and use, as well as for a general overview. The actual component parts of the Akrapovič exhaust system may not entirely correspond to the photographs and other illustrations.





Picture 1 - Serial Number Position





NOISE AND EMISSION WARNINGS

General warning

Because of the world-wide distribution of Akrapovič d.d. products, neither Akrapovič d.d. nor any of its subsidiaries make any representation that the exhaust system complies with the air and/or noise emissions laws, or labeling laws, of any jurisdiction. The purchasers are entirely responsible for informing themselves of the applicable laws where the products are to be used and to comply with those law.

Although legal compliance of Akrapovič products in a specific country should be determined by the user, you can find some basic guidance on compliance of your Akrapovič exhaust system with various legal requirements on the product-related part of our website (please use the QR code on the front page or look for the respective product page on www.akrapovic.com). For EC and ECE type approvals, please refer to the certificate enclosed to your product.

USA WARNING

Various U.S. states and the U.S. federal government have individual laws regulating the use of aftermarket exhaust parts and systems, especially as those parts and systems modify, remove, or replace original equipment catalysts. Please consult the appropriate laws in your area before installing any aftermarket part or system on your vehicle to ensure compliance with all applicable laws. Neither Akrapovic d.d. nor any of their subsidiaries or the sellers of the parts or systems make any representation that any of their parts or systems comply with any such laws.

CALIFORNIA WARNING

California laws prohibit the use of any aftermarket exhaust part or system that modifies, removes or replaces original equipment catalysts unless the California Air Resources Board has issued an Executive Order regarding such part or system or unless the part or system is exempted by being used only on racing vehicles on closed courses. Neither Akrapovic d.d. nor any of their subsidiaries make any representation that any of their parts or systems has received such an Executive Order or that any of their parts or systems conform with the racing vehicles exemption. The purchasers are entirely responsible for informing themselves of applicable California laws and to comply with those laws.





SYMBOLS

The following symbols are used throughout these installation instructions:



TOOLS AND PROTECTIVE EQUIPMENT REQUIRED



TIGHTENING TORQUE



LUBRICATION



HAND TIGHTEN



INSTALLATION TIP



CAUTION OR IMPORTANT

USE BOLT SEALANT



Apply 3 to 4 small drops of bolt sealant onto the cleaned and degreased threads before tightening the bolts.

WARNING! Avoid contact with skin, eyes and mucous membranes. Do not inhale fumes. Keep out of reach of children.

USE ANTI-SEIZE LEAD-FREE COPPER PASTE (black tube)



Provides trouble-free and long-lasting protection against seizing, corrosion and rusting of bolts, threaded ends, nuts, joints, etc. Also protects against vibration, wear and impact. **WARNING! Avoid eye contact. Keep out of reach of children.**

USE ANTI-SEIZING GREASE (white tube)



Prevents seizing, corrosion and excessive wear between the titanium components of your exhaust system. **WARNING! Avoid eye contact. Keep out of reach of children.**





Tools & equipment



- mechanic gloves
- eye protection
- T-handle E10 Torx wrench
- Torx 25
- Torx 27
- T-handle swivelling 30 Torx wrench
- T-handle swivelling 13 mm wrench
- T-handle 10 mm wrench
- Half-moon ring 12 mm wrench
- Socket driver Torx 30
- Combination 8 mm wrench
- Flat screwdriver

PARTS LIST

The following parts should be found in the box:

- Installation Manual
- Homologation certificate/ compliance documents if applicable
- Warranty
- Fitting material
- Muffler and pipes

Detailed list of parts can be found on the Akrapovič website (please use the QR code on the front page or look for “Schematic view” in the respective product page on www.akrapovic.com).





IMPORTANT: The car should be in the off position throughout the dismantling and installation process, as well as any other work done on the exhaust system!

REMOVAL OF STOCK EXHAUST SYSTEM:

The process of uninstalling the original exhaust system may vary depending on the existing exhaust system. Please follow the original exhaust system manufacturer's instructions for uninstalling the original exhaust system.

If you for any reason decide otherwise, please note that any information provided in this respect herein should be considered as general information provided for your convenience only. Akrapovič shall not assume any liability or responsibility with regard to uninstalling your existing exhaust system, warranty coverage of such exhaust system or vehicle or their further fitness for use.

In case your Akrapovič exhaust system may not be used on certain roads or under certain conditions, please keep the stock or other exhaust system that you can use in such circumstances legally.





REMOVAL OF STOCK EXHAUST SYSTEM:

Put the vehicle onto a car lift.

! **CAUTION:** ensure that the car is lifted safely and properly in order to avoid the risk of vehicle damage, injury, or even death!

1. Unscrew and remove both rear wheels off the vehicle (F 01).

! **CAUTION:** make sure not to injure yourself or damage any part of the vehicle during this process!



F 01





2. Unscrew the market bolts and nut on both sides of the vehicle (**F 02**).

! **IMPORTANT:** make sure not to damage any part of the vehicle during this process!



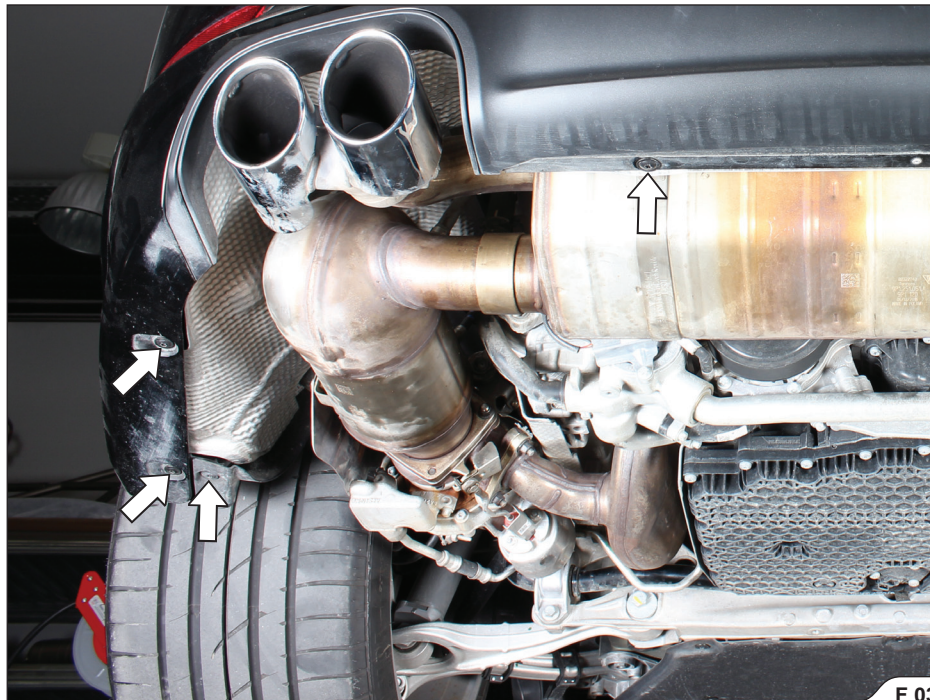
F 02

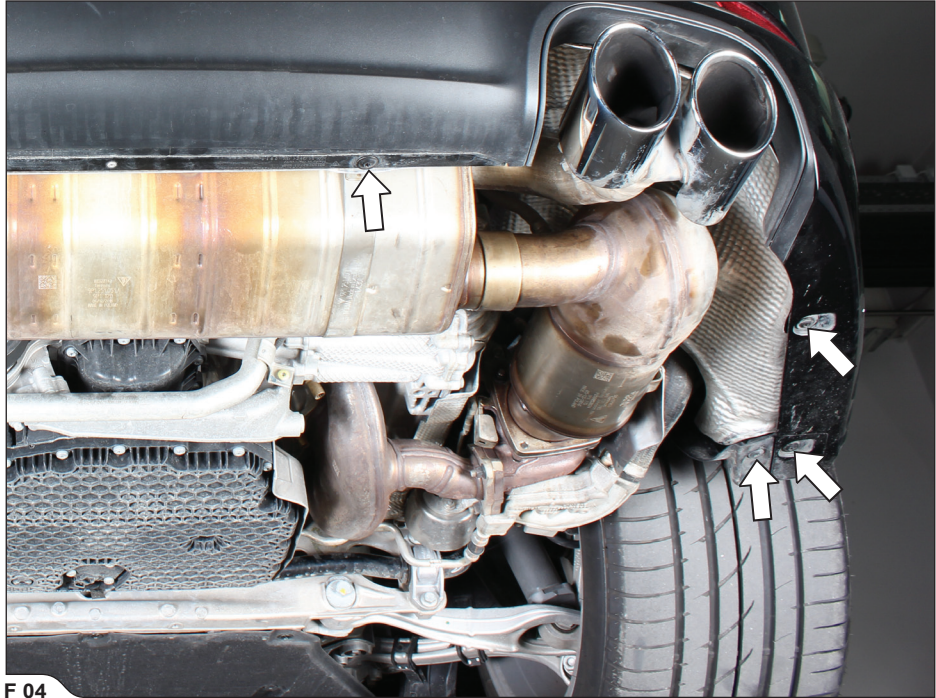




3. Unscrew the market bolts (F 03, 04).

! **IMPORTANT:** make sure not to damage any part of the vehicle during this process!





F 04

15 / 104

 **AKRAPOVIC**

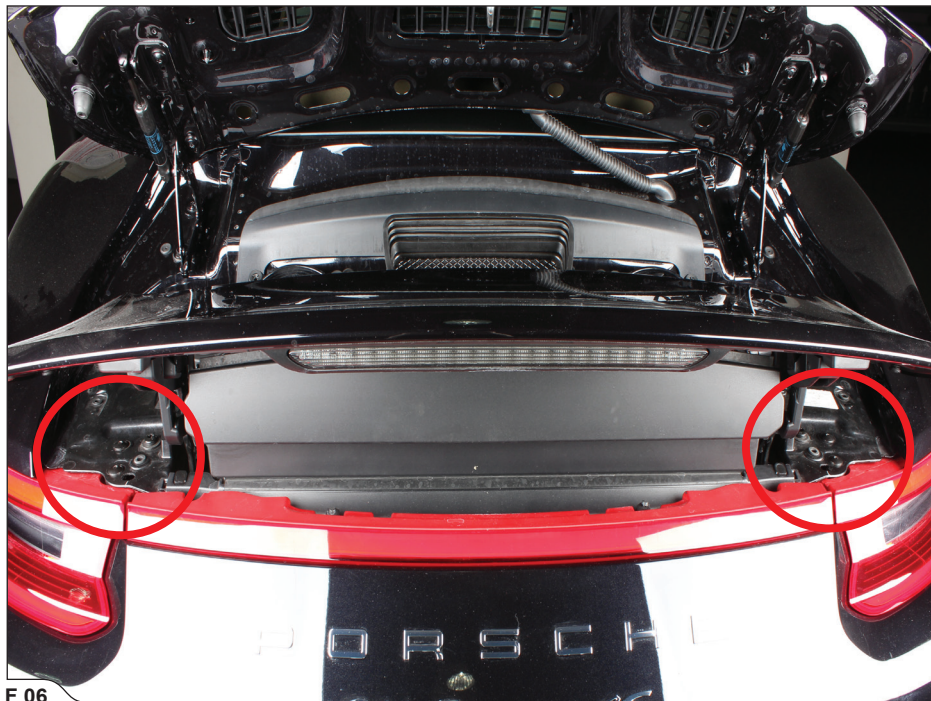




- Carefully undo the marked engine compartment trim panels and unscrew tail light bolts on both sides of the vehicle (F 05, 06, 07).

! **CAUTION:** make sure not to injure yourself or damage any part of the vehicle during this process!





F 06

 **AKRAPONVIC**





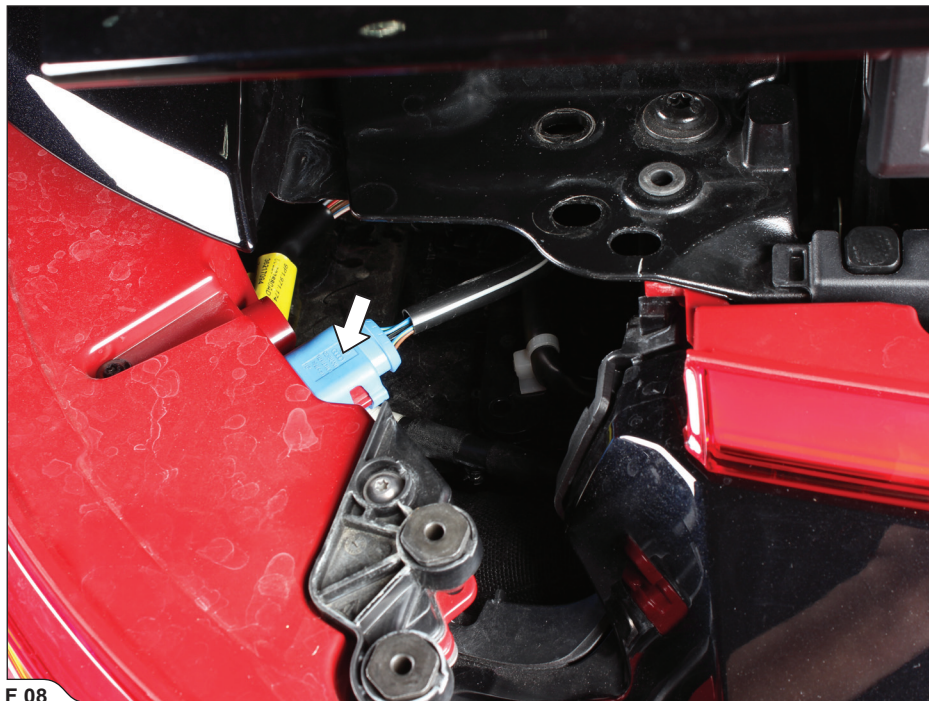
F 07





- Carefully pull the tail lights out of the chassis, disconnect the tail lights' electrical connectors and remove the tail lights off the vehicle, on both sides of the vehicle (F 08).

! **IMPORTANT: make sure, not to damage the connectors, tail lights or any other part of the vehicle during this process!**



F 08

AKRAPVIČ





6. Unscrew the marked upper bumper bolts (F 09).

! **IMPORTANT:** make sure not to damage any part of the vehicle during this process!





7. Undo the marked bumper's electrical connectors (F 10, 11).

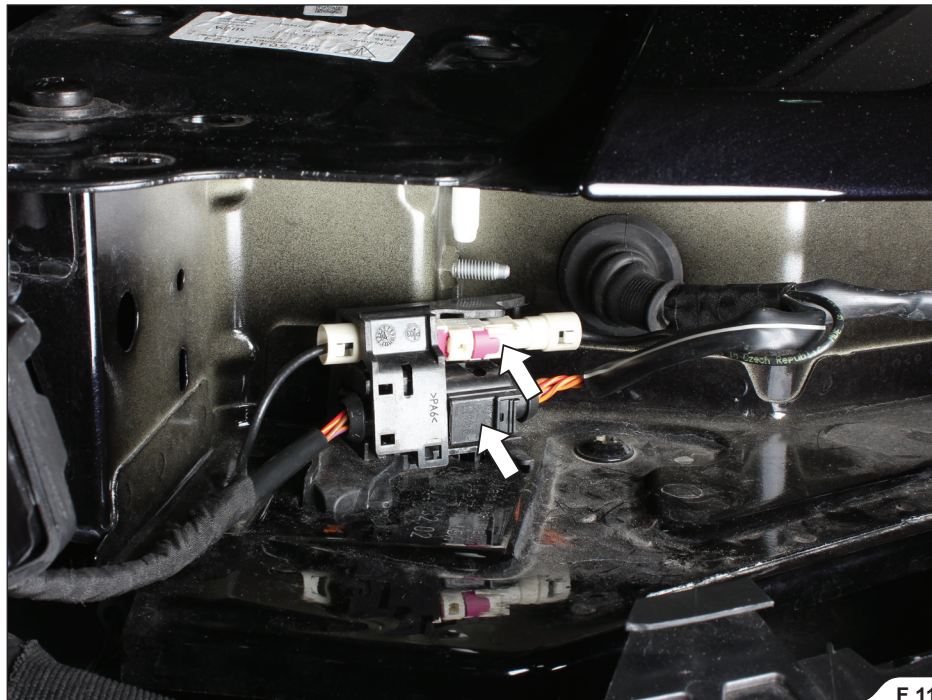
! **IMPORTANT:** make sure not to damage any part of the vehicle during this process!



F 10

AKRAPVIČ





F 11





8. Unscrew the marked bolts on both sides of the vehicle and carefully remove the rear bumper of the vehicle (F 12, 13).

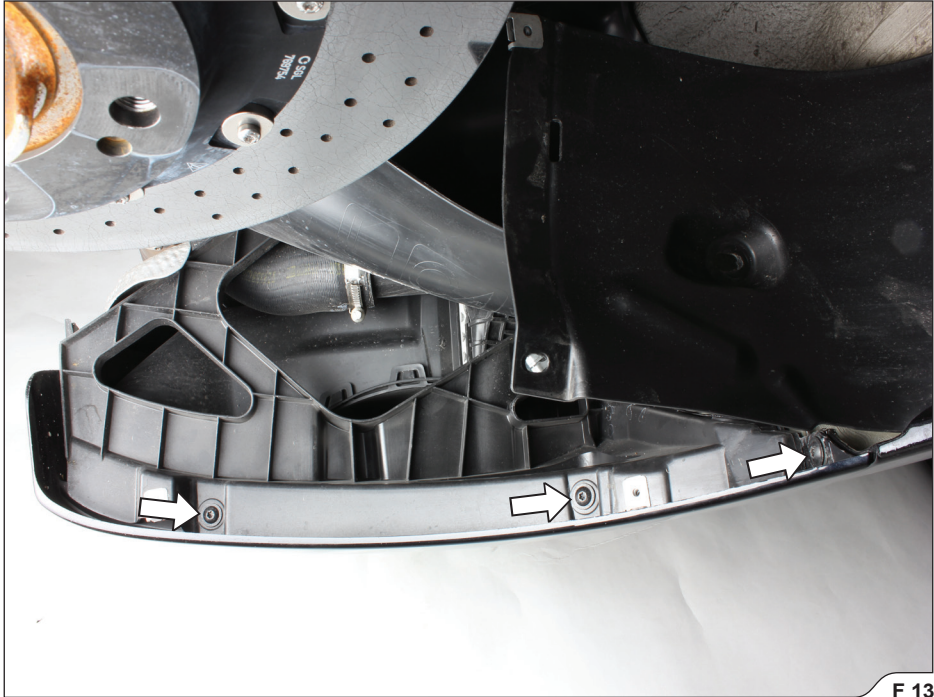
! **IMPORTANT:** make sure not to damage any part of the vehicle during this process!



F 12

AKRAPVIČ





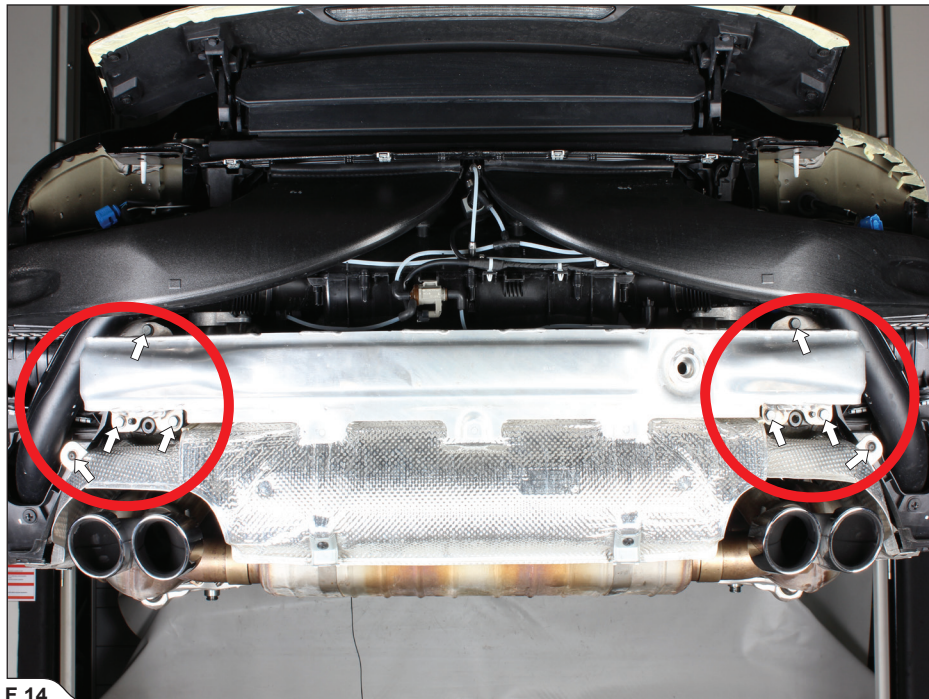
F 13





9. Unscrew the marked bolts on both sides of the vehicle and carefully remove the crash absorber with heat shield (F 14).

! **CAUTION:** make sure not to injure yourself or damage any part of the vehicle during this process!



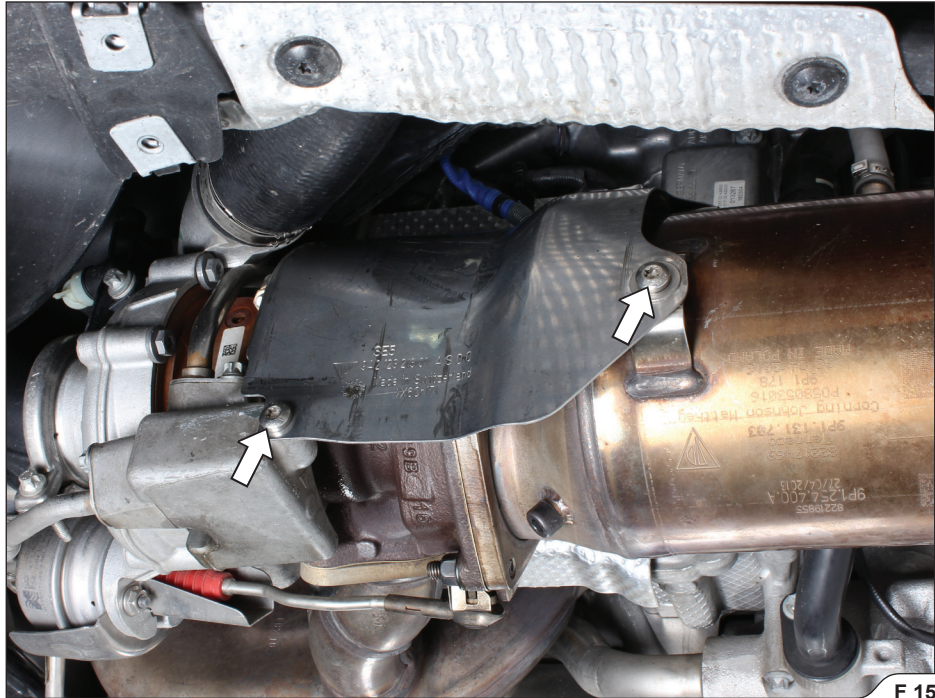
F 14

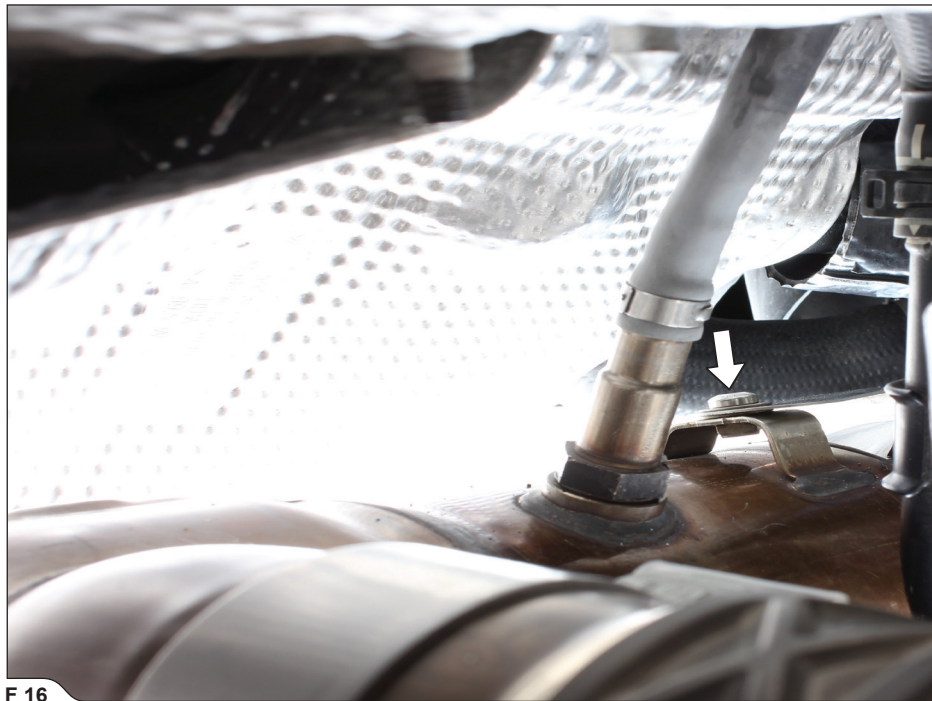




10. Unscrew the marked bolts on both sides of the engine and carefully remove both turbo chargers' heat shields (F 15, 16, 17).

! **CAUTION:** make sure not to injure yourself or damage any part of the vehicle during this process!

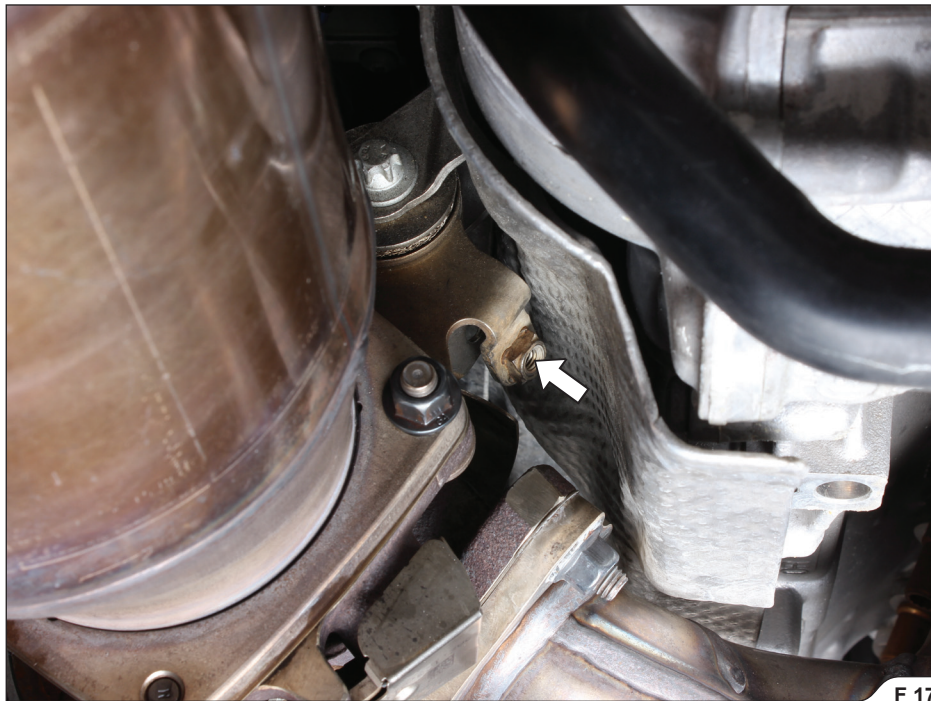




F 16

AKRAPVIČ







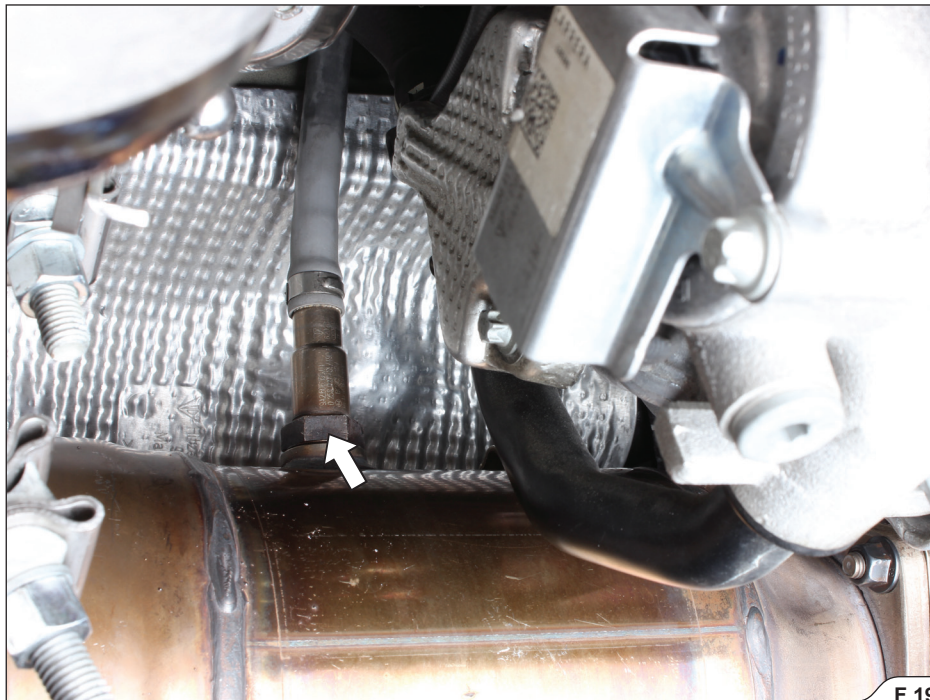
11. Unscrew all four lambda sensors on both sides of the engine (F 18, 19).

! **CAUTION:** make sure not to injure yourself or damage the lambda sensors during this process!



F 18

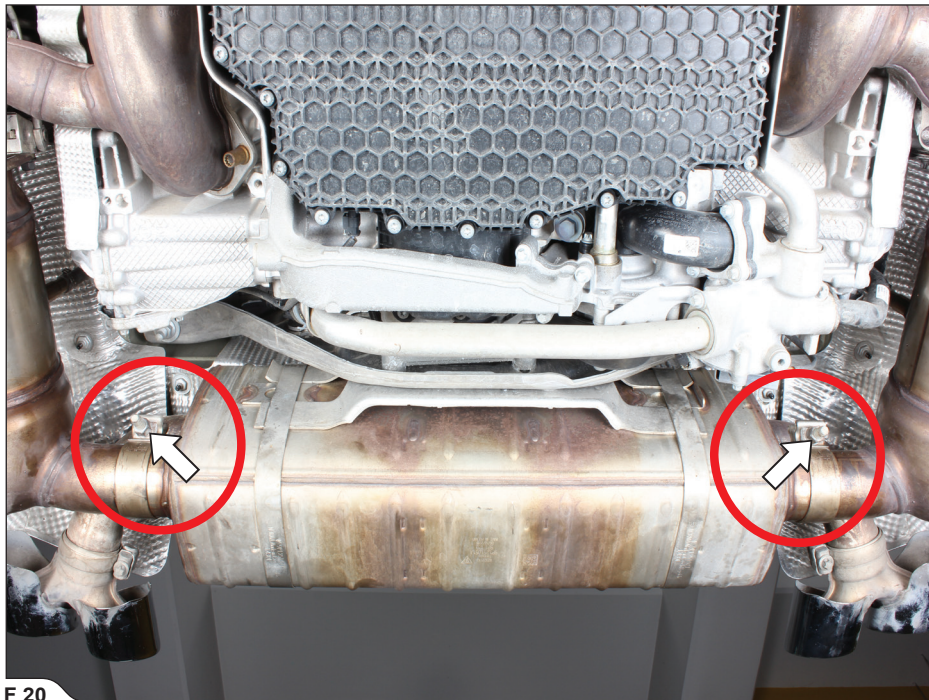






12. Loosen the marked clamps (F 20).

! **CAUTION:** make sure not to damage any part of the vehicle during this process!



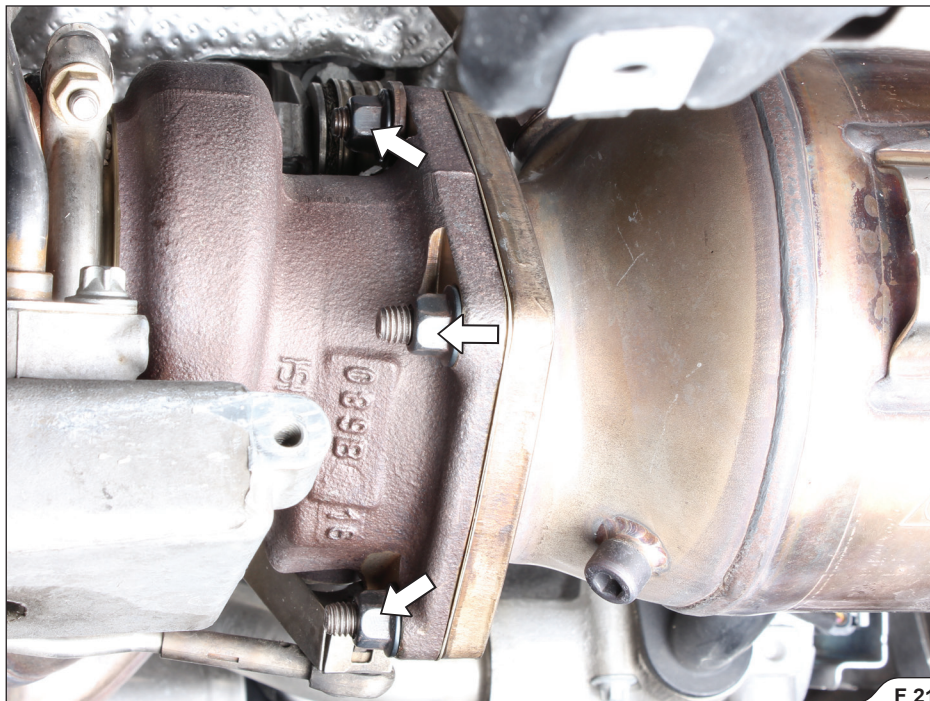
F 20





13. Unscrew all turbo charger flanges' nuts on both sides of the engine (F 21, 22).

! **CAUTION:** make sure not to damage any part of the vehicle during this process!





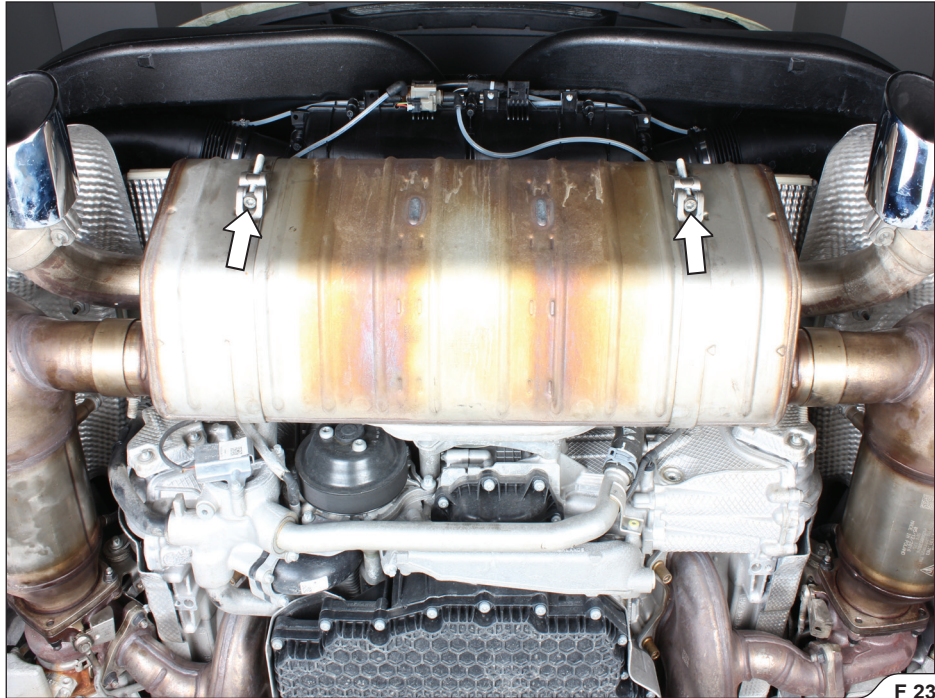
F 22





14. Support the muffler, completely loosen the marked clamps, slide them off the muffler's bracket and carefully remove the muffler together with link pipes off the vehicle (**F 23**).

! **CAUTION:** make sure not to injure yourself, or damage any part of the vehicle during this procedure!



F 23





15. Unscrew the marked nuts and remove the heat shield off the crash absorber (F 24).

! CAUTION: make sure not to injure yourself, or damage any part of the vehicle during this procedure!



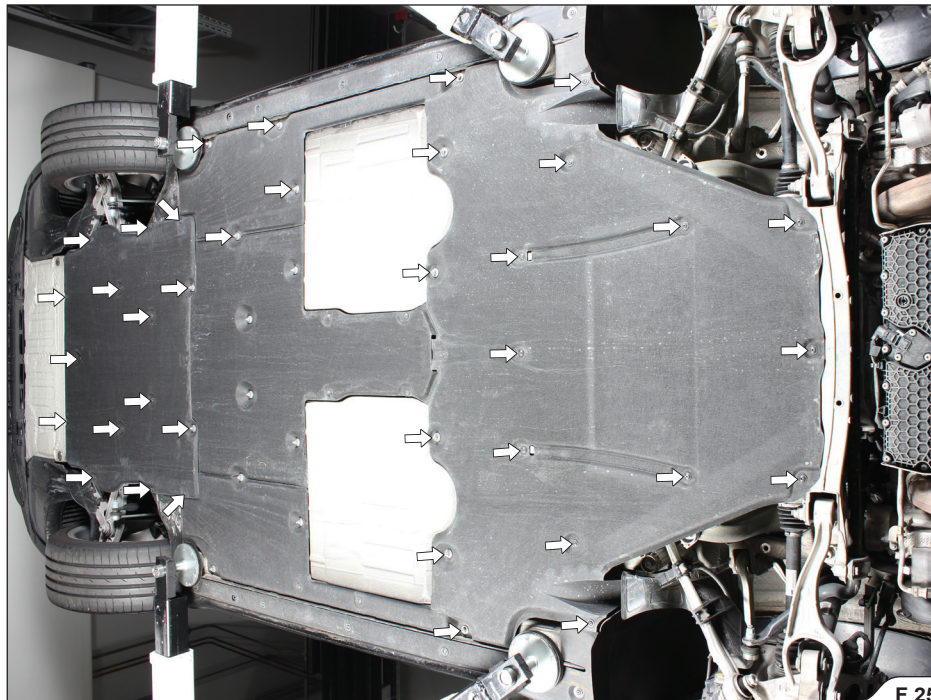
F 24





16. Unscrew the marked bolts and nuts and remove the front, rear, left side middle underbody panels and left rear wheel arch (F 25, 26).

! CAUTION: make sure not to injure yourself, or damage any part of the vehicle during this procedure!





F 26

 **AKRAPONVIC**

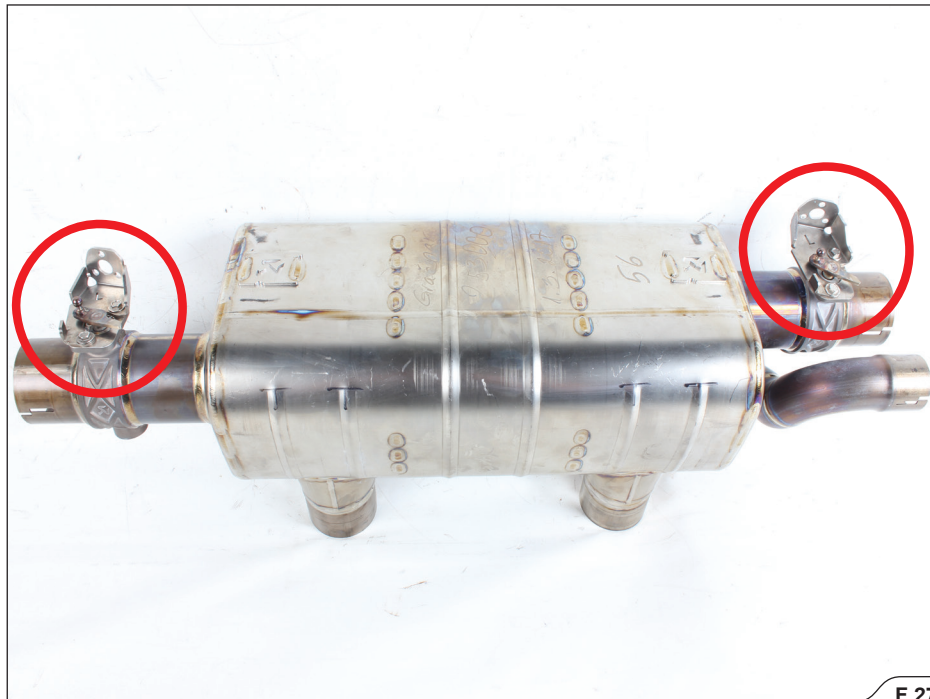




INSTALLATION OF THE AKRAPOVIČ EXHAUST SYSTEM:

1. Unscrew and remove the marked actuators' brackets off the exhaust valves (F 27).

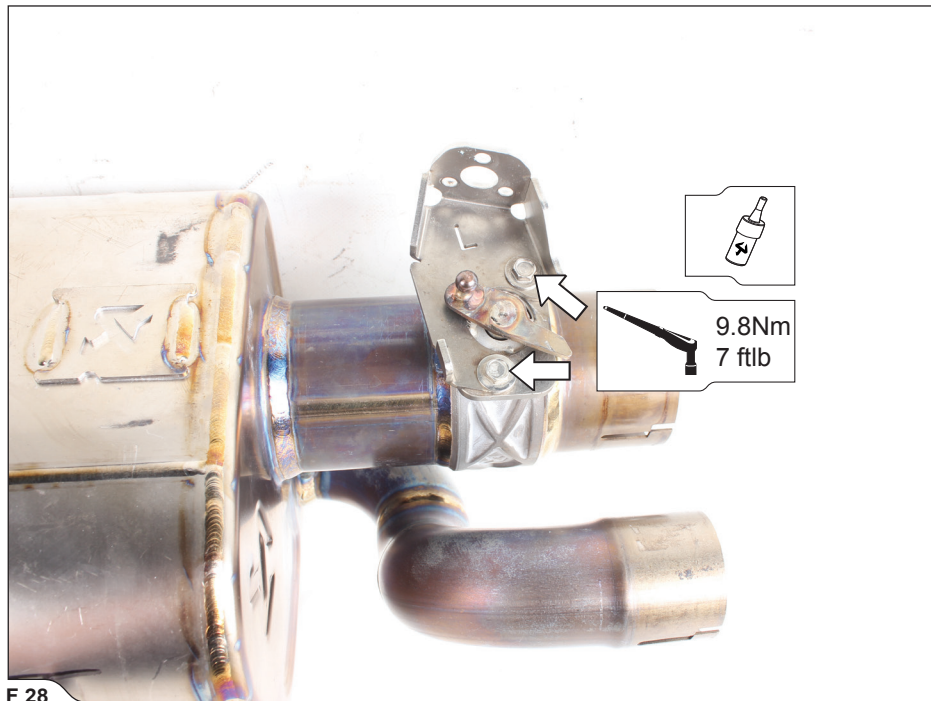
! CAUTION: make sure not to injure yourself or damage any part of muffler during this process!





2. Install additional actuators' brackets from Akrapovič installation kit onto the exhaust valves, using Akrapovič bolts (F 28).

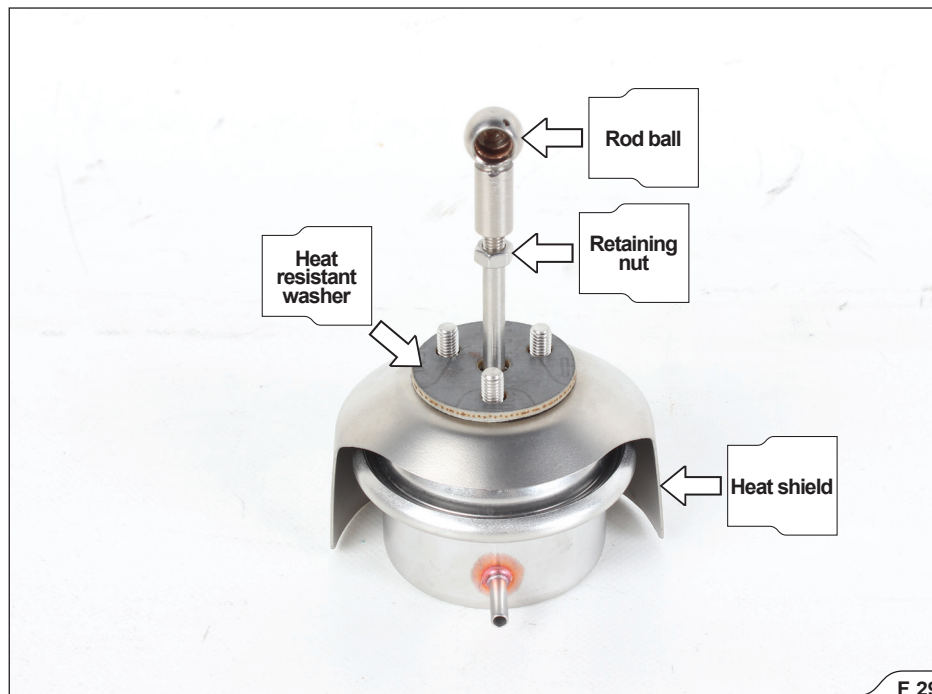
! **IMPORTANT:** use Akrapovič bolt sealant on all bolts' threads!

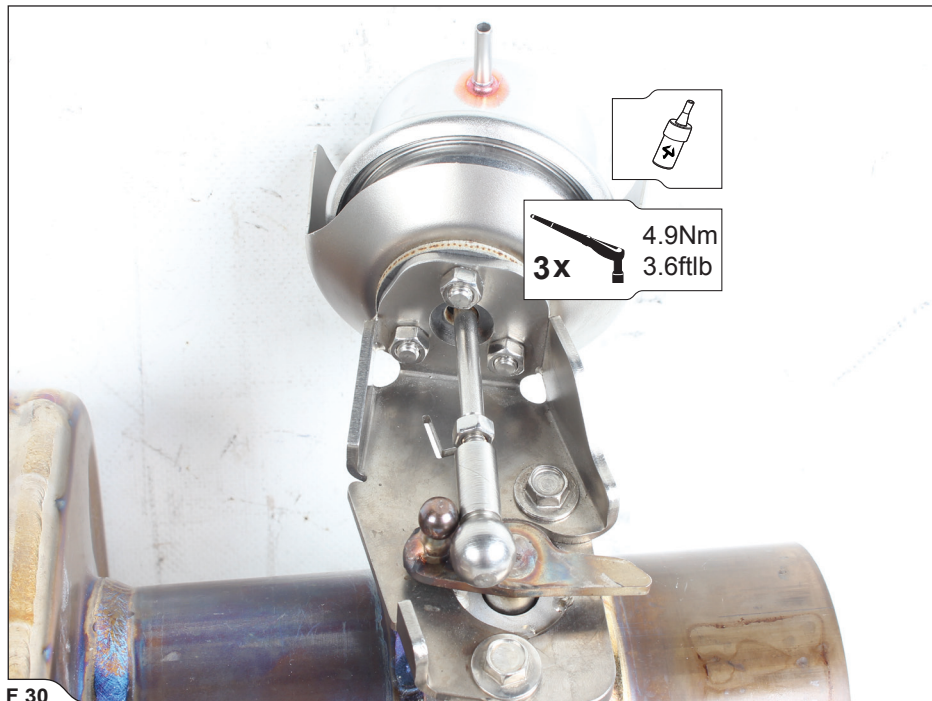




3. Install the Akrapovič actuators onto the valves, using heat shields, heat resistant washers, retaining nuts, rod balls, nuts and safety pins from Akrapovič installation kit (F 29, 30, 31).

! IMPORTANT: use Akrapovič bolt sealant on all nuts' threads!

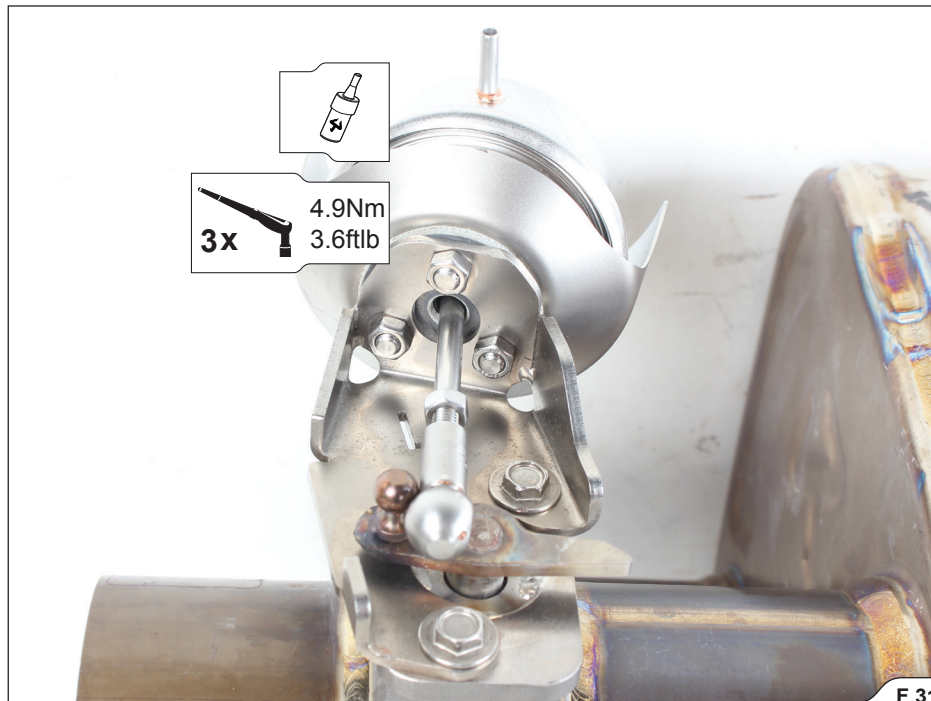




F 30

 **AKRAPVIC**

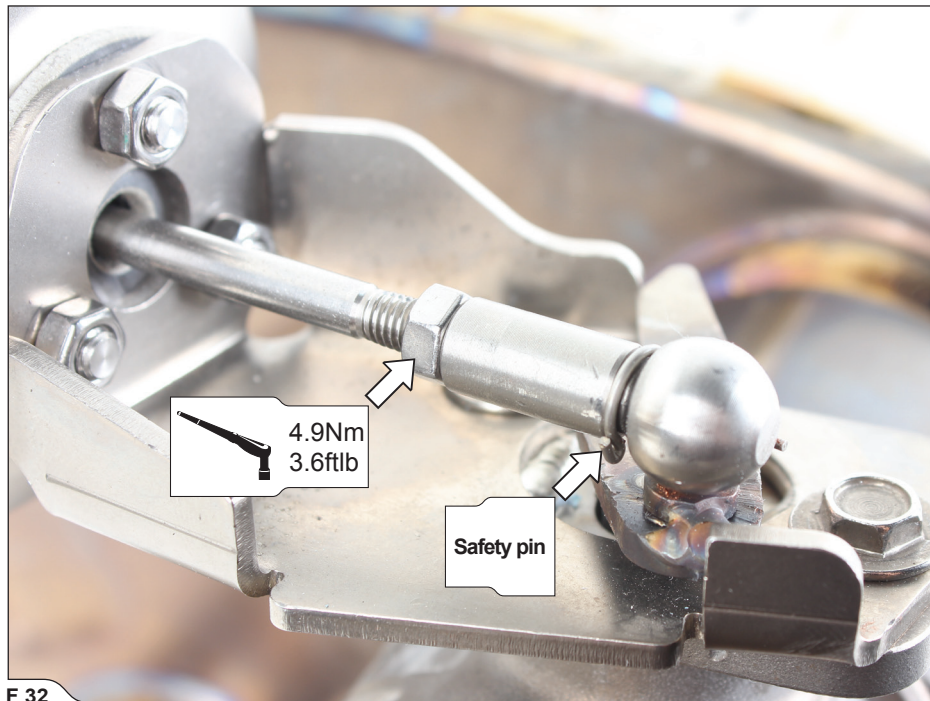






4. Adjust the Rod balls in such a way, that the valve flaps do not have any free play, tighten the retaining nuts, attach the rod balls onto the valve flaps and secure them with the safety pins (F 32).

! IMPORTANT: before you tighten the retaining nuts, adjust the Rod balls in such a way, that the valve flaps do not have any free play!





5. Correctly orient the clamps from Akrapovič installation kit and carefully install them onto the muffler's inlets, as shown (F 33, 34).

! **IMPORTANT:** make sure, that you orient the clamps correctly!



F 33





F 34

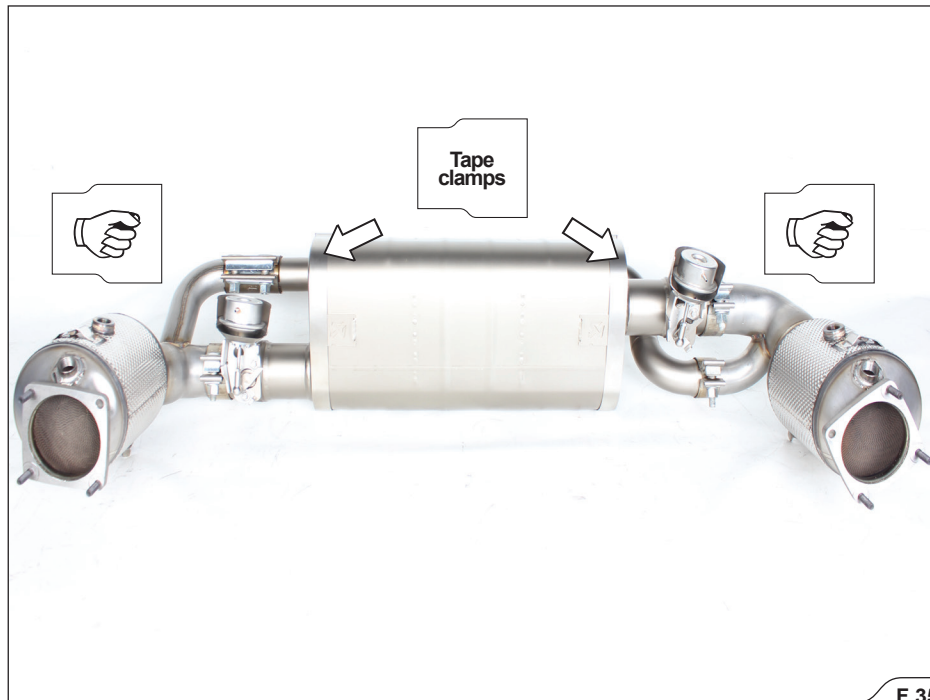




6. Assemble the Akrapovič link pipes with muffler, put the tape clamps onto muffler, adjust the pipe clamps as shown and hand tighten all the clamps (F 35).

! **CAUTION:** the double clamp should be adjusted in the middle of the joint!

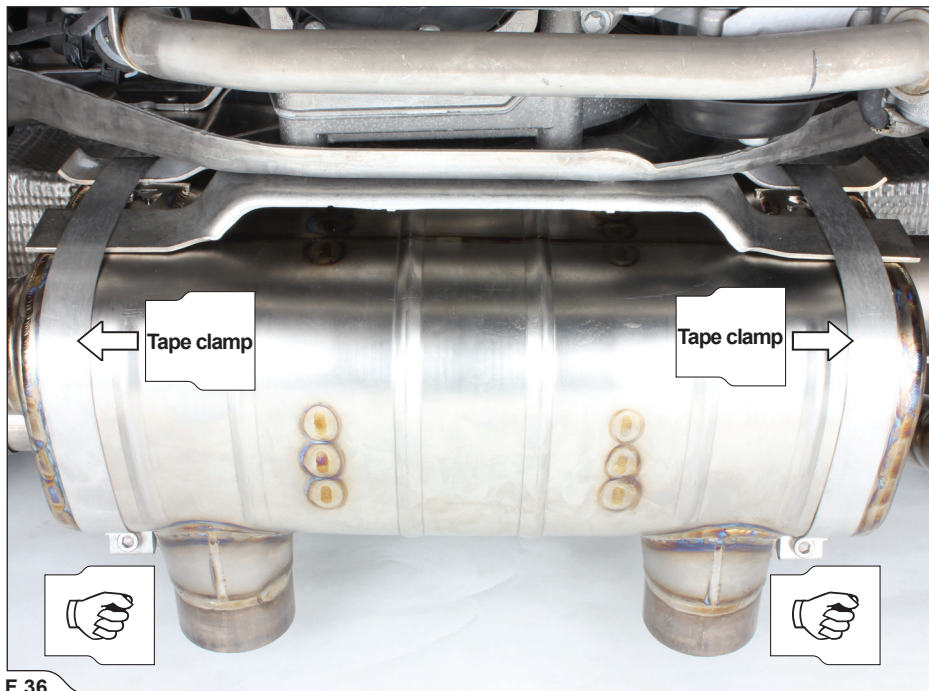
! **IMPORTANT:** do not fully tighten the clamps yet!





7. Hang the muffler with link pipes onto the vehicle, adjust the muffler and attach the tape clamps onto the bracket; hand tighten all the clamps (F 36, 37, 38).

! **IMPORTANT: do not fully tighten the clamps yet!**



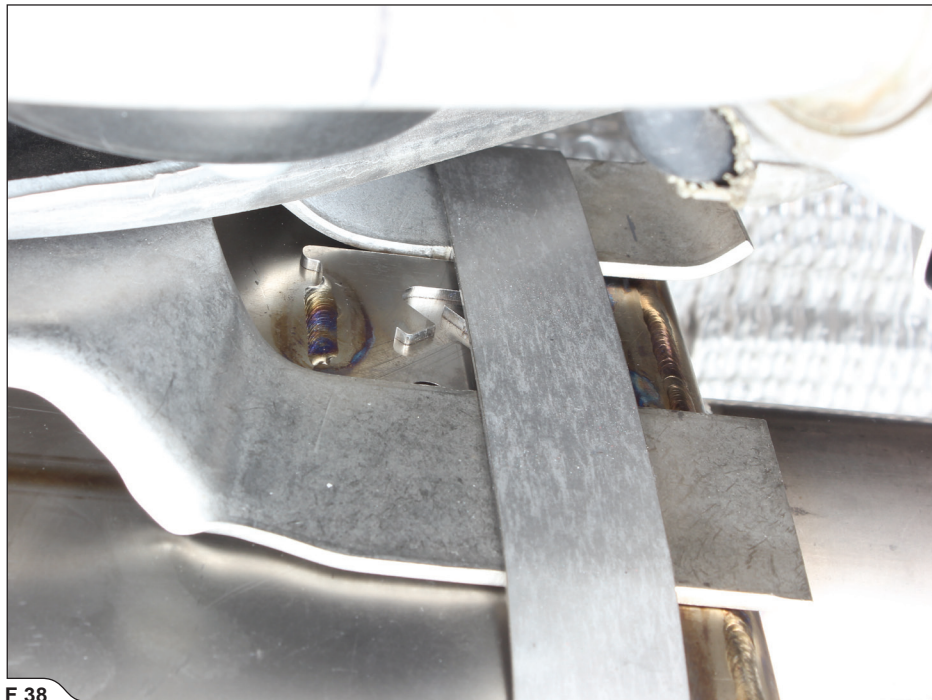
F 36





F 37





F 38

 **AKRAPOVIC**

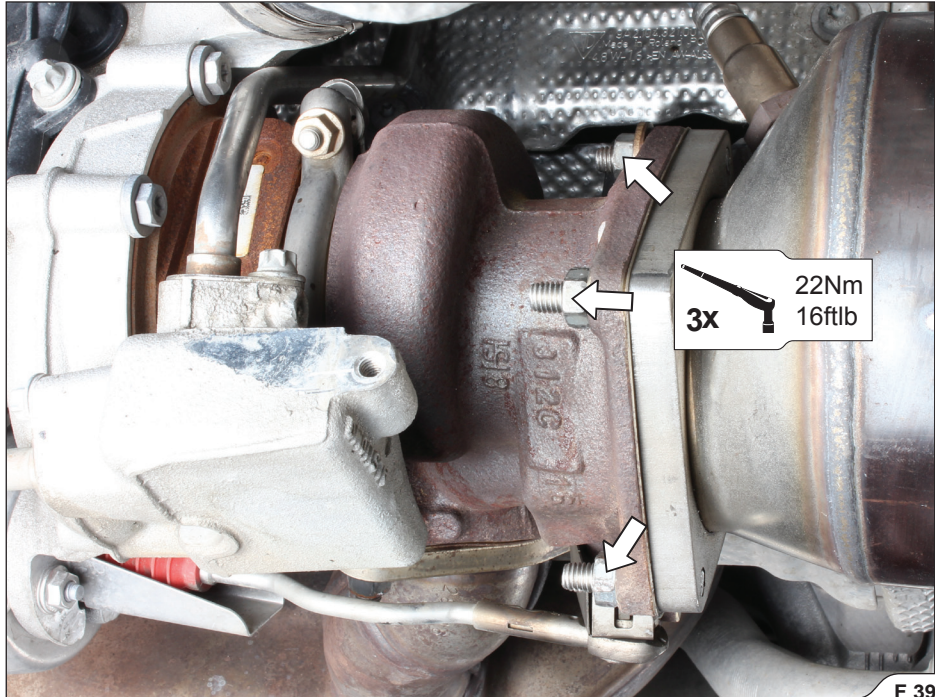


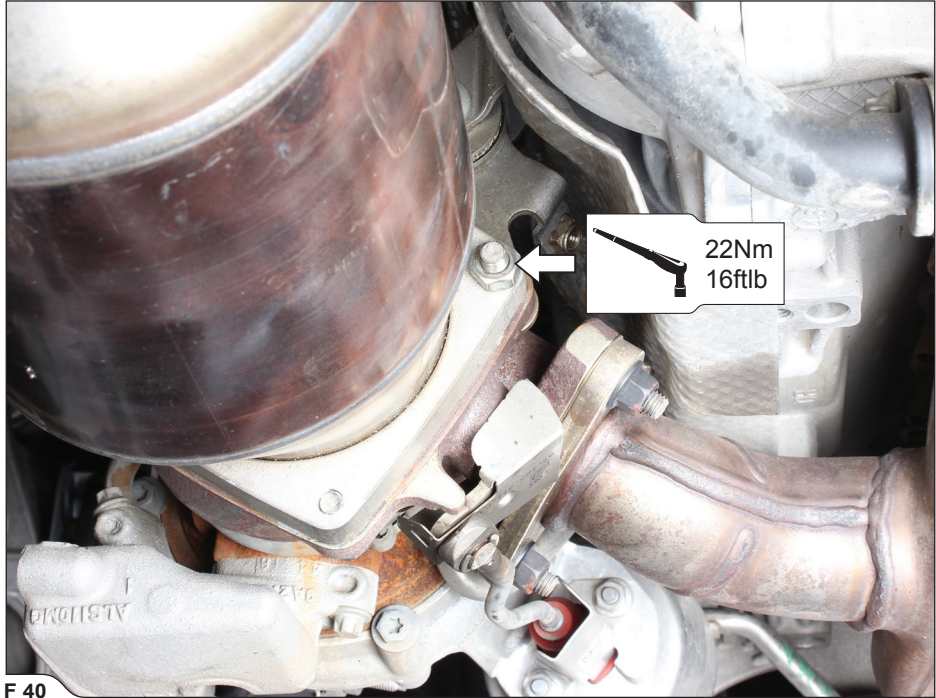


- Align the link pipes correctly and tighten them onto the turbo chargers, using stock nuts (F 39, 40).

! **IMPORTANT:** we advise, that you use new original gaskets in the turbo chargers' joints.

! **IMPORTANT:** tighten the nuts in the criss cross pattern!





F 40

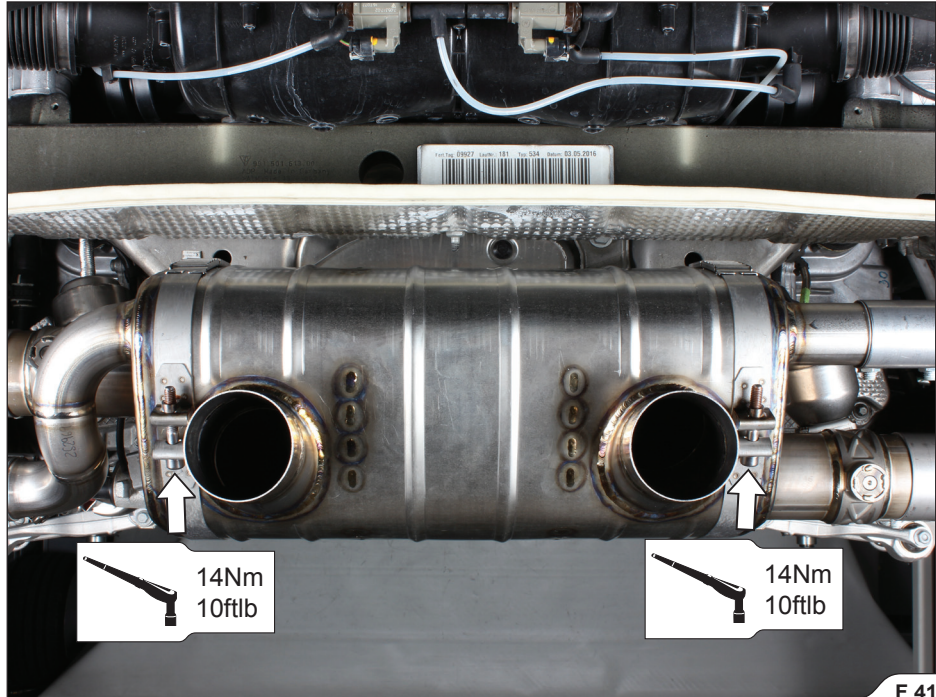
AKRAPOVIC

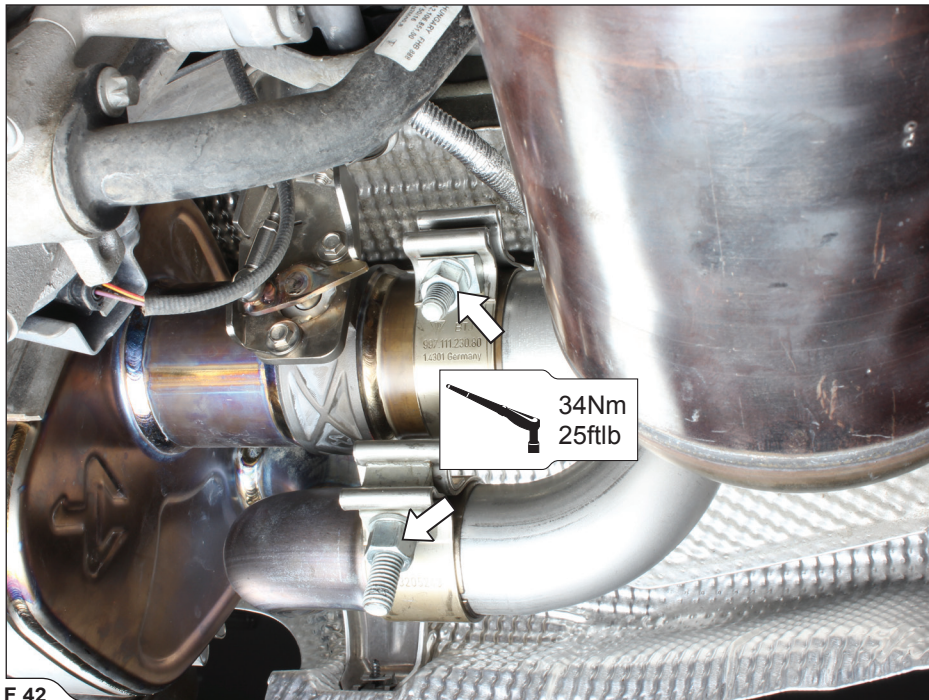




9. Center/align the muffler and tighten all clamps to the specified torque (F 41, 42, 43).

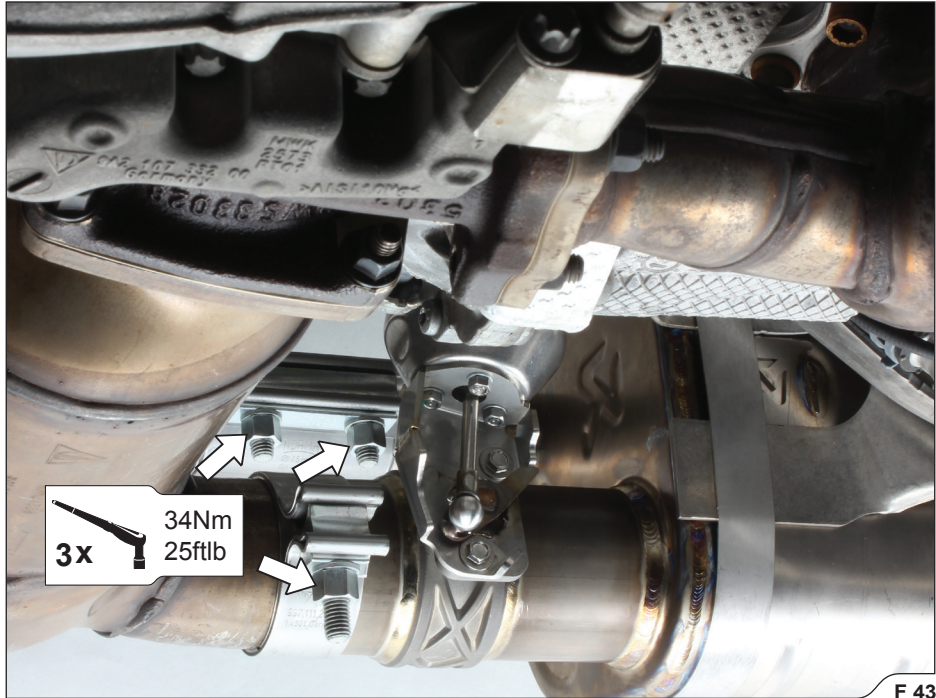
! **CAUTION:** make sure not to injure yourself or damage any part of the vehicle during this process!





F 42





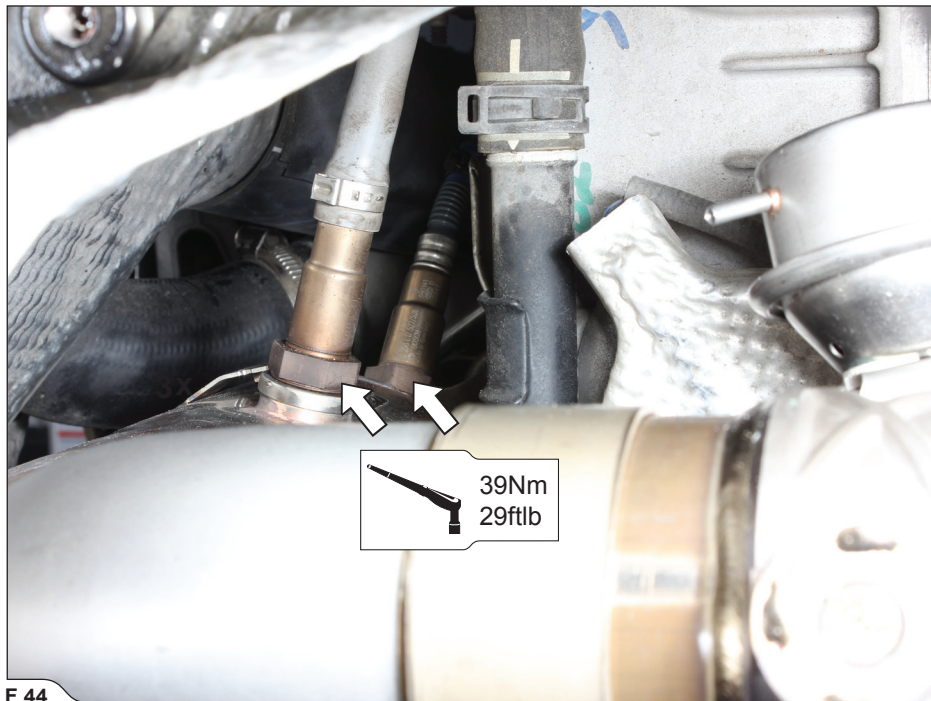
F 43





10. Reinstall all four lambda sensors into the link pipes (F 44, 45).

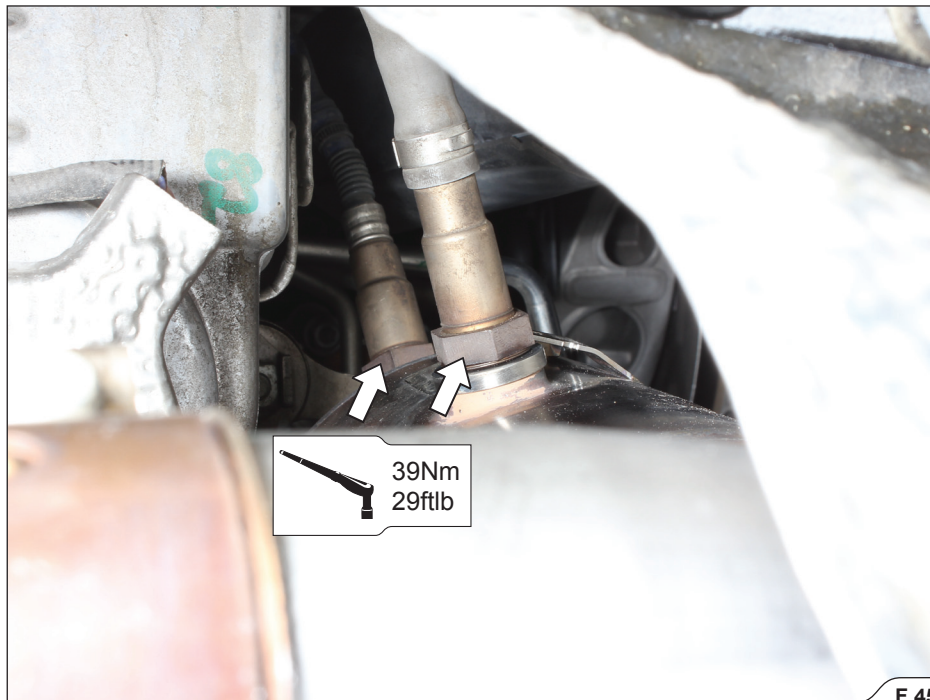
! **CAUTION:** make sure not to injure yourself or damage the lambda sensors during this process!



F 44

 **AKRAPVIC**

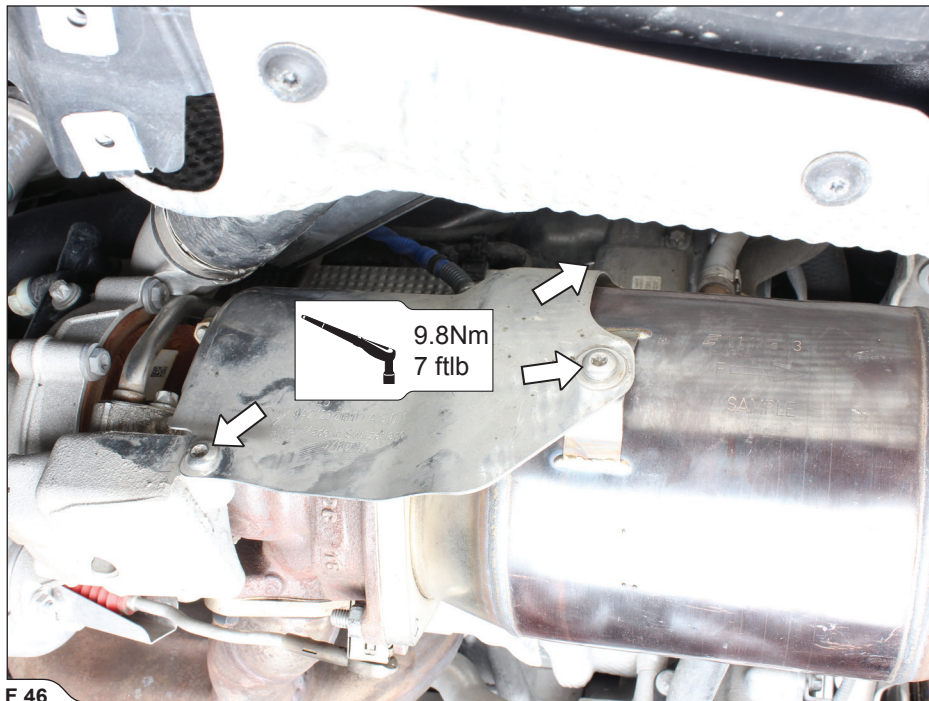


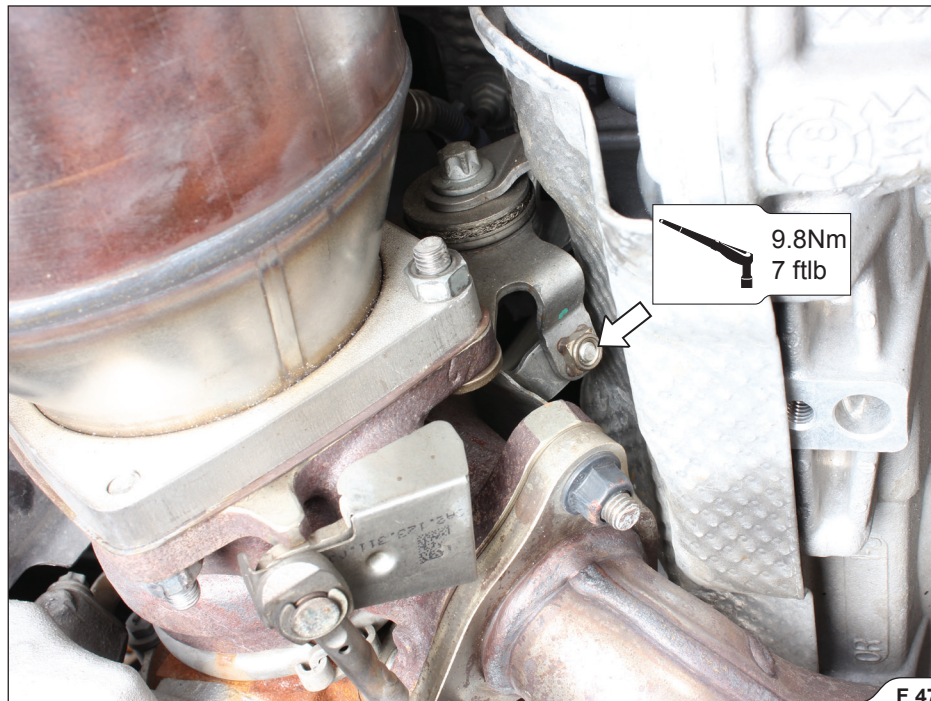




11. Reinstall the turbo chargers' heat shields on both sides of the engine (F 46, 47).

! **CAUTION:** make sure not to injure yourself or damage any part of the vehicle during this process!

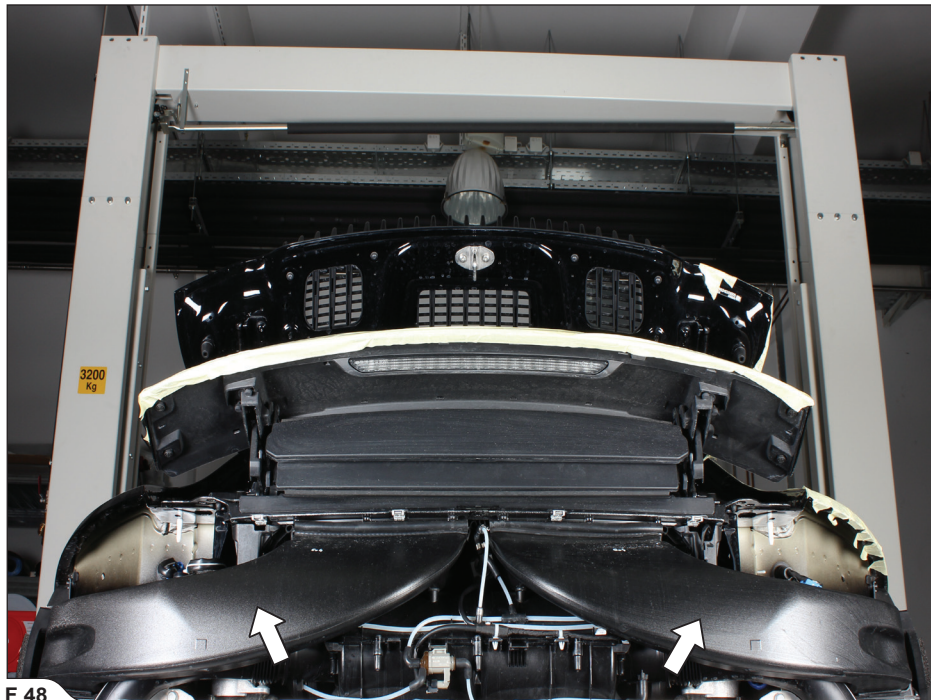






12. Remove the marked air intake funnels (F 48).

! **CAUTION:** make sure not to injure yourself or damage any part of the vehicle during this process!



F 48

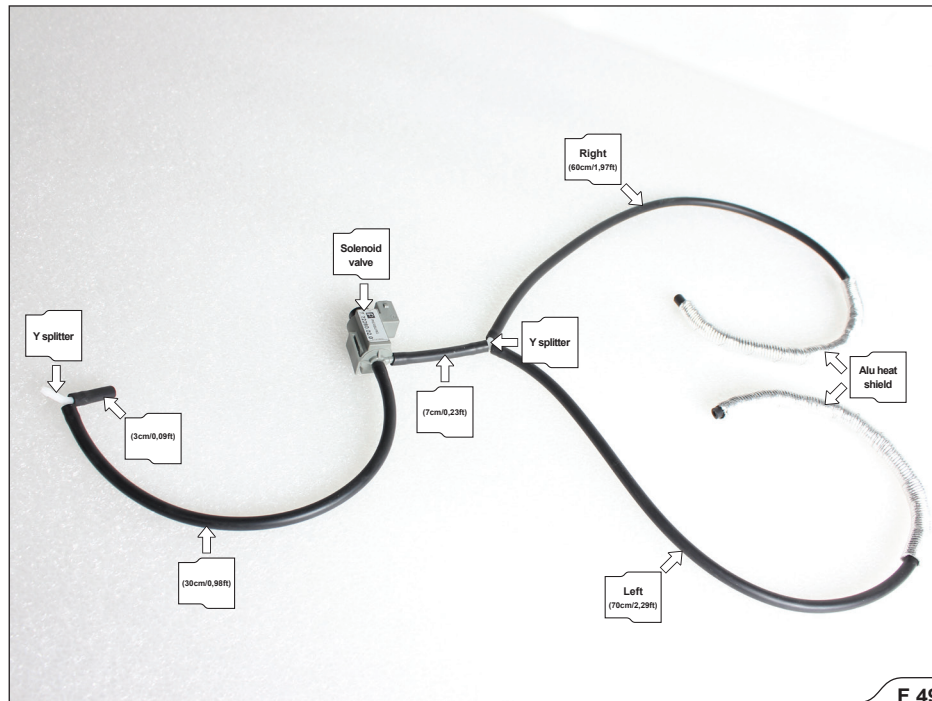
 **AKRAPOVIC**





13. Assemble the vacuum system from Akrapovič installation kit, as shown (F 49).

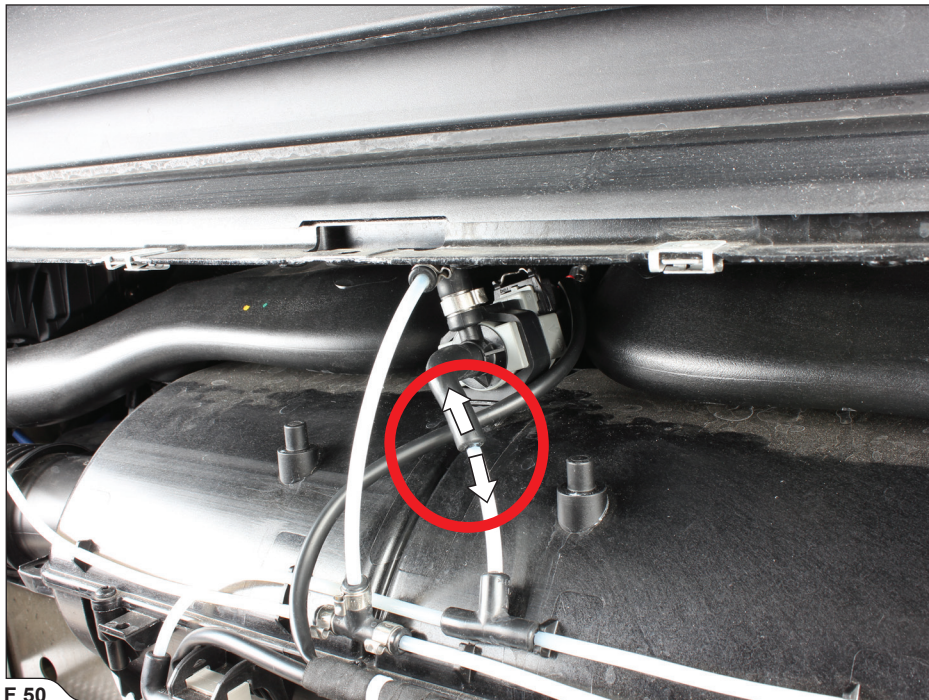
! **IMPORTANT: make sure, that all vacuum connections are correctly joint!**





14. Disconnect the marked vehicle's vacuum connection (F 50).

! **CAUTION:** make sure not to injure yourself or damage any part of the vehicle during this process!



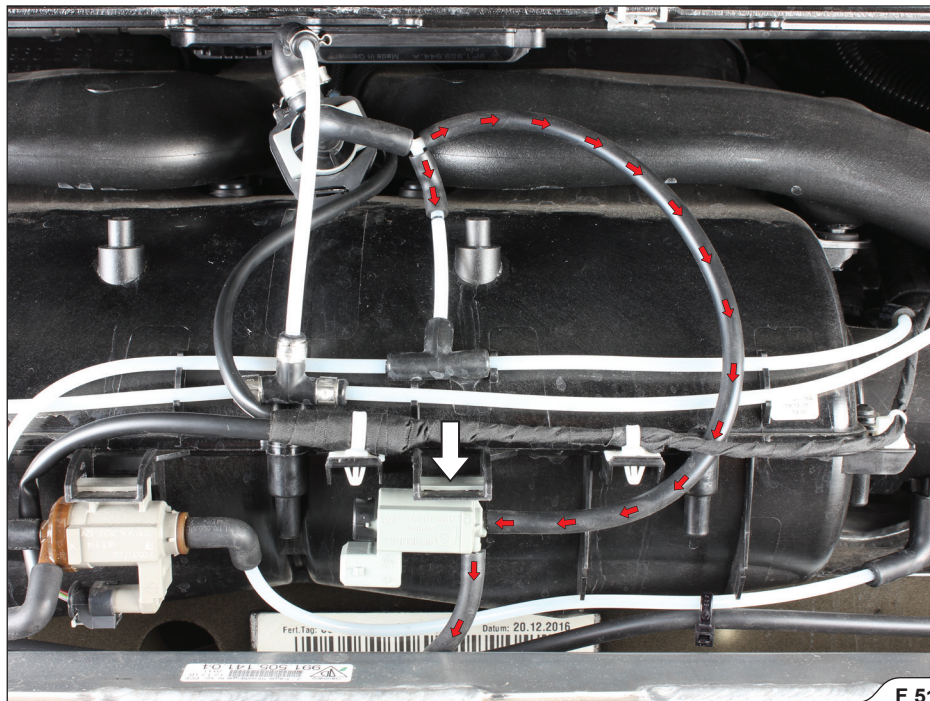
F 50





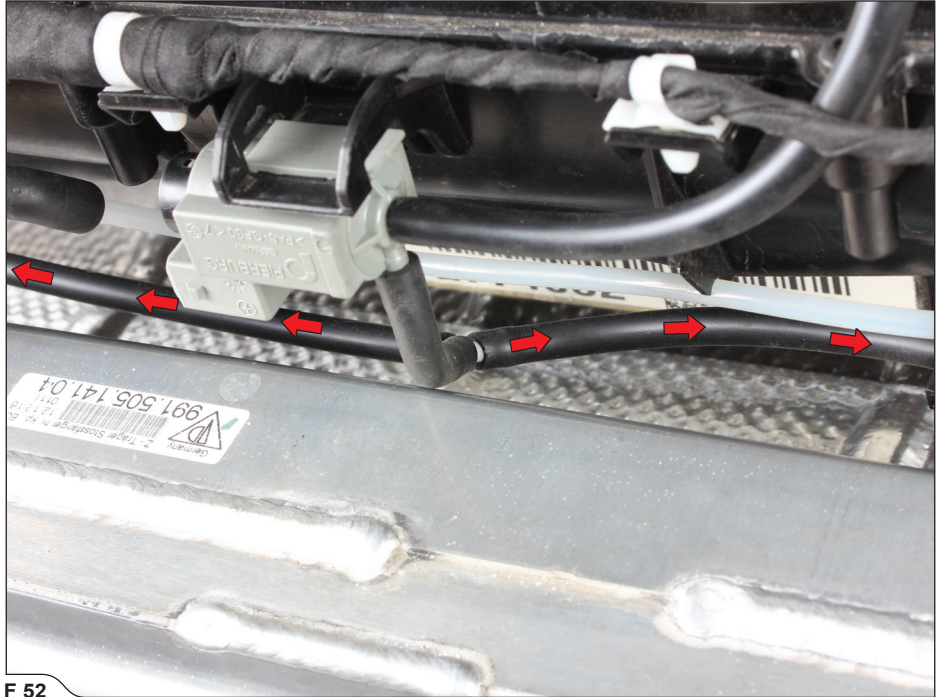
15. Attach the solenoid valve onto the marked bracket; install and secure the vacuum tubing onto the vehicle, as shown (F 51, 52, 53, 54, 55, 56).

! CAUTION: make sure not to injure yourself or damage any part of the vehicle during this process!



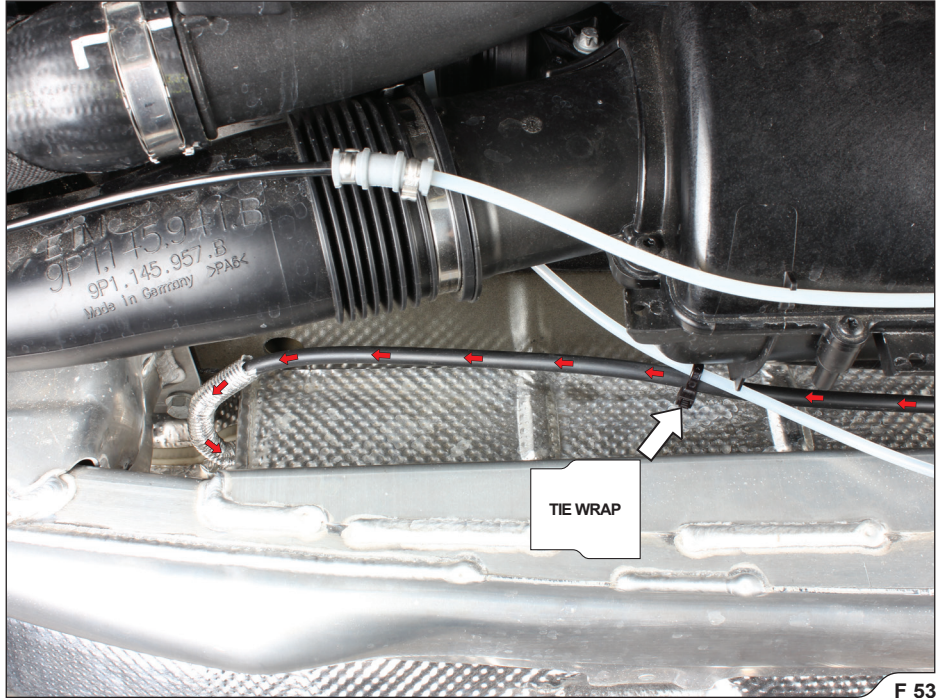
F 51

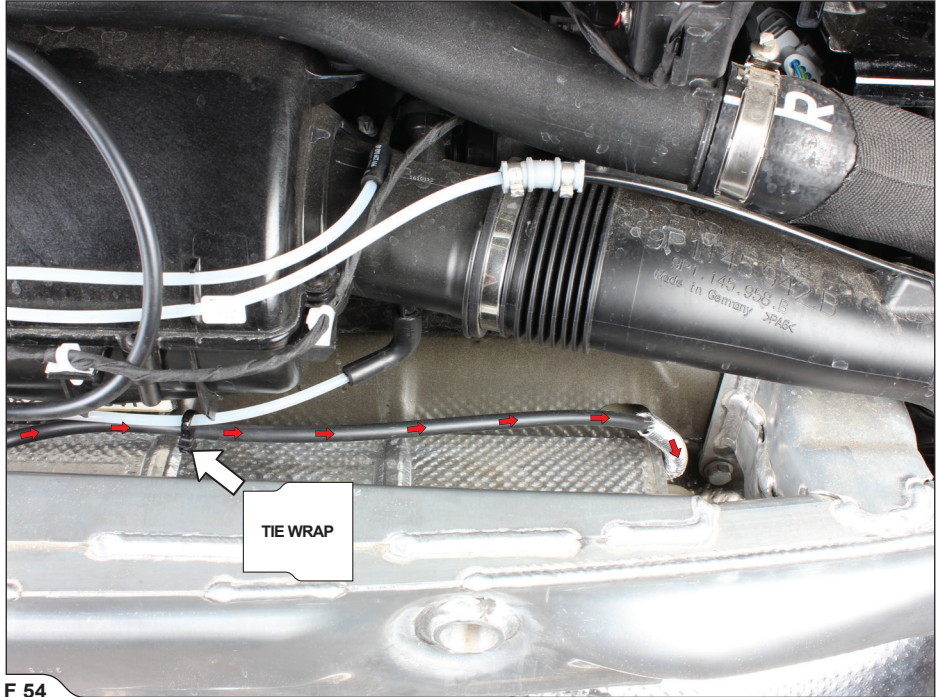




F 52





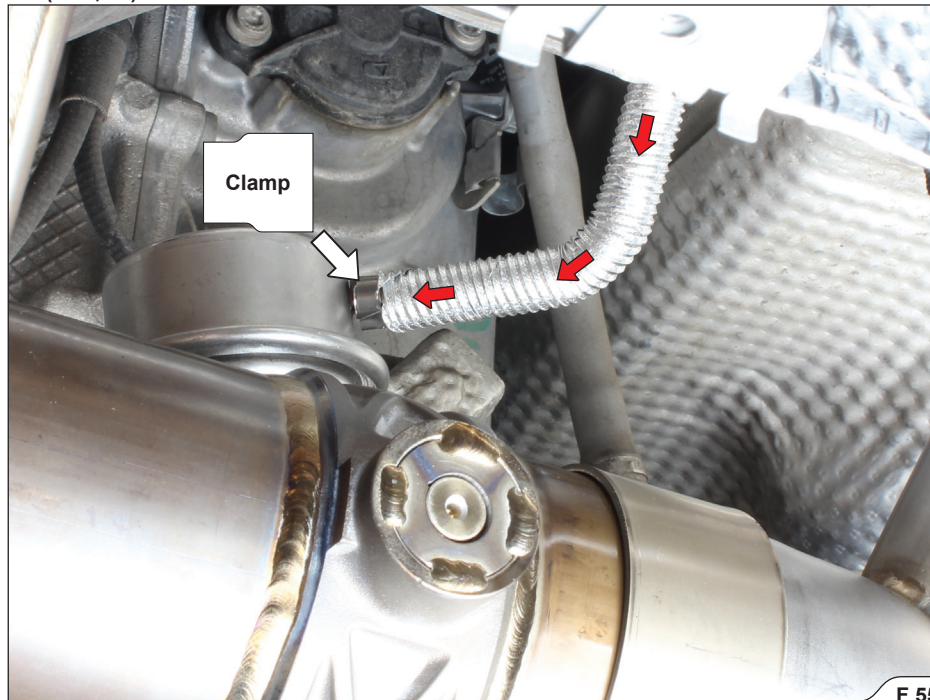


F 54



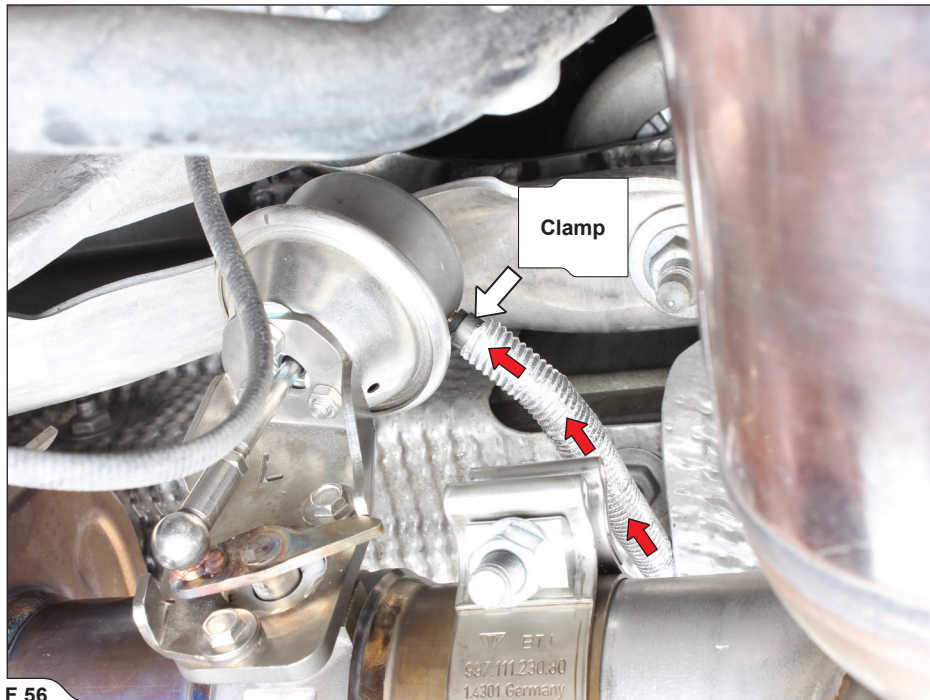


- ! **IMPORTANT:** secure the vacuum tubes onto both actuators, using clamps from Akrapovic installation kit (F 55, 56)!
- ! **IMPORTANT:** protect both exposed ends of the vacuum tubes, using Alu tube protection (F 55, 56)!



F 55





F 56

 **AKRAPOVIC**





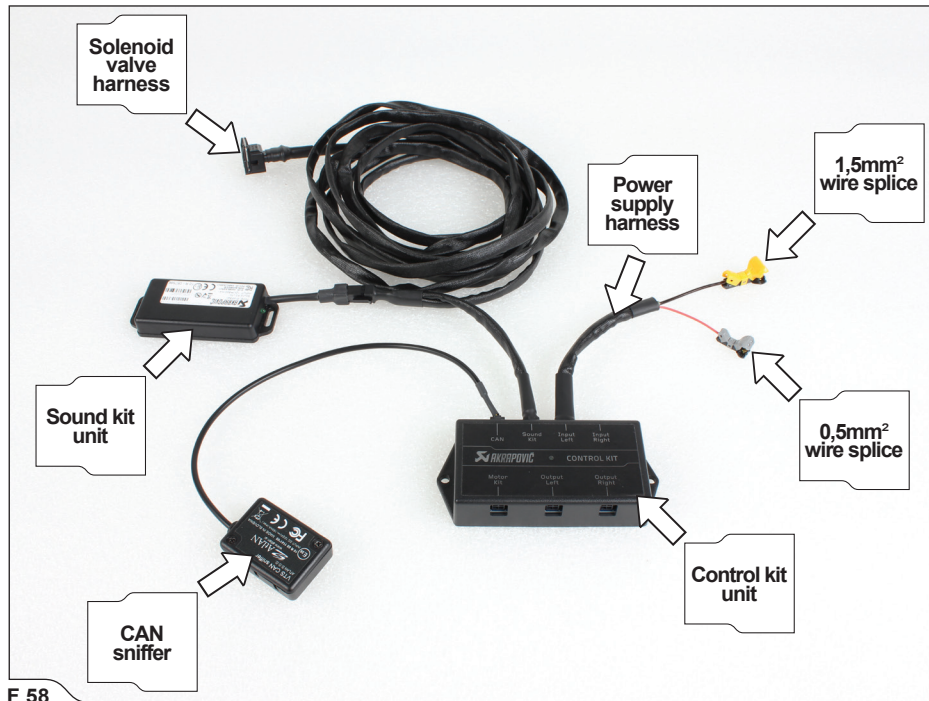
16. Open the luggage compartment trunk and remove the marked cover (F 57).

! **CAUTION:** make sure not to injure yourself or damage any part of the vehicle during this process!





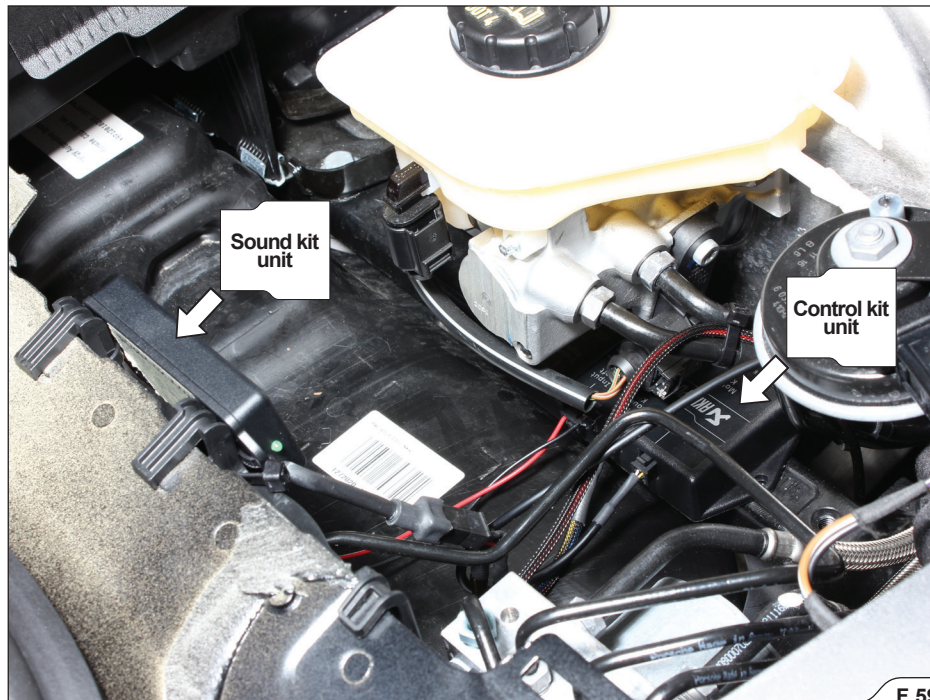
17. Assemble Sound Kit components, as shown (F 58).





18. Attach the Sound kit and Control kit units at the marked positions and secure them, using tie wraps from Akrapović installation kit (F 59).

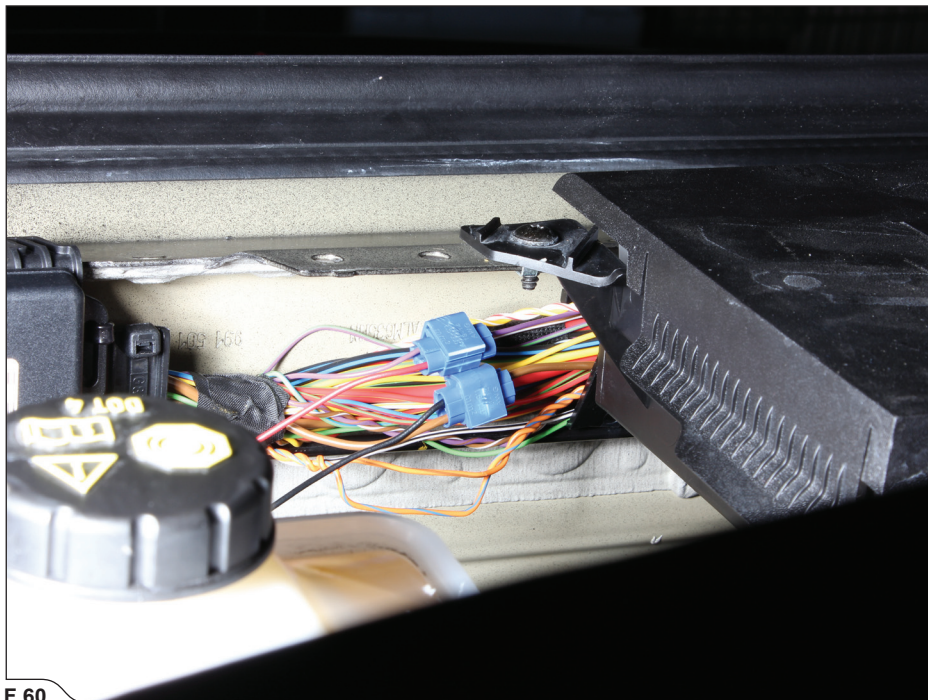
! CAUTION: make sure not to injure yourself or damage any part of the vehicle during this process!





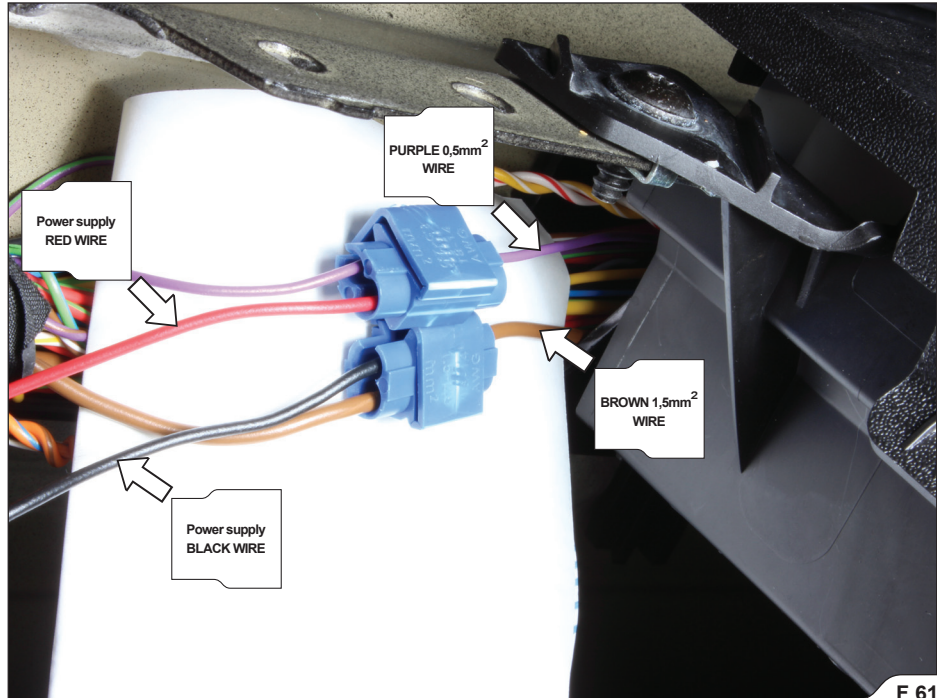
19. Carefully unwrap the vehicle's electrical harness, separate the **brown (1,5mm²)** and **purple (0,5mm²)** wires and attach the Sound kit's power supply wires, using wire splicers from Akrapovič installation kit (**F 60, 61**).

! **IMPORTANT: make sure to use the 1,5mm² wire splice on brown-black wires connection and 0,5mm² wire splice on brown-black wires connection!**



F 60

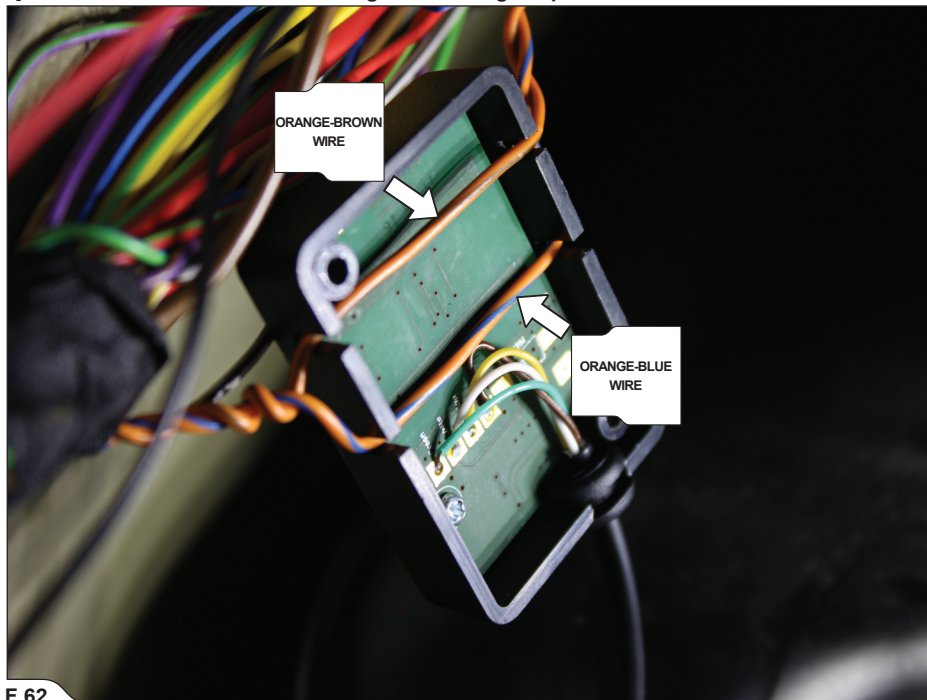






20. Carefully separate the **orange-brown** and **orange-blue** wires from vehicle's electrical harness, unscrew the CAN sniffer's cover, lead the **orange-brown** and **orange-blue** wires through the CAN sniffer's wire grooves as shown and reinstall the cover (F 62, 63).

! **IMPORTANT: make sure not damage wires during this process!**



F 62





F 63

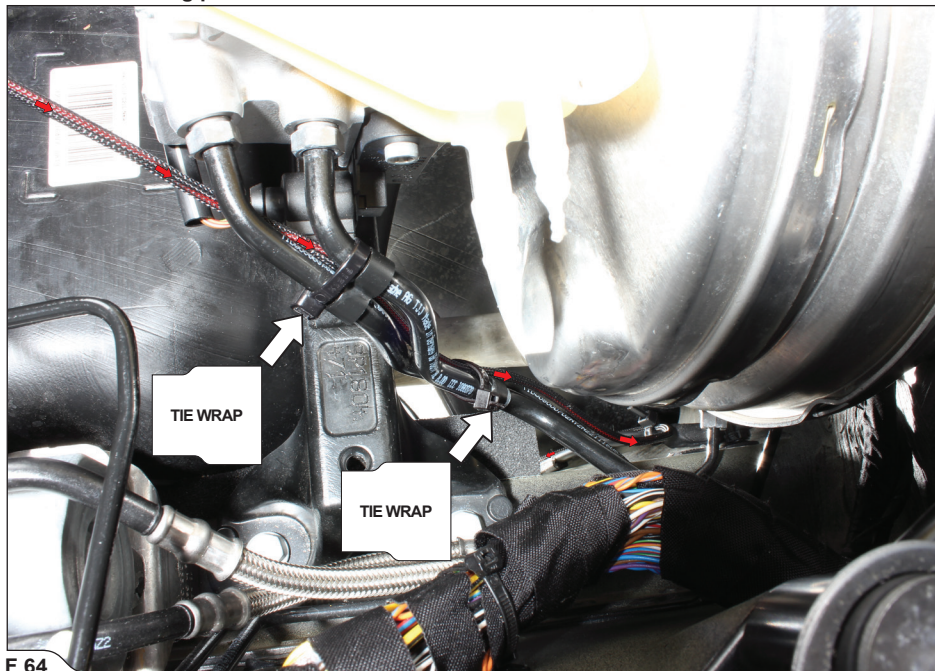


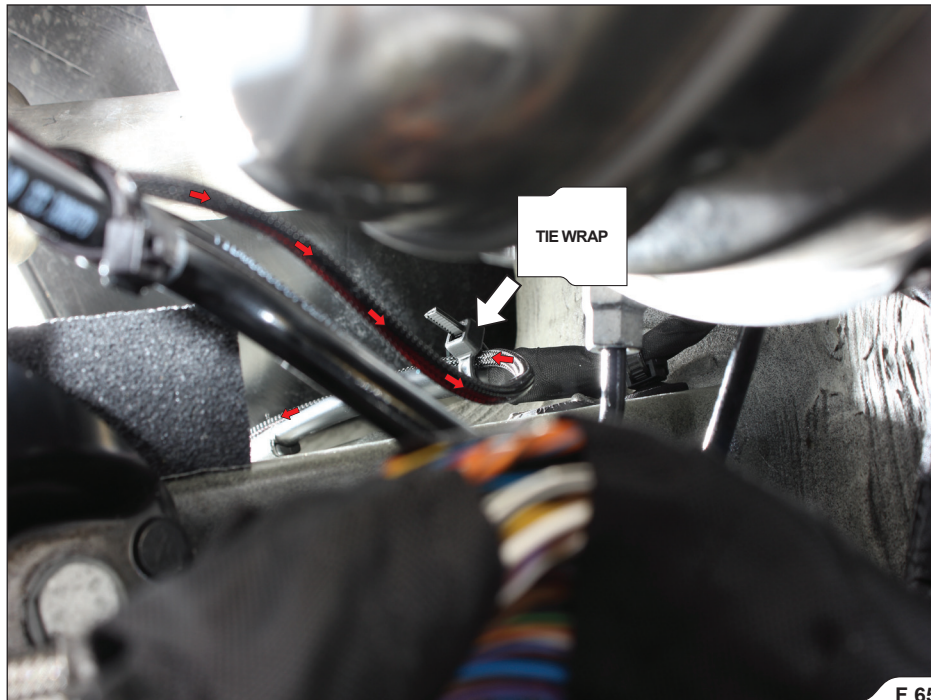


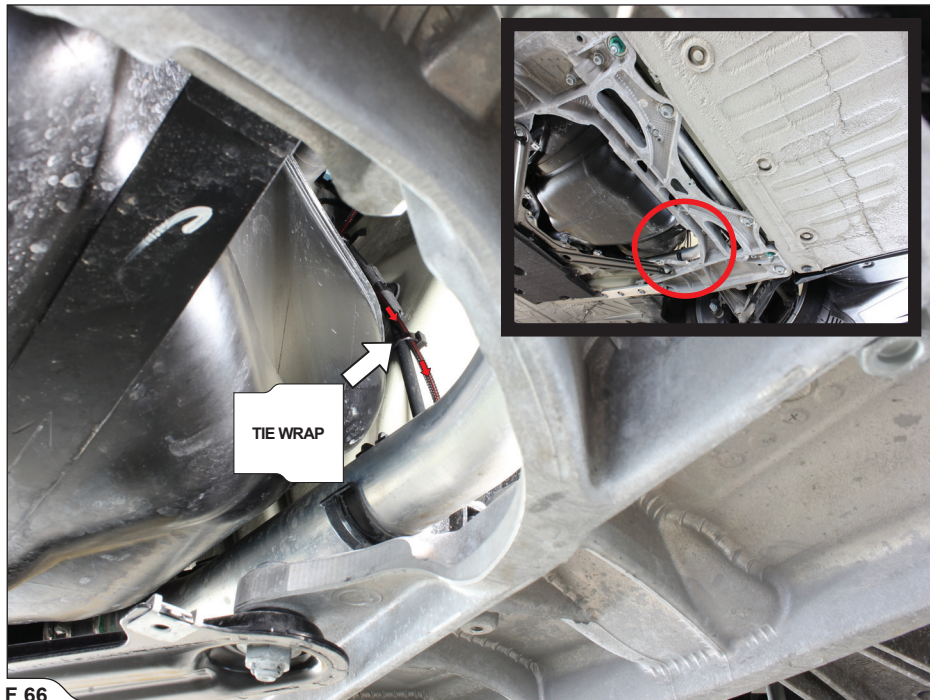
21. Lead and secure the Solenoid valve harness to the rear of the car and connect it to the solenoid valve, exactly as shown (F 64, 65, 66, 67, 68, 69, 70, 71, 72, 73).

! **IMPORTANT:** secure the harness, using tie wraps from Akrapovič installation kit and additional strong tape (not supplied in the Akrapovič installation kit)!

! **IMPORTANT:** make sure to secure the harness in such a way, that they won't touch any hot or moving parts of the vehicle!



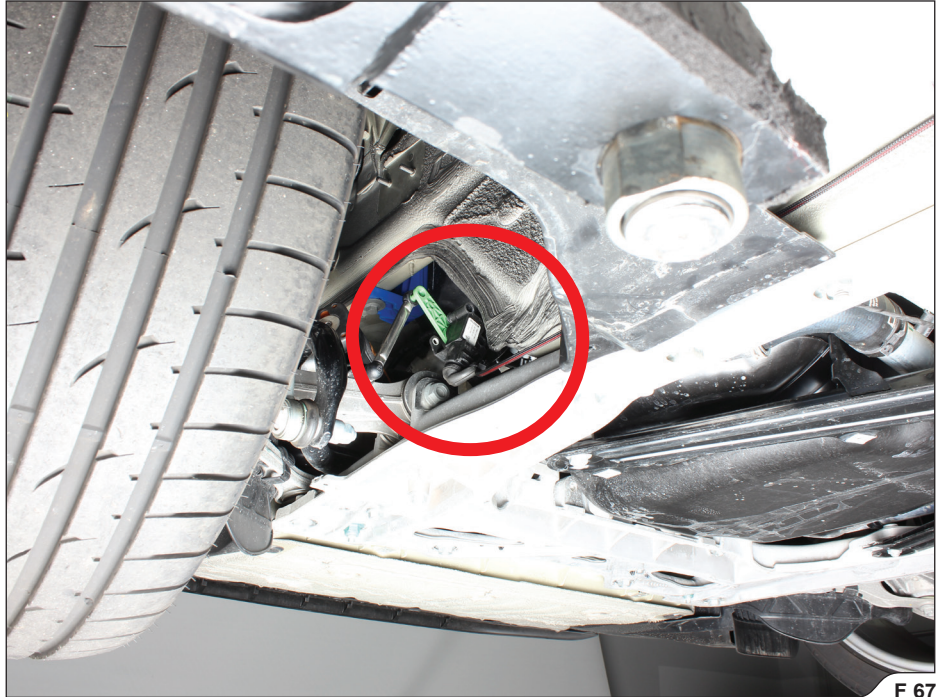




F 66

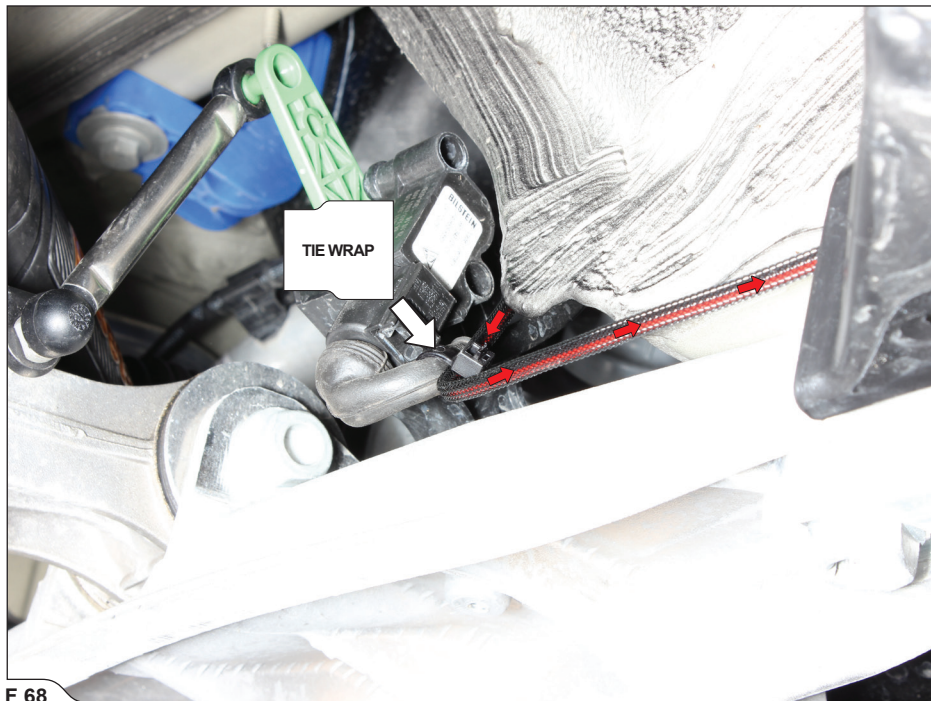
 **AKRAPOVIC**





F 67

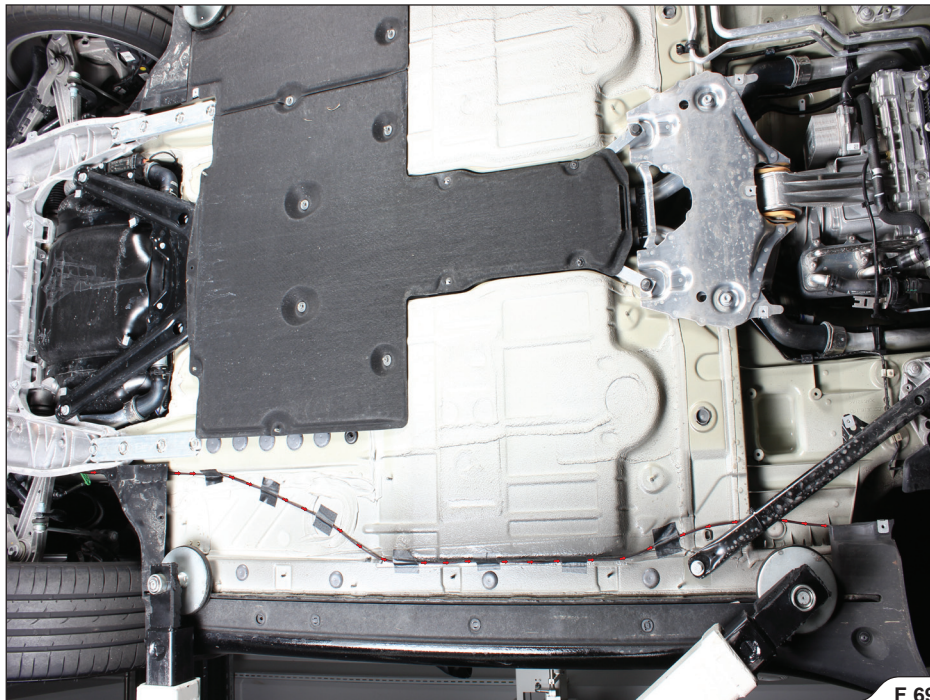




F 68

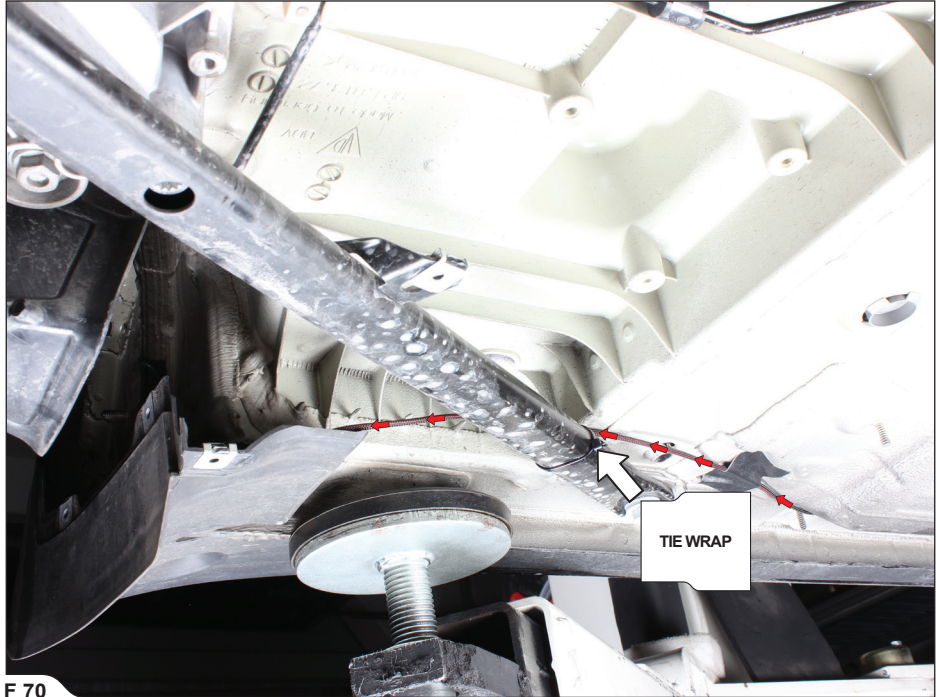
AKRAPOVIC





F 69

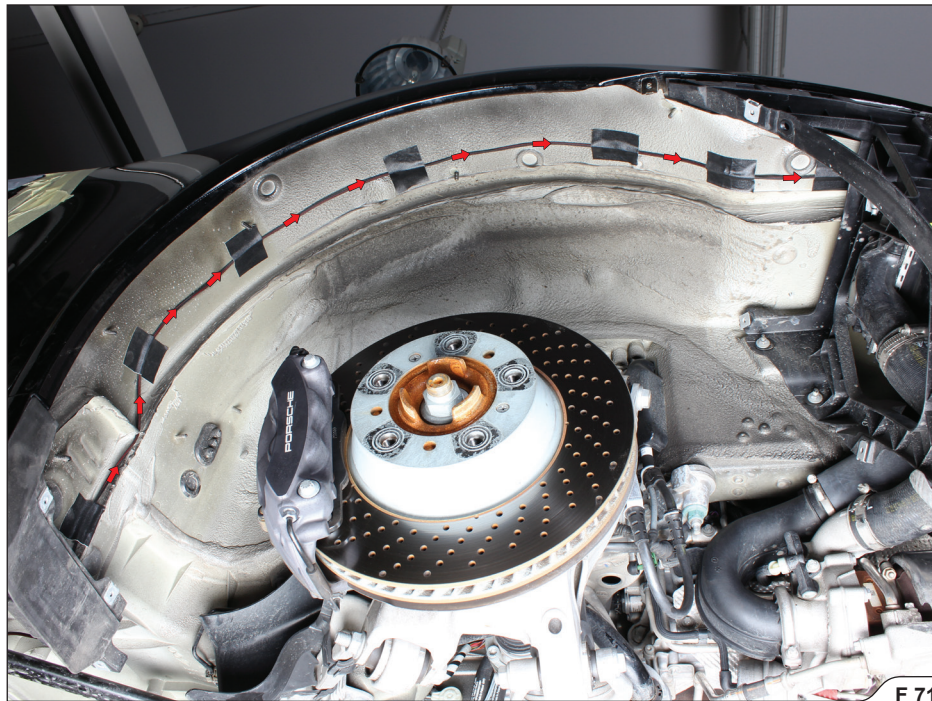


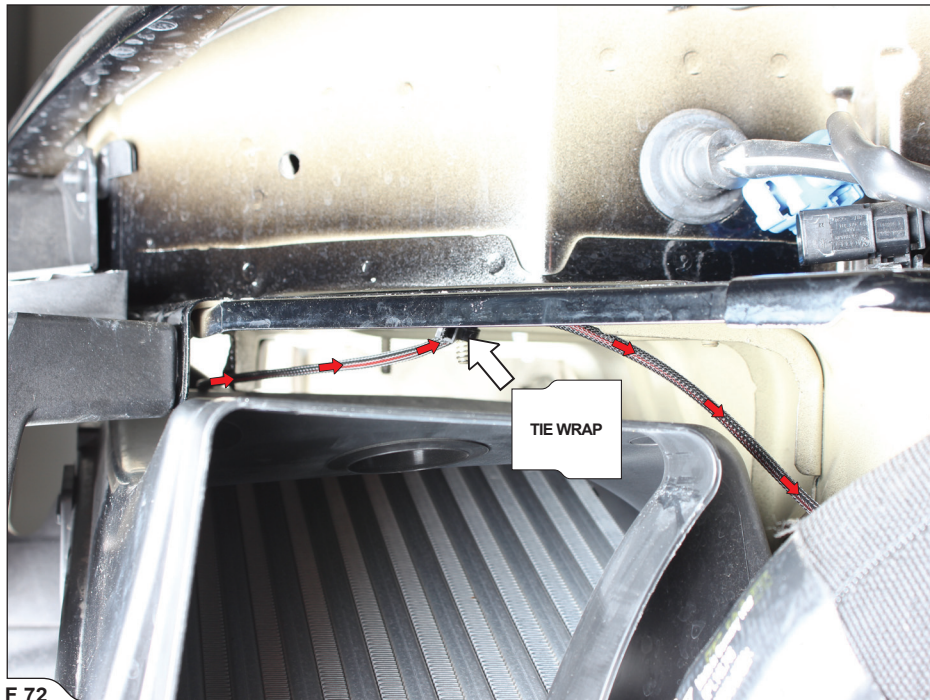


F 70

AKRAPVIC



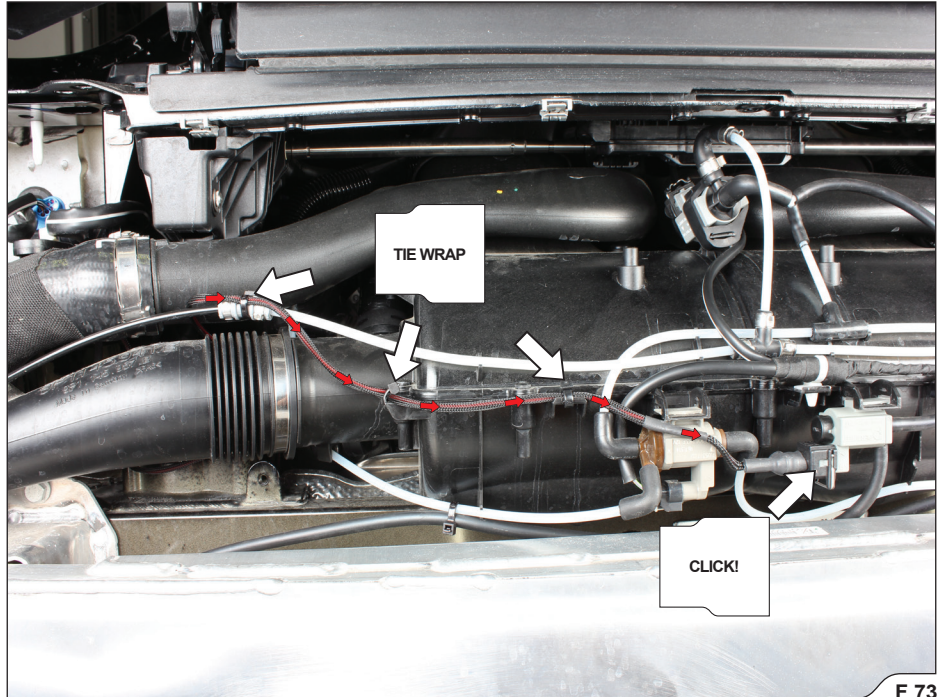




F 72

AKRAPOVIC



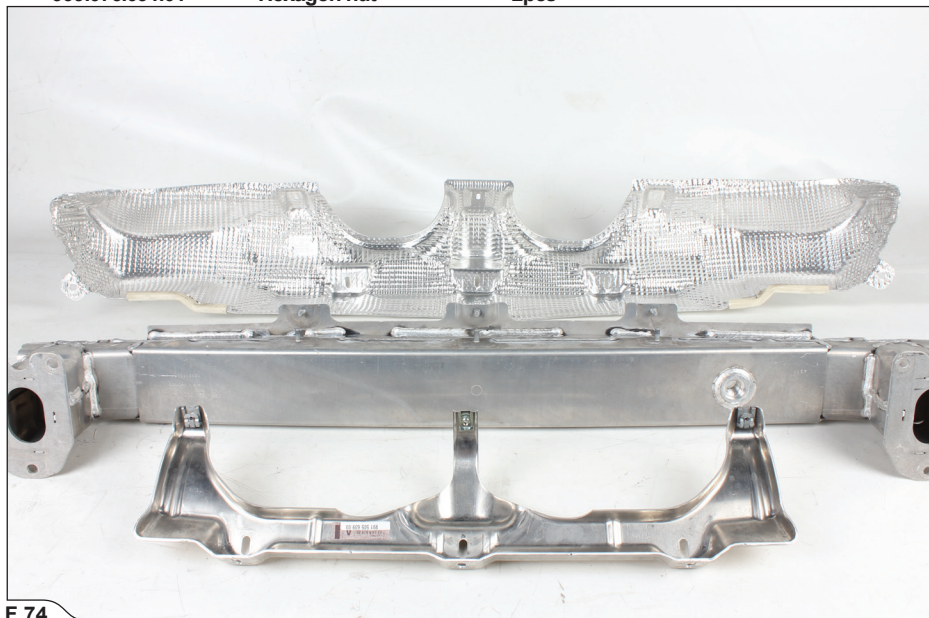




22. Install the Porsche Carrera sport version of the muffler heat shield onto the crash absorber (F 74, 75, 76, 77). Check vehicle manufacturer manual for correct tightening torques.

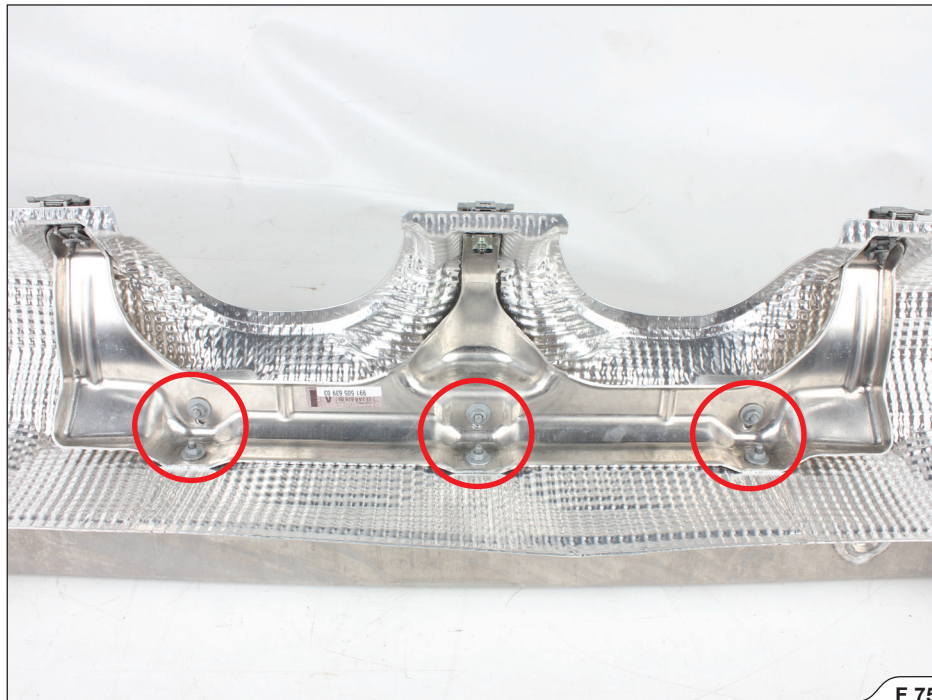
! **IMPORTANT:** for installation of the sport heat shield, you should obtain the following Porsche original parts:

996.505.649.01	Bracket	1pcs
991.505.639.03	Rear support	1pcs
991.505475.04	Heat protection Centre	1pcs
999.507.309.02	Speed nut	2pcs
999.073.418.01	Taping screw	2pcs
999.076.091.01	Hexagon nut	2pcs



F 74





F 75





F 76

 **AKRAPOVIČ**





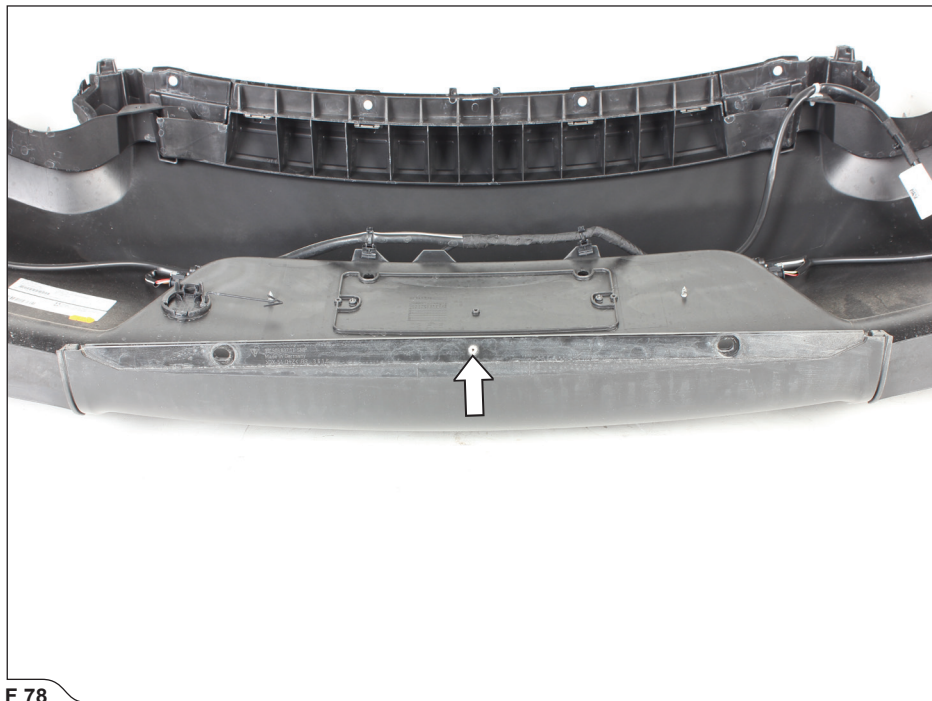
F 77





23. Drill out the marked rivet and remove the metal reinforcements off the bumper (F 78).

! **CAUTION:** make sure not to injure yourself or damage the bumper during this process!



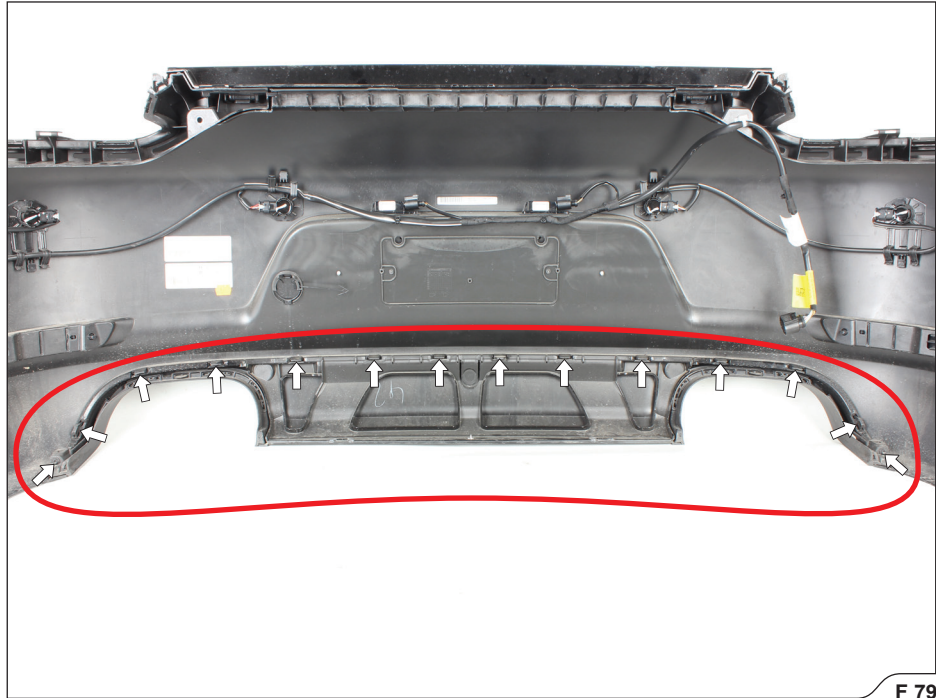
F 78





24. Unscrew the two bolts, unhook the marked fasteners and carefully remove the stock diffuser off the vehicle (**F 79**).

! **CAUTION:** make sure not to injure yourself or damage the bumper during this process!

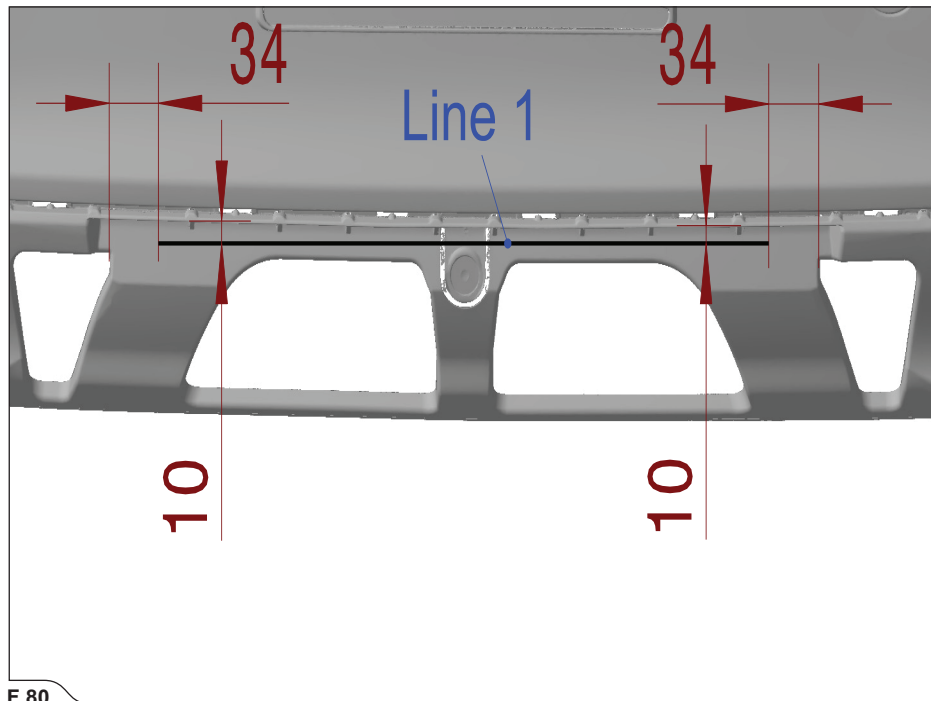




25. Mark the cutting lines onto the rear bumper exactly as shown and precisely cut the bumper along the marked lines (F 80, 81, 82, 83, 84).

! **IMPORTANT:** all measurements are in millimeters!

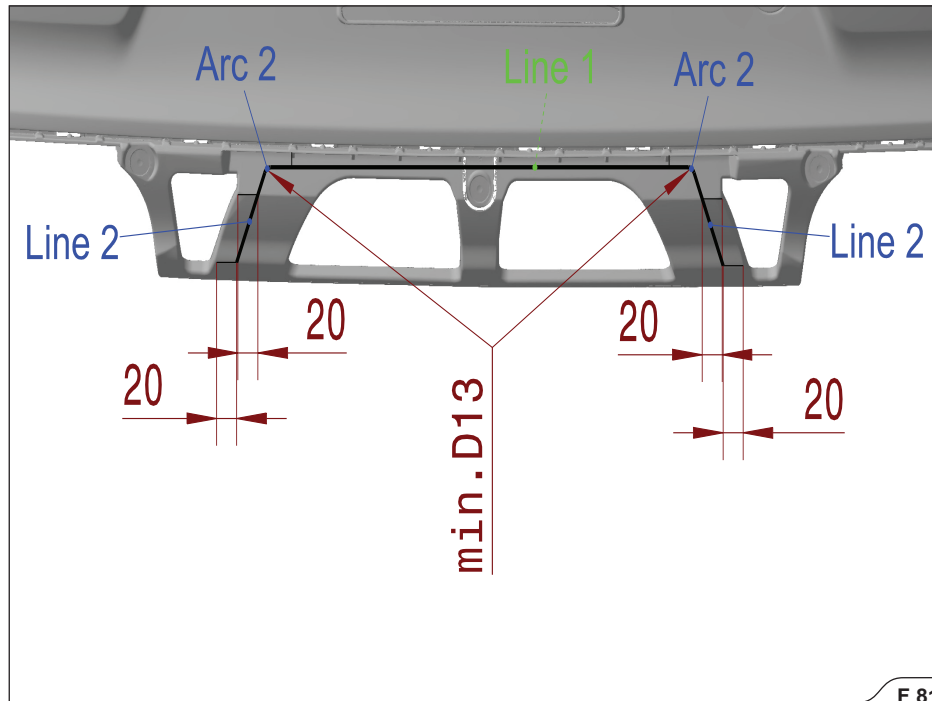
! **CAUTION:** make sure not to injure yourself or damage the bumper during this process!

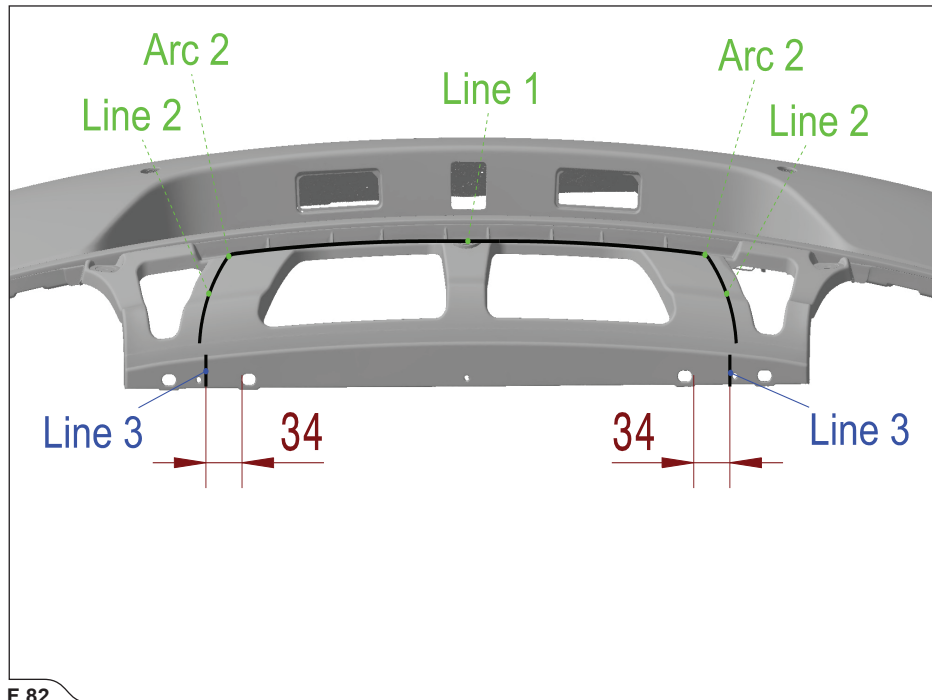


F 80

 **AKRAPOVIĆ**



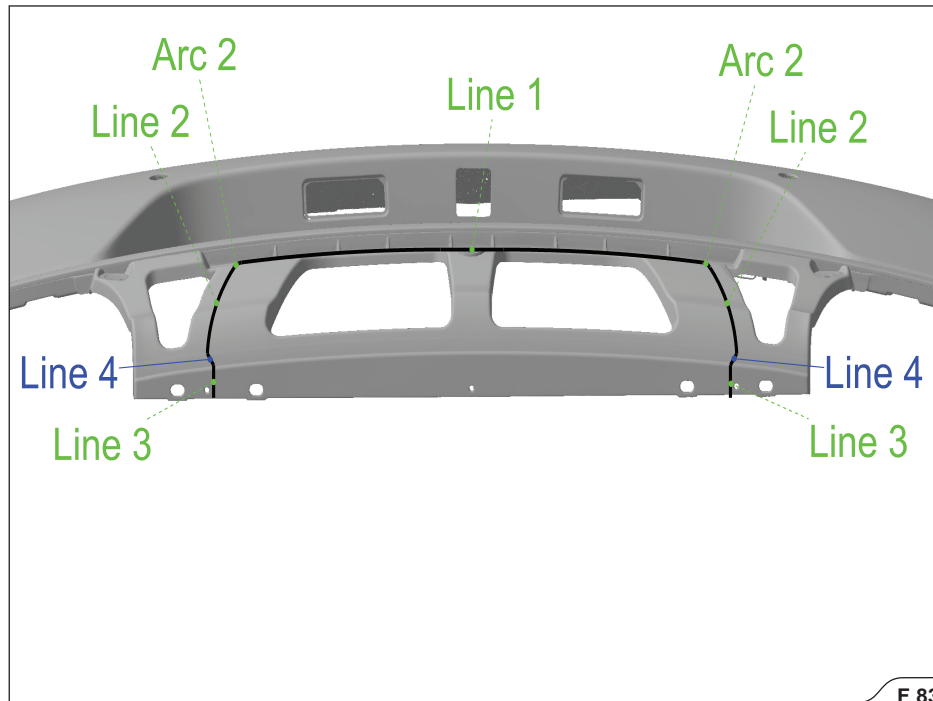




F 82

 **AKRAPOVIC**







26. Install the Akrapovič carbon fiber diffuser onto the bumper; hook the marked fasteners and tighten the two stock bolts (F 84, 85, 86).

! CAUTION: make sure not to injure yourself or damage the bumper during this process!



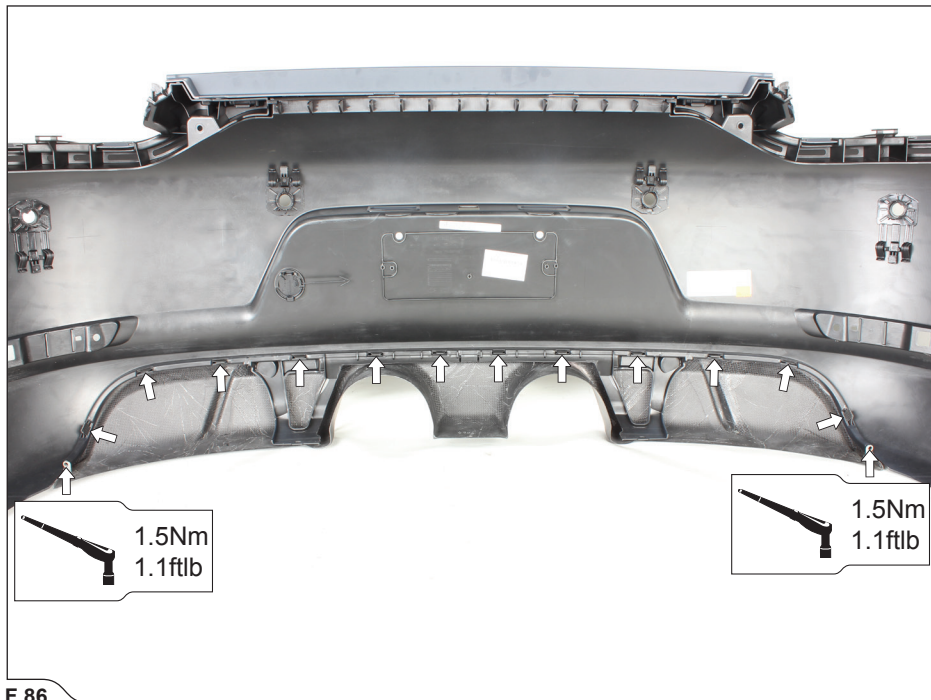
F 84





F 85





F 86





27. Replace all the dismantled stock parts (crash absorber, rear bumper, tail lights, underbody panels...) in the reverse order from the order in which they were removed. Check vehicle manufacturer manual for tightening torques.

! CAUTION: make sure not to injure yourself or damage any part of the vehicle during this process!

28. Orient and assemble the clamps and spherical rings onto the tail pipes, as shown (F 87).

! CAUTION: make sure, not to injure yourself or damage the tail pipes during this process!



F 87





29. Slide the tail-pipes onto the muffler outlets. Adjust, rotate and center them in respect to rear bumper and according to your personal preference; tighten the tail pipes' clamps to the specified torque (**F 88, 89, 90**).

! **IMPORTANT:** make sure, not to damage tail pipes or any part of the vehicle during this process!



F 88

AKRAPOVIČ







F 90

 **AKRAPOVIC**

101/104





FINAL INSTALLATION:

- ! **IMPORTANT:** reinstall the dismantled or partially removed stock parts (wheel arches, bumper etc.); check vehicle manufacturer manual for tightening torques.
- ! **IMPORTANT:** make sure all the nuts and bolts are sufficiently tightened. In case the exhaust system touches the cowl or other parts, repeat the adjustment of the exhaust system or contact your authorized dealer.
- ! **IMPORTANT:** clean all exhaust components before the first start of the engine or the stains will burn onto the surfaces!

MAINTENANCE OF THE AKRAPOVIČ EXHAUST SYSTEM:

1. Clean the titanium exhaust components with a multi-purpose spray lubricant (WD-40[®] or equivalent)*, carbon fiber exhaust components with soft and dry cloth and stainless steel components with soft cloth sprayed with contact cleaner, then wipe with soft and dry cloth. A change in the color of the exhaust system is normal due to high temperatures.
2. Periodically make sure all the bolts and springs are sufficiently tight.

*WD-40[®] is a trademark of the WD-40 Company.

✂ INSTALLATION TIP: IT IS NORMAL FOR WHITE SMOKE TO COME OUT OF THE MUFFLER AT FIRST OPERATION.

- ! **CAUTION: DO NOT STAND BEHIND THE MUFFLER AT ANY TIME.**
- ! **CAUTION: DO NOT USE AUTOMOTIVE WHEEL CLEANERS OR ANY CLEANING PRODUCTS WHICH CONTAIN ACIDIC ADDITIVES TO CLEAN THE AKRAPOVIČ EXHAUST SYSTEMS.**

WARNING: THE EXHAUST SYSTEM CAN BE EXTREMELY HOT. ALLOW THE EXHAUST AND ENGINE TO COOL DOWN BEFORE BEGINNING INSTALLATION OR ANY OTHER WORK ON THE EXHAUST SYSTEM. THIS MANUAL IS SPECIFIC TO THE PORSCHE 911 CARRERA TYPE 991.2. THERE MAY BE SOME DIFFERENCES IN INSTALLATION PROCEDURES FOR OTHER MODELS.





TROUBLESHOOTING:

Problem	Possible cause	Solution
Exhaust gas leaks out of the muffler/pipe clamp connections	loosened clamp	tighten the clamp to specified torque
	connection is not completely joined	tap the connection into place and tighten the clamp to specified torque
Valves are not moving	No supply	Check green LED on the Control Kit. If the LED is off: <ul style="list-style-type: none">• Check electrical connection and connectors• Check exhaust valves fuse (D4 fuse spot)
	Error detected	Check green LED on the Control Kit. If the LED is blinking fast: <ul style="list-style-type: none">• Check electrical connections and connectors• Try to use the Sound Kit remote controller. If valves are turning, then check how the CAN Sniffer is installed





www.akrapovic.com

