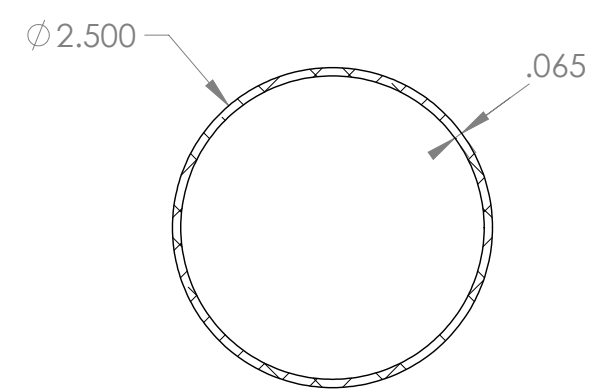
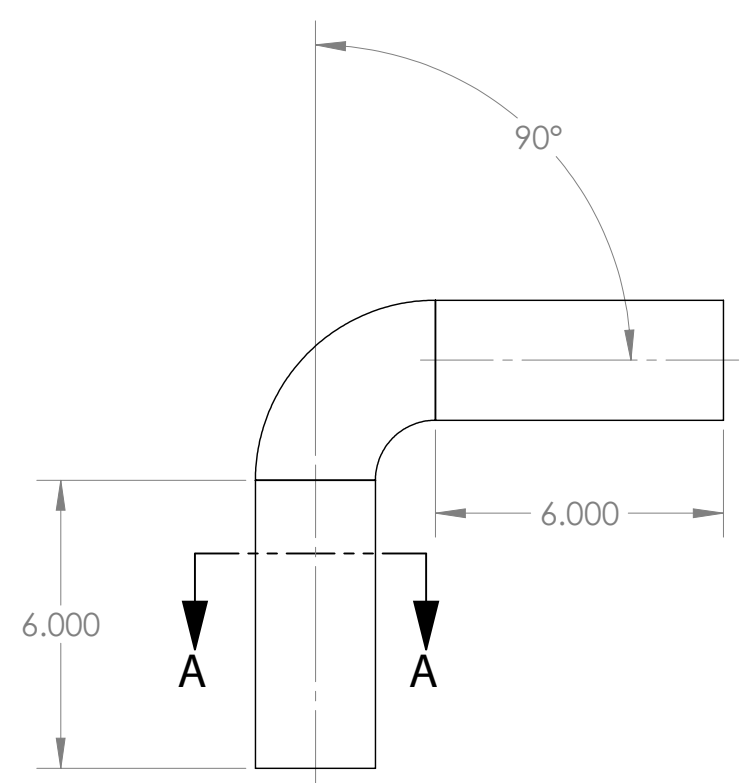
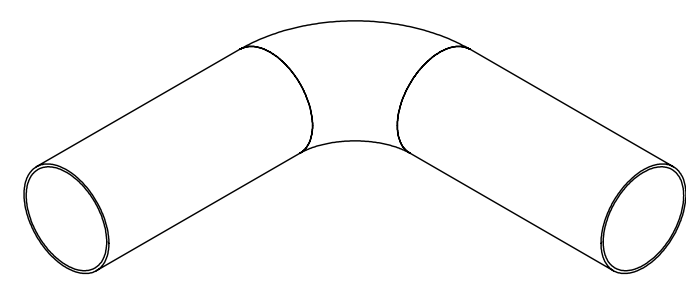


8 7 6 5 4 3 2 1

D
C
B
A



SECTION A-A
SCALE 1 : 1.5



D
C
B
A

AEM			
TITLE RAW TUBE. 2.50 DIA. AL, 90 DEG BEND, 1D			
SIZE B	DWG. NO. AEM-2-001-90	REV. A	
SCALE 1:4	<input type="radio"/> UK	<input checked="" type="radio"/> USA	<input type="radio"/>
			SHEET 1 OF 1

8 7 6 5 4 3 2 1