



Equipped with AEM® Dryflow™ Filter  
No Oil Required!

## INSTALLATION INSTRUCTIONS

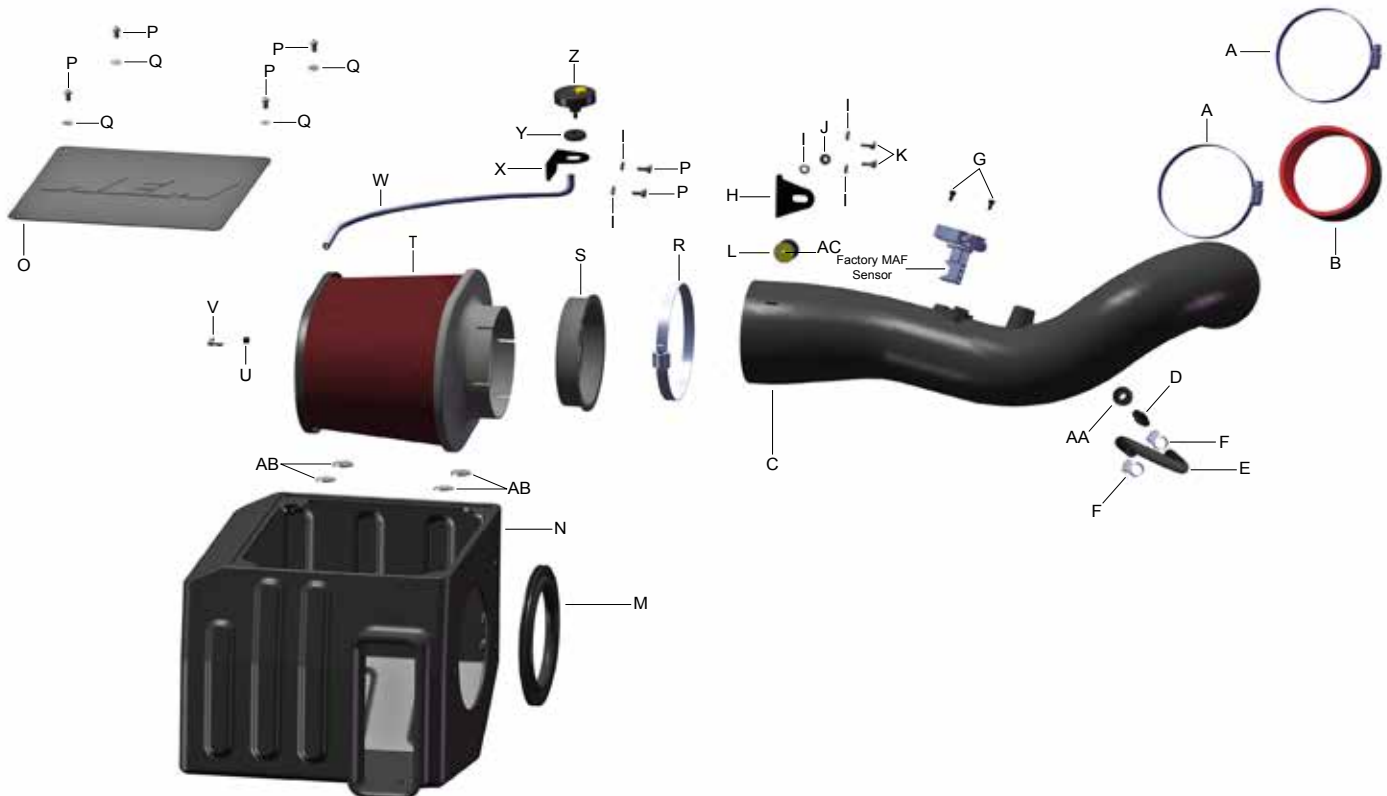
### PART NUMBER: 21-8030

2009-2013	CADILLAC	Escalade	V8	6.2L	D-670-21
2009-2013	CADILLAC	Escalade EXT	V8	6.2L	D-670-21
2009-2013	CADILLAC	Escalade ESV	V8	6.2L	D-670-21
2009-2013	CHEVROLET	Avalanche	V8	5.3L	D-670-21
2009	CHEVROLET	Avalanche	V8	6.0L	D-670-21
2009-2013	CHEVROLET	Silverado 1500	V8	4.8L	D-670-21
2009-2013	CHEVROLET	Silverado 1500	V8	5.3L	D-670-21
2009	CHEVROLET	Silverado 1500	V8	6.0L	D-670-21
2009-2013	CHEVROLET	Silverado 1500	V8	6.2L	D-670-21
2009-2013	CHEVROLET	Suburban 1500	V8	5.3L	D-670-21
2009	CHEVROLET	Suburban 1500	V8	6.0L	D-670-21
2009	CHEVROLET	Tahoe	V8	4.8L	D-670-21
2009-2014	CHEVROLET	Tahoe	V8	5.3L	D-670-21
2009	CHEVROLET	Tahoe	V8	6.2L	D-670-21
2009-2013	GMC	Sierra 1500	V8	4.8L	D-670-21
2009-2013	GMC	Sierra 1500	V8	5.3L	D-670-21
2009	GMC	Sierra 1500	V8	6.0L	D-670-21
2009-2013	GMC	Sierra 1500	V8	6.2L	D-670-21
2009-2013	GMC	Sierra Denali	V8	6.2L	D-670-21
2009-2011	GMC	Yukon	V8	4.8L	D-670-6
2009-2014	GMC	Yukon	V8	5.3L	D-670-21
2011	GMC	Yukon	V8	6.2L	
2009-2014	GMC	Yukon Denali	V8	6.2L	D-670-21
2009-2014	GMC	Yukon Denali XL	V8	6.2L	D-670-21
2009-2013	GMC	Yukon XL 1500	V8	5.3L	D-670-21
2014	GMC	Yukon XL 1500	V8	5.3L	
2009	GMC	Yukon XL 1500	V8	6.0L	D-670-21
2009-2011	GMC	Yukon XL 1500	V8	6.2L	D-670-21

Some intake systems are not legal for sale or use on any pollution controlled motor vehicle in California or states adopting CA emission procedures. See AEMIntakes.com for CARB status on each part for a specific vehicle.

## PARTS LIST

	Description	Qty.	Part Number
A	Hose Clamp, 3.56-4.50"	2	9464
B	Hose, Silicone 4.00x2" Black	1	5-402
C	Inlet Tube	1	9-0391
D	Connector, Plastic 3/8" Straight	1	8-125
E	Hose; 3/8"ID X 12"L	1	5-1012
F	Hose Clamp, 5/8"	2	4093-3
G	Bolt, Socket M4-.7 X 8mm	2	1-2105
H	Bracket; 21-8030, Tube	1	32-3079
I	Washer, M6 X 12mm OD SS	5	1-3016
J	Nut, M6 Hex Serrated	1	444.460.04
K	Bolt, Hex M6-1 X 12mm	2	1-2065
L	Stud; Rubber Mount, M6 X 1, 1" T, M/F	1	02033
M	Edge Trim	1	102494
N	Air box	1	9-0390-1
O	Air box Lid	1	20-8514
P	Bolt, Button Head M6-1.0 X 10mm	6	1-112
Q	Washer, #12 Nylon 6/6	4	1-3001
R	Hose Clamp, 4.75-5.50"	1	103-BLO-8020N
S	Adapter; Filter	1	5-1051
T	Air Filter Kit 5" X 7" DSL Oval Dryflow	1	21-2277DK
U	Grommet, 1/8"	1	784631
V	Elbow, Plastic 5/32" 90 Degree	1	8-152
W	Hose; 5/32"ID X 20"L	1	5-3020
X	Bracket, Support Filter Minder	1	32-3017
Y	Grommet, 1/2"	1	784634
Z	Filter Minder, 20"	1	35-80321
AA	Grommet; 7/8"OD, 3/8"ID, 7/16"tThk., 3/16"Gap	1	784638
AB	Washer; 1"D X 1/4 Hole Fender	4	08160
AC	SCREW; SET M6X1X25	1	1-1018



Read and understand these instructions **BEFORE** attempting to install this product. Failure to follow installation instructions and not using the provided hardware may damage the intake tube, throttle body and engine.

## 1. Preparing Vehicle

- a. Make sure vehicle is parked on level surface.
- b. Set parking brake.
- c. If engine has run in the past two hours, let it cool down.
- d. Disconnect negative battery terminal.
- e. Do not discard stock components after removal of the factory system.

## 2. Removal of stock system



a. Remove the engine cover; lift up to release the tabs from the grommets that secure it in place.



b. Unplug the MAF sensor connector from the MAF sensor.



c. Loosen the hose clamp on the throttle body end of the inlet tube.



d. Loosen the hose clamp that secures the inlet tube to the air filter box.



e. Unclip the inlet tube from the plastic bracket attached to the radiator hose.



f. Remove the PCV line from the factory air inlet assembly.



g. Remove the factory air inlet assembly from the vehicle.



h. Remove the PCV line. Release the tab at the end of the line, this should allow the PCV line to slip off of the barbed end of the metal tube it is attached to.





i. Remove the factory air filter box; lift up to release the bottom air box tabs from the grommets that secure it in place.



j. Remove the four bolts from the bottom tray and remove from the vehicle. Retain the bolts as they will be used during the installation of the AEM® intake system.



k. Remove the bolt and nut used to fasten the radiator overflow tank.



l. Lift and move the radiator overflow tank to make room for the new AEM® air box.

### 3. Installation of AEM® Intake System

a. When installing the intake system, do not completely tighten the hose clamps or mounting hardware until instructed to do so.



b. Install the edge trim around the intake tube inlet of the air box.



c. Remove the two clips securing the rubber shroud to the radiator support.



d. Install the AEM® air box into the engine bay where the bottom tray of the factory air box was previously installed. Secure the rubber shroud to the air box by snapping the clips into the holes of the air box as shown.



e. Secure the air box to the vehicle by securing it with the the 4 factory bolts removed in step 2j and the 4 supplied fender washers (08160).



f. Install the supplied 1/2" grommet into the filter minder bracket (32-3017).



g. Attach the filter minder bracket to the air box using 2 of the supplied button head bolts.





h. Insert the filter minder into the filter minder bracket.



i. Attach the 5/32" hose to the filter minder's nipple and route the hose through the hole in the air box.



j. Remove the mass airflow sensor from the factory air box and install it in the AEM® intake tube using the supplied socket bolts.



k. Install the supplied set screw into the female side of the rubber mount until it is 3/8" away from the rubber.



l. Thread the **shorter end** of the rubber mount into the intake tube as shown.



m. Orient the bracket (32-3079) onto the rubber mount and secure with the supplied washer and nut.



n. Install the grommet in the intake tube.



o. Install the coupler onto the throttle body.



p. Install two hose clamps onto the coupler.



q. Replace the overflow tank in its original location and fasten it with the factory nut and bolt that were removed in step 2k.



r. Remove the plastic clip attached to the upper radiator hose.



s. Flip the plastic clip around and position it on the upper radiator hose as shown.





t. Reconnect the smaller hose to the plastic radiator clip.



u. Drill a 7/32" hole in the air filter lid in the location shown.



v. Install the 1/8" grommet in the hole drilled out in the previous step.



w. Install the 90° degree elbow into the grommet. To ease the installation of the elbow, you may use a small amount of soapy water.



x. Insert the filter adapter into the air filter; then install the large hose clamp over the filter neck.



y. Connect the filter minder's 5/32" hose to the 90° elbow installed in the air filter's cap, then place the air filter in the air box.



z. Route the intake tube under the coolant hoses and into the air box hole. Then insert the intake tube end with the "AEM® logo" into the coupler installed on the throttle body.



aa. Attach the intake tube bracket to the air box using the supplied bolts and washers.



ab. Install the radiator hose clip into the threaded insert as shown.



ac. Attach the air filter to the intake tube and orient for best fitment as shown.



ad. Secure the air filter assembly to the intake tube ensuring that the slot of the air filter neck aligns with the notch on the intake tube.



ae. Install the 3/8" straight connector into one end of the 3/8" hose. Also slide the small hose clamps over each end of the hose.





af. Attach the 3/8" hose to the metal tube that the factory PCV line was originally attached to. Ensure that the PCV hose slides over the barb and is secured with the 5/8" hose clamp (4093-3).



ag. Insert the opposite end of the 3/8" hose into the grommet installed on the intake tube.



ah. Connect the MAF sensor harness to the mass sensor.



ai. Install the air box lid and secure it with the supplied washers and bolts.



AEM® intake system installed



#### 4. Reassemble Vehicle

- a. Position the inlet pipes for the best fitment. Be sure that the pipes or any other components do not contact any part of the vehicle. Tighten the rubber mount, all bolts, and hose clamps.
- b. Check for proper hood clearance. Re-adjust pipes if necessary and re-tighten them.
- c. Inspect the engine bay for any loose tools and check that all fasteners that were moved or removed are properly tightened.
- d. Reconnect negative battery terminal and start engine. Let the vehicle idle for 3 minutes. Perform a final inspection before driving the vehicle.

#### 5. CARB Sticker Placement

- a. The C.A.R.B. exemption sticker, (attached), must be visible under the hood so that an emissions inspector can see it when the vehicle is required to be tested for emissions. California requires testing every two years, other states may vary.
- b. Most General Motors trucks (including Chevrolet) have the Vehicle Emissions Certification Information (VECI) label affixed to the air filter box. In order to be compliant with California emissions laws, the label MUST remain in the engine compartment. If the Vehicle Emission Control Information label is removed during modification, a new replacement label must be obtained and installed in a readily visible position in the engine compartment. The label shall not be affixed to any equipment which is easily detached from the vehicle. We recommend that the label is affixed to the underside of the hood adjacent to the hood latch. The label is Vehicle Identification Number dependent and can be ordered from the vehicle dealership. In order to receive the proper decal please bring your VIN with you. Failure to have the VECI under the hood may result in failure of a pre-registration smog test.

#### 6. Service and Maintenance

- a. AEM Induction Systems requires cleaning the intake system's air filter element every 100,000 miles. When used in dusty or off-road environments, our filters will require cleaning more often. We recommend that you visually inspect your filter once every 25,000 miles to determine if the screen is still visible. When the screen is no longer visible some place on the filter element, it is time to clean it. To clean, purchase our Synthetic air filter cleaner, part number 99-0624 and follow the easy instructions.
- b. Use window cleaner to clean your powder coated AEM® intake tube. **NOTE: DO NOT USE aluminum polish on powder coated AEM® intake tubes.**

For technical inquiries  
e-mail us at  
[sales@aemintakes.com](mailto:sales@aemintakes.com)  
or  
call us at  
800.992.3000

#### AEM Air Intake System Warranty Policy

AEM® warrants that its intake systems will last for the life of your vehicle. AEM will not honor this warranty due to mechanical damage (i.e. improper installation or fitment), damage from misuse, accidents or flying debris. AEM will not warrant its powder coating if the finish has been cleaned with a hydrocarbon-based solvent. The powder coating should only be cleaned with a mild soap and water solution. Proof of purchase of both the vehicle and AEM intake system is required for redemption of a warranty claim.

This warranty is limited to the repair or replacement of the AEM part. In no event shall this warranty exceed the original purchase price of the AEM part nor shall AEM be responsible for special, incidental or consequential damages or cost incurred due to the failure of this product. Warranty claims to AEM must be transportation prepaid and accompanied with dated proof of purchase. This warranty applies only to the original purchaser of product and is nontransferable. Improper use or installation, use for racing, accident, abuse, unauthorized repairs or alterations voids this warranty. AEM disclaims any liability for consequential damages due to breach of any written or implied warranty on all products manufactured by AEM. Warranty returns will only be accepted by AEM when accompanied by a valid Return Merchandise Authorization (RMA) number. Credit for defective products will be issued pending inspection. Product must be received by AEM within 30 days of the date RMA is issued.

If you have a warranty issue, please call (800) 992-3000 and our customer service department will assist you. A proof of purchase is required for all AEM warranty claims.

Some intake systems are not legal for sale or use on any pollution controlled motor vehicle in California or states adopting CA emission procedures. See [AEMIntakes.com](http://AEMIntakes.com) for CARB status on each part for a specific vehicle.