



Equipped with AEM® Dryflow™ Filter
No Oil Required!

INSTALLATION INSTRUCTIONS

PART NUMBER: 21-8303

2002-2003 JEEP Liberty V6-3.7L

C.A.R.B. E.O. # D-670

* **NOTE: Legal in California only for racing vehicles which may never be used upon a highway**

PARTS LIST

Description	Qty.	Part Number
Air Filter Assy. 3.00 X 9" Dry Ele.	1	21-2039DK
Heat Shield	1	20-8303
Inlet Pipe	1	2-83031
Hose, Adapter 3.00/3.25x3" Blk.	1	5-320
Hose; 5/8"ID X 18"L	1	5-7018
Spacer, 1.00 OD X .250 ID X .6	1	2-647
Stand, Aluminum	1	2-670
Edge Trim, 9"	1	8-4009
Mount, Rubber 1" X 8mm	1	1228560
Bolt, Hex 1/4-20 X 1 3/4	1	1-2072
Bolt, Hex M6 X 1.0 X 16mm	1	1-2030
Washer, 1/4 SAE Flat	1	1-3028
Washer, 8mm Soft Mount	2	559960
Washer, M6 X 12mm OD Zinc	1	1-3018
Washer, 6mm Soft Mount	2	559999
Nut, 1/4-20	1	1-2073
Nut, 1/4-20 Nylock	1	1-2074
Nut, M6 Hex Serrated	1	444.460.04
Nut, M8 Hex Serrated	2	444.460.08
1/2" Bnd. Hose Clamp, 2.90"-3.75"	2	9452
1/2" Bnd. Hose Clamp, 2.56"-3.50"	1	9448
Hose Clamp, 1"	2	99024.032

Read and understand these instructions **BEFORE** attempting to install this product. Failure to follow installation instructions and not using the provided hardware may damage the intake tube, throttle body and engine.

1. Preparing Vehicle

- a. Make sure vehicle is parked on level surface.
- b. Set parking brake.
- c. If engine has run in the past two hours, let it cool down.
- d. Disconnect negative battery terminal.
- e. Do not discard stock components after removal of the factory system.

2. Removal of stock system



a. Loosen hose clamps.



b. The air box is held in place by 3 rubber mounts on the base of the box. Gently pull out stock air box.



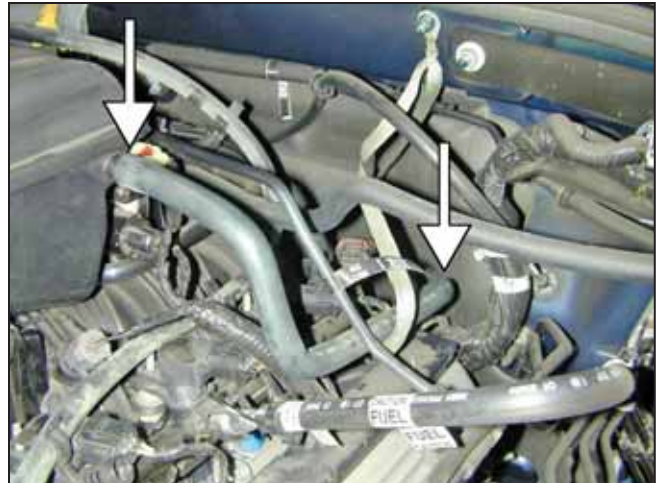
c. Loosen bottom left bolt.



d. Loosen bottom right bolt.



e. Loosen hose clamp.



f. Remove the breather hose from the vehicle.



g. Detach the breather hose. Remove the remaining intake system tract.



h. Stock air box system removed.

3. Installation of AEM® intake system.

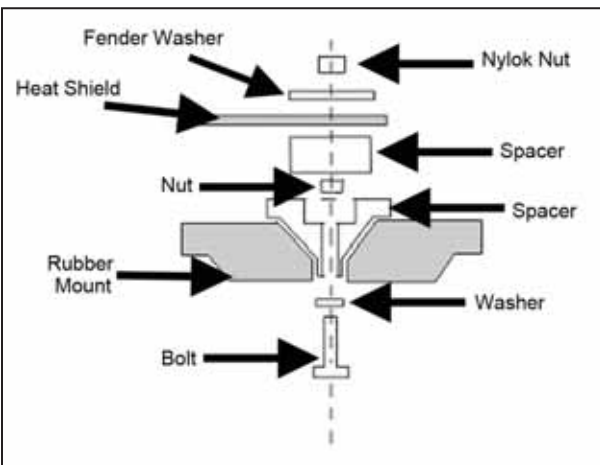
a. When installing the intake system, do not completely tighten the hose clamps or mounting hardware until instructed to do so.



b. Attach the provided coupler and hose clamps to the throttle body.



c. Mount the spacer assembly in the lower rubber mount that became exposed during the air box removal. The spacer assembly consists of 1 bolt, 2 washers, 2 spacers and 3 nuts. Refer to diagram below for proper installation.



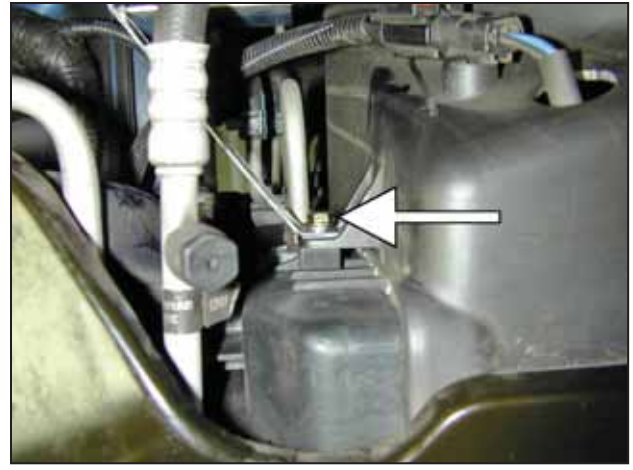
Proper installation of the spacer assembly.



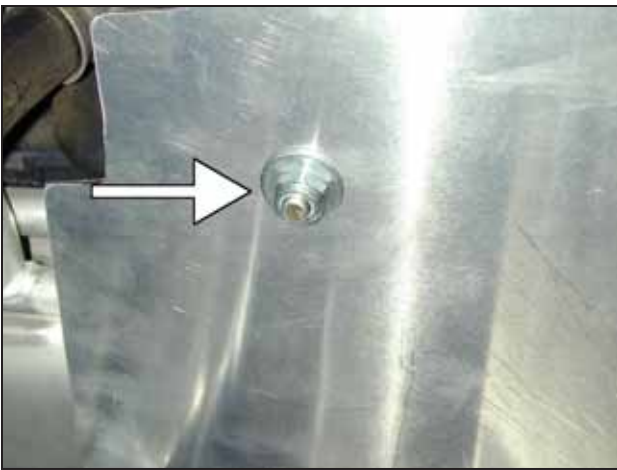
d. Insert heat shield. Secure bottom tabs with provided washers and nylok nuts.



e. Attach provided rubber foam to the top of the heat shield.



f. Secure the heat shield on the fan shroud support with the provided bolt and washer.



g. Attach the rubber mount to the engine bay side of the heat shield. Secure the opposite side with provided washer and lock nut.



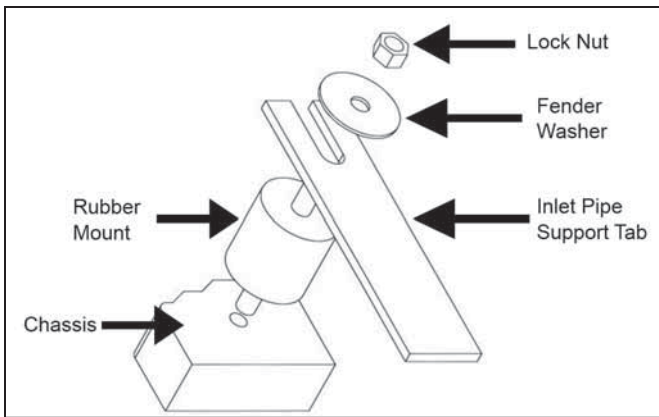
h. Attach the air filter element.



i. Insert the intake pipe and secure with the hose clamps.



j. Secure the intake bracket to the rubber mount on the heat shield with the provided washer and lock nut. Refer to the diagram on the next page.



Proper installation of the rubber mount assembly.



k. Attach the breather hose and secure with hose clamp.



l. Secure other end of the breather hose with provided hose clamp.



m. Reattach the breather hose to the nipple as shown.

4. Reassemble Vehicle

- a. Position the inlet pipes for the best fitment. Be sure that the pipes or any other components do not contact any part of the vehicle. Tighten the rubber mount, all bolts, and hose clamps.
- b. Check for proper hood clearance. Re-adjust pipes if necessary and re-tighten them.
- c. Inspect the engine bay for any loose tools and check that all fasteners that were moved or removed are properly tightened.
- d. Reconnect negative battery terminals and start engine. Let the vehicle idle for 3 minutes. Perform a final inspection before driving the vehicle.

5. CARB Sticker Placement

- a. The C.A.R.B. exemption sticker, (attached), must be visible under the hood so that an emissions inspector can see it when the vehicle is required to be tested for emissions. California requires testing every two years, other states may vary.

6. Service and Maintenance

- a. It is recommended that you service your AEM® Dryflow™ filter every 20,000 miles for optimum performance. Use AEM Dryflow cleaning kit part # 21-110.
- b. Use aluminum polish to clean your polished AEM® intake tube.
- c. Use window cleaner to clean your powder coated AEM® intake tube. **(NOTE: DO NOT USE aluminum polish on powder coated AEM intake tubes).**

For technical inquiries
e-mail us at
sales@aemintakes.com
or
call us at
800.992.3000

AEM Air Intake System Warranty Policy

AEM® warrants that its intake systems will last for the life of your vehicle. AEM will not honor this warranty due to mechanical damage (i.e. improper installation or fitment), damage from misuse, accidents or flying debris. AEM will not warrant its powder coating if the finish has been cleaned with a hydrocarbon-based solvent. The powder coating should only be cleaned with a mild soap and water solution. Proof of purchase of both the vehicle and AEM intake system is required for redemption of a warranty claim.

This warranty is limited to the repair or replacement of the AEM part. In no event shall this warranty exceed the original purchase price of the AEM part nor shall AEM be responsible for special, incidental or consequential damages or cost incurred due to the failure of this product. Warranty claims to AEM must be transportation prepaid and accompanied with dated proof of purchase. This warranty applies only to the original purchaser of product and is nontransferable. Improper use or installation, use for racing, accident, abuse, unauthorized repairs or alterations voids this warranty. AEM disclaims any liability for consequential damages due to breach of any written or implied warranty on all products manufactured by AEM. Warranty returns will only be accepted by AEM when accompanied by a valid Return Merchandise Authorization (RMA) number. Credit for defective products will be issued pending inspection. Product must be received by AEM within 30 days of the date RMA is issued.

If you have a warranty issue, please call (800) 992-3000 and our customer service department will assist you. A proof of purchase is required for all AEM warranty claims.