



## INTAKE SYSTEM

# INSTALLATION INSTRUCTIONS

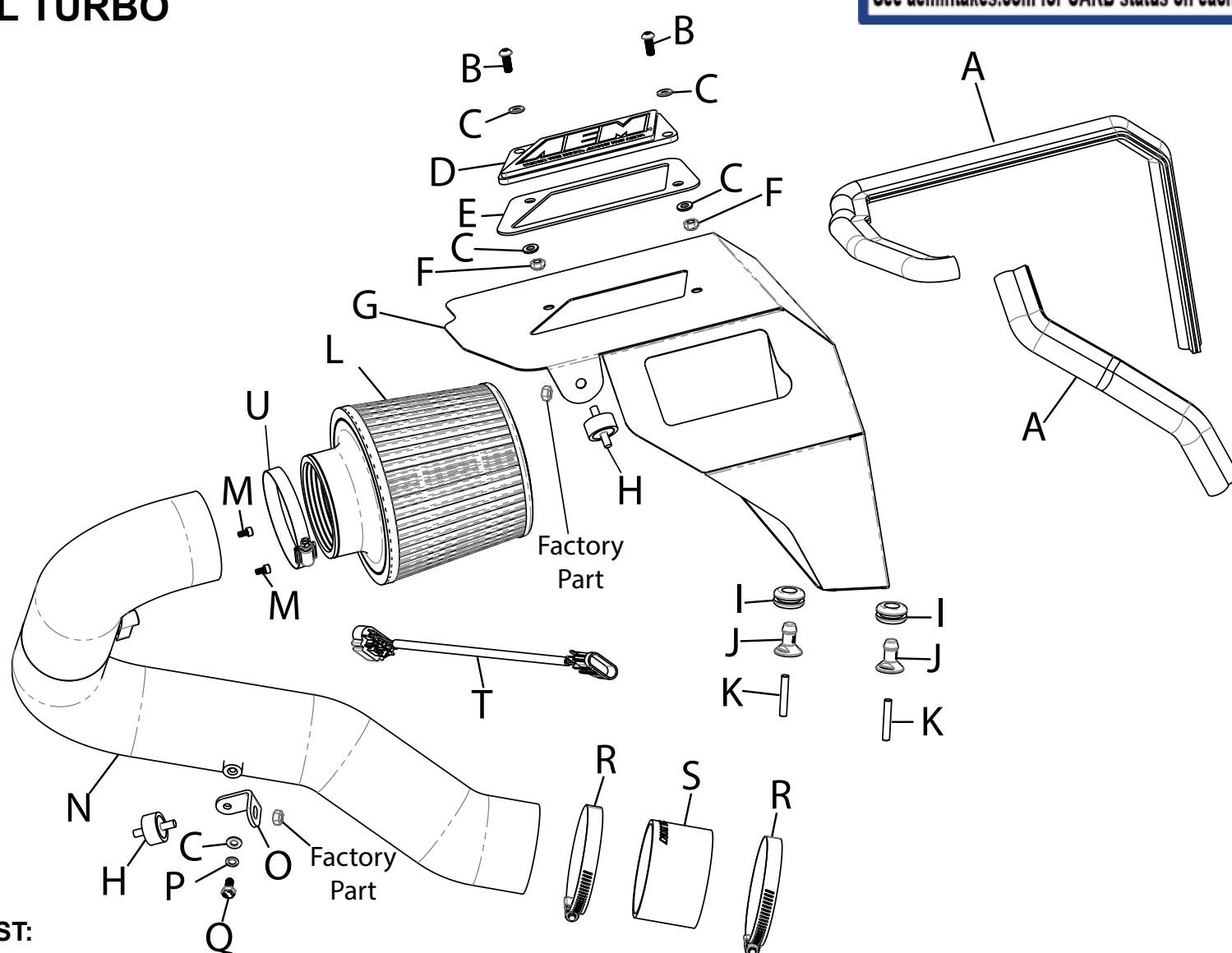
**21-891C  
SUBARU  
2022 WRX  
H4-2.4L TURBO**

**NOT LEGAL FOR SALE OR USE ON ANY POLLUTION CONTROLLED MOTOR VEHICLE IN CALIFORNIA OR STATES ADOPTING CALIFORNIA EMISSION PROCEDURES.**

See [aemintakes.com](http://aemintakes.com) for CARB status on each part for a specific vehicle

### TOOLS NEEDED:

Flat blade screwdriver  
Phillips screwdriver  
3mm allen key  
4mm allen key  
10mm wrench  
10mm socket  
ratchet  
Extension



### PARTS LIST:

Description	Qty.	Part #	Description	Qty.	Part #	Description	Qty.	Part #			
A	EDGE TRIM; 39"L	1	102496A	H	STUD; M6-1.00 RUBBER	2	07027	O	BRACKET; "L" SML.	1	070066A
B	BOLT; M6 X 1 X 16MM BTNHD	2	07730	I	GROMMET; 1"OD, 1/2"ID	2	08064	P	WASHER; M6 SPLIT LOCK	1	1-3025
C	WASHER; 6MM FLAT	5	08269	J	MOUNT; PLASTIC AIRBOX	2	8-186-1	Q	BOLT; M6-1 X 16MM HEX	1	07812
D	PLATE; AEM LOGO, CLEAR	1	8-211-1	K	STUD; 6MM-1.00 X 35MM	2	08220	R	HOSE CLAMP; #48	2	08601
E	SPACER; BADGE	1	7-364	L	AIR FILTER	1	21-203DK	S	HOSE; 3"ID X 2" BLK	1	5-302
F	NUT; 6MM NYLOCK HEXHD	2	07512	M	BOLT; M4-.7 X 8MM ALLENHD	2	07733	T	EXTENSION HARNESS	1	21784
G	HEAT SHIELD	1	074566	N	TUBE; 3"OD X 32"L (AL)	1	25902C	U	HOSE CLAMP; 2.90"-3.75"	1	9452

**If you need any assistance please call 1-800-858-3333 to speak with a representative in our Customer Service Center before returning the product.**

**Read and understand these instructions BEFORE attempting to install this product. Failure to follow installation instructions and not using the provided hardware may damage the intake tube, throttle body and engine.**

### TO START:

1. Turn off the ignition and disconnect the negative battery cable.

**NOTE: Disconnecting the negative battery cable erases pre-programmed electronic memories. Write down all memory settings before disconnecting the negative battery cable. Some radios will require an anti-theft code to be entered after the battery is reconnected. The anti-theft code is typically supplied with your owner's manual. In the event your vehicles anti-theft code cannot be recovered, contact an authorized dealership to obtain your vehicles anti-theft code.**



2. Release the centers of the retaining pins that secure the fresh air duct to the core support, remove the pins and then remove the fresh air duct from the vehicle and set aside to be reinstalled later.



3. Loosen the hose clamp that secures the factory intake tube to the air filter housing. Disconnect the mass air sensor electrical connection.





4. Remove the nut that secures the air filter housing vibration damper to the core support.



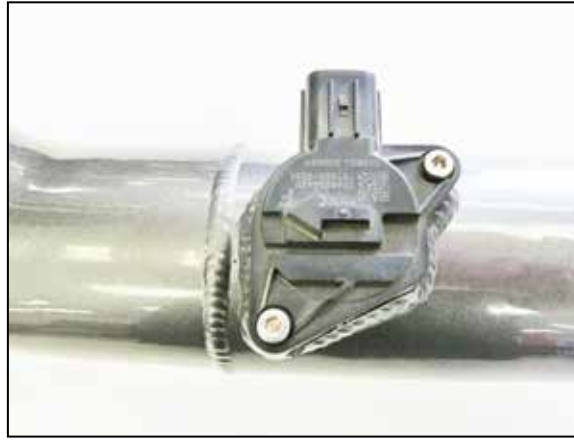
5. Remove the two bolts that secure the air filter housing to the inner fender.



6. Remove the nut that secures the lower portion of the factory intake tube to the vibration damper and then loosen the hose clamp securing the intake tube to the turbo inlet tube. Remove the factory intake tube from the vehicle.



7. Loosen the hose clamp that secures the turbo inlet tube to the turbo and then remove the tube from the vehicle.



8. Remove the MAF sensor from the factory housing and install it into the AEM intake tube using the provided hardware.



9. Install the provided "L" bracket onto the AEM intake tube using the provided hardware, do not completely tighten at this time.



10. Remove the lower factory vibration damper and replace with the damper provided. Secure with the factory nut.



11. Install the provided coupler onto the turbo inlet and secure with the provided hose clamp.



12. Position the AEM intake tube down thru the frame and into the coupler at the turbo.



13. Position the "L" bracket onto the vibration damper, align the tube for best fit and then secure the hardware and hose clamp.



14. Connect the provided MAF extension harness to the factory maf harness and to the MAF sensor.



15. Install the AEM air filter onto the intake tube and secure with the provided hose clamp.



16. Install the provided edge trim onto the heat shield as shown. Some trimming of the edge trim will be necessary.





17. Install the mounting grommets into the holes in the bottom of the heat shield.



18. Install the AEM window into the heat shield using the provided hardware.



19. Install the provided studs into the mounting posts.



20. Install the mounting posts into the frame rail where shown.



21. Install the provided vibration damper onto the heat shield using the factory nut.



22. Install heat shield assembly onto the mounting studs and vibration mounts, secure with the factory mounting nuts.



23. Reinstall the fresh air intake duct into the heat shield and secure with the factory mounting pins.



### Reassemble Vehicle

Position the inlet pipes for the best fitment. Be sure that the pipes or any other components do not contact any part of the vehicle. Tighten the rubber mount, all bolts, and hose clamps. Check for proper hood clearance. Re-adjust pipes if necessary and re-tighten them. Inspect the engine bay for any loose tools and check that all fasteners that were moved or removed are properly tightened. Reconnect negative battery terminal and start engine. Let the vehicle idle for 3 minutes. Perform a final inspection before driving the vehicle.

### Service and Maintenance

AEM Induction Systems requires cleaning the intake system's air filter element every 100,000 miles. When used in dusty or off-road environments, our filters will require cleaning more often. We recommend that you visually inspect your filter once every 25,000 miles to determine if the screen is still visible. When the screen is no longer visible some place on the filter element, it is time to clean it. To clean, purchase our Synthetic air filter cleaner, part number AEM-1-1000 and follow the easy instructions. Use window cleaner to clean your powder coated AEM® intake tube.

**NOTE: DO NOT USE aluminum polish on powder coated AEM® intake tubes.**

NOT LEGAL FOR SALE OR USE ON ANY POLLUTION CONTROLLED MOTOR VEHICLE IN CALIFORNIA OR STATES ADOPTING CALIFORNIA EMISSION PROCEDURES.

See [aemintakes.com](http://aemintakes.com) for CARB status on each part for a specific vehicle

### AEM Air Intake System Warranty Policy

AEM® warrants that its intake systems will last for the life of your vehicle. AEM will not honor this warranty due to mechanical damage (i.e. improper installation or fitment), damage from misuse, accidents or flying debris. AEM will not warrant its powder coating if the finish has been cleaned with a hydrocarbon-based solvent. The powder coating should only be cleaned with a mild soap and water solution. Proof of purchase of both the vehicle and AEM intake system is required for redemption of a warranty claim.

This warranty is limited to the repair or replacement of the AEM part. In no event shall this warranty exceed the original purchase price of the AEM part nor shall AEM be responsible for special, incidental or consequential damages or cost incurred due to the failure of this product. Warranty claims to AEM must be transportation prepaid and accompanied with dated proof of purchase. This warranty applies only to the original purchaser of product and is nontransferable. Improper use or installation, use for racing, accident, abuse, unauthorized repairs or alterations voids this warranty. AEM disclaims any liability for consequential damages due to breach of any written or implied warranty on all products manufactured by AEM. Warranty returns will only be accepted by AEM when accompanied by a valid Return Merchandise Authorization (RMA) number. Credit for defective products will be issued pending inspection. Product must be received by AEM within 30 days of the date RMA is issued.

If you have a warranty issue, please call (800) 992-3000 and our customer service department will assist you. A proof of purchase is required for all AEM warranty claims.