



Equipped with AEM® Dryflow™ Filter
No Oil Required!

INSTALLATION INSTRUCTIONS

PART NUMBER: 22-501

2001-2005 HONDA Civic L4-1.7L EX

C.A.R.B. E.O. # D-670

* **NOTE:** Legal in California only for racing vehicles which may never be used upon a highway

PARTS LIST

Description	Qty.	Part Number
Air Filter Assy. 2.75 X 5" Dry Ele.	1	21-202DK
Upper Pipe	1	2-4671
Lower Pipe	1	2-4681
Hose, Silicone 2.50x2" Black	1	5-252
Hose, Adapter 2.50/2.75 X 3"	1	5-257
Grommet, 3/8"	1	784633
Hose; 5/8"ID X 5"L	1	5-7005
Bolt, Hex M6 X 1.0 X 16mm	1	1-2030
Washer, 6mm Soft Mount	1	559999
1/2" Bnd. Hose Clamp,2.15-3.00"	3	9440
1/2" Bnd. Hose Clamp,2.31-3.25"	1	9444
Hose Clamp, 1"	2	99024.032
1/2" Bnd. Hose Clamp,2.56"-3.50"	1	9448

Read and understand these instructions **BEFORE** attempting to install this product. Failure to follow installation instructions and not using the provided hardware may damage the intake tube, throttle body and engine.

1. Preparing Vehicle

- a. Make sure vehicle is parked on level surface.
- b. Set parking brake.
- c. If engine has run in the past two hours, let it cool down.
- d. Disconnect all negative battery terminals.
- e. Do not discard stock components after removal of the factory system.

2. Removal of stock system

- a. There is one breather hose and one intake air temperature (IAT) sensor. Refer to the following diagrams for the identification of these components. **(Fig.1)**
- b. Remove the battery cables from the fuse box and remove the wire harness clamp from the intake air duct. **(Fig. 2)**
- c. Remove the intake air duct by loosening the bolt at one end and then pulling the other end up out of the mounting tab. **(Fig. 3)**
- d. Remove the two intake air duct mounting tabs from the fenderwell. **(Fig.3)**
- e. Remove the four bolts securing the intake resonator and pull the intake resonator out of the car. **(Fig. 4)**
- f. Remove the IAT sensor connector, and then remove the breather hose. Loosen the hose clamp on the throttle body. Remove the air cleaner housing by loosening the two bolts securing it. **(Fig. 5)**
- g. Remove the IAT sensor from the air cleaner housing by gently pulling straight back. Set the IAT sensor aside in a safe place.

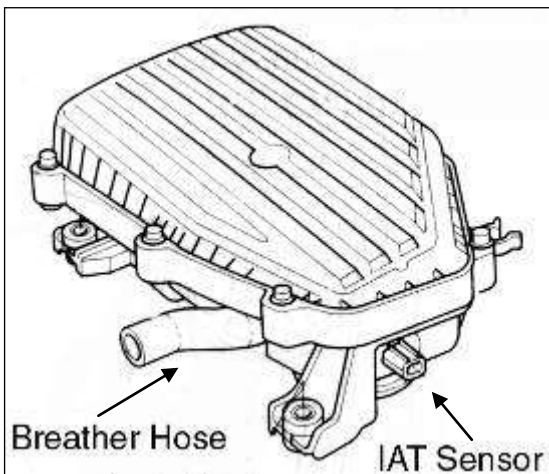


Fig. 1

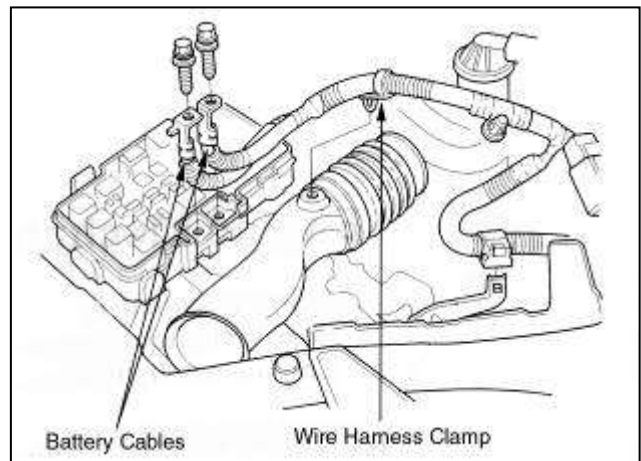


Fig. 2

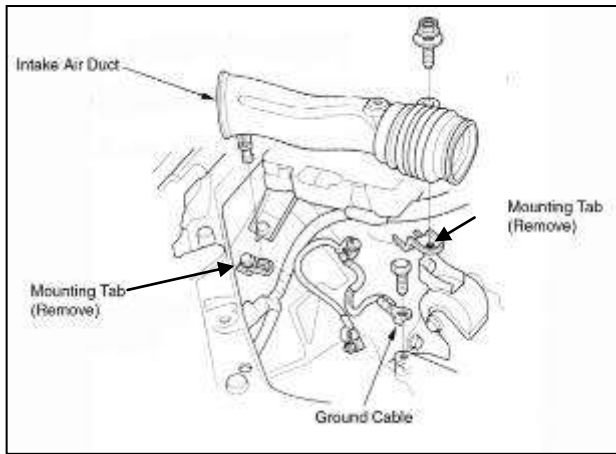


Fig. 3

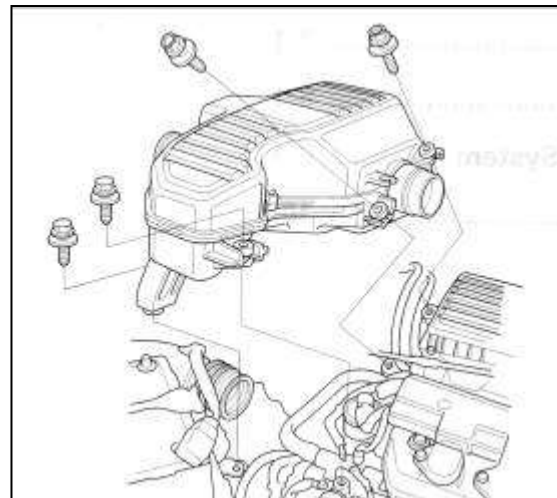


Fig. 4

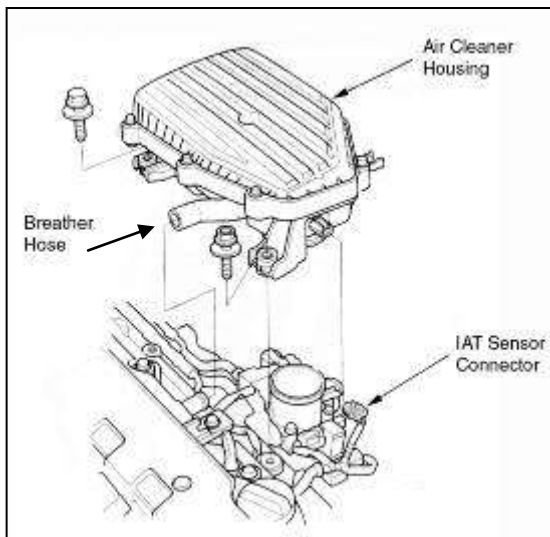


Fig. 5

3. Installation of AEM® intake system.

- a. When installing the intake system, do not completely tighten the hose clamps or mounting hardware until instructed to do so.
- b. Check to see that the inside of the AEM® inlet pipes and air filter are clean and free from any foreign objects and/or obstructions.
- c. Install the hose onto the throttle body with a hose clamp.
 - i. For Civic EX models, use the 2.50" x 2.00" hose and #40 hose clamp.
- d. Place the primary intake pipe into the hose on the throttle body with a #40 hose clamp. The throttle body end is the end with the IAT sensor hole and breather hose nipple.
- e. Thread the supplied washer and bolt through the inlet pipe mounting tab into the factory intake resonator mounting bracket. Do not tighten yet. **(Fig. 6)**
- f. Install the supplied grommet into the IAT sensor hole in the AEM® primary intake pipe. Install the IAT sensor into the grommet and plug into the IAT sensor connector. **(Fig. 7)**

NOTE: You may need to remove the wire harness clip from the mounting bracket on the intake manifold. This will allow enough movement in the wiring harness to plug in the IAT sensor.

g. Install the supplied 5/8" breather hose from the AEM® primary inlet pipe to the valve cover. Use the supplied 1" hose clamp on the AEM® intake pipe nipple and the original clamp on the valve cover nipple.

(Fig. 8)

h. Install the supplied hose onto the primary intake pipe with a hose clamp.

i. For Civic EX models, use the 2.75" to 2.50" reducer coupling with a #40 hose clamp.

i. Place the secondary intake pipe into the reducer hose using the #44 hose clamp. The shorter leg of the "J" bend goes in the coupling. The longer leg of the pipe is for the air filter. **(Fig. 9a)**

j. Install the AEM® air filter onto the end of the inlet tube. Push the filter on around 2 inches over the inlet pipe and install one hose clamp to secure the filter the inlet pipe.



Fig. 6

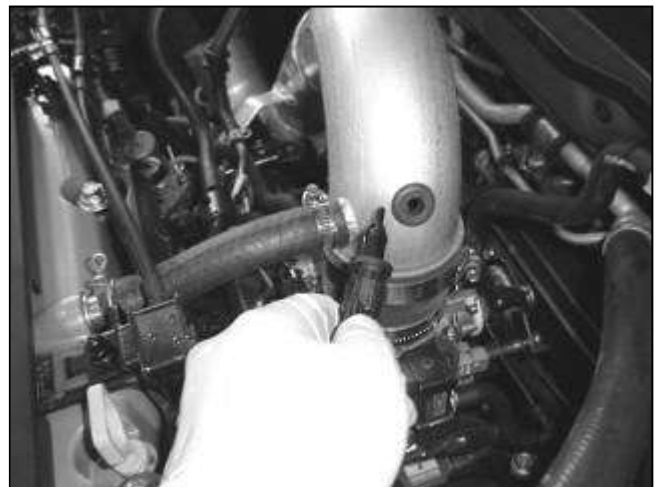


Fig. 7



Fig. 8



Fig. 9a
Intake pipe orientation for Honda Civic Ex models



AEM® intake system installed

4. Reassemble Vehicle

- a. Position the inlet pipes for the best fitment. Be sure that the pipes or any other components do not contact any part of the vehicle. Tighten the rubber mount, all bolts, and hose clamps.
- b. Check for proper hood clearance. Re-adjust pipes if necessary and re-tighten them.
- c. Inspect the engine bay for any loose tools and check that all fasteners that were moved or removed are properly tightened.
- d. Reconnect the battery cables to the fuse box. Let the vehicle idle for 3 minutes. Perform a final inspection before driving the vehicle.

5. CARB Sticker Placement

- a. The C.A.R.B. exemption sticker, (attached), must be visible under the hood so that an emissions inspector can see it when the vehicle is required to be tested for emissions. California requires testing every two years, other states may vary.

6. Service and Maintenance

- a. It is recommended that you service your AEM® Dryflow™ filter every 20,000 miles for optimum performance. Use AEM Dryflow cleaning kit part # 21-110.
- b. Use aluminum polish to clean your polished AEM intake tube.
- c. Use window cleaner to clean your powder coated AEM intake tube. **(NOTE: DO NOT USE aluminum polish on powder coated AEM intake tubes)**

For technical inquiries
e-mail us at
sales@aemintakes.com
or
call us at
800.992.3000

AEM Air Intake System Warranty Policy

AEM® warrants that its intake systems will last for the life of your vehicle. AEM will not honor this warranty due to mechanical damage (i.e. improper installation or fitment), damage from misuse, accidents or flying debris. AEM will not warrant its powder coating if the finish has been cleaned with a hydrocarbon-based solvent. The powder coating should only be cleaned with a mild soap and water solution. Proof of purchase of both the vehicle and AEM intake system is required for redemption of a warranty claim.

This warranty is limited to the repair or replacement of the AEM part. In no event shall this warranty exceed the original purchase price of the AEM part nor shall AEM be responsible for special, incidental or consequential damages or cost incurred due to the failure of this product. Warranty claims to AEM must be transportation prepaid and accompanied with dated proof of purchase. This warranty applies only to the original purchaser of product and is nontransferable. Improper use or installation, use for racing, accident, abuse, unauthorized repairs or alterations voids this warranty. AEM disclaims any liability for consequential damages due to breach of any written or implied warranty on all products manufactured by AEM. Warranty returns will only be accepted by AEM when accompanied by a valid Return Merchandise Authorization (RMA) number. Credit for defective products will be issued pending inspection. Product must be received by AEM within 30 days of the date RMA is issued.

If you have a warranty issue, please call (800) 992-3000 and our customer service department will assist you. A proof of purchase is required for all AEM warranty claims.