

2012+ TOYOTA 4RUNNER MUD FLAP INSTALLATION INSTRUCTIONS

View instructions and photos online www.rallyarmor.com

CARE AFTER INSTALLATION Once installed, the vehicle owner is responsible for the condition of the mud flaps and all costs associated with replacing damaged or lost parts. Warranty covers manufacturer defect on new, never installed parts.

⚠ Watch for blind spots when parking ⚠ Avoid contact with curbs, bumps and objects that can compress the flaps with excessive force. Be sure to check wheel clearances, especially on vehicles equipped with aftermarket wheels and suspensions.

QUESTION ON INSTALLATION? CONTACT US ONLINE www.rallyarmor.com/support

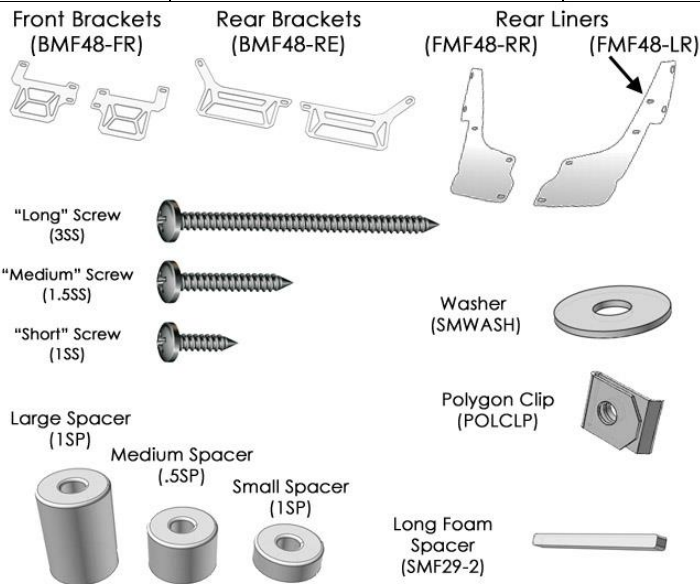
NEED TO PURCHASE REPLACEMENT PARTS? SEND RECEIPT OR PHOTO OF RALLY ARMOR LOGO ON FLAPS TO US www.rallyarmor.com/support

IMPORTANT NOTES



INSTALLATION KIT CONTENTS

Quantity	Hardware Item	Item ID
2	Front Bracket	BMF48-FR
2	Rear Bracket	BMF48-RE
19	Washer	SMWASH
9	Polygon Clip	POLCLP
1	Short Stainless Steel Screw	1SS
4	Medium Stainless Steel Screw	1.5SS
1	Long Stainless Steel Screw	3SS
2	Large Spacer	1SP
3	Medium Spacer	.5SP
1	Short Plastic Spacer	.25SP
2	Long Foam Spacer	SMF29-2
2	Fender Liner (Left/Right)	FMF48-RR/LR



Recommended Tools Low-profile, ratcheting offset or stubby Phillips screwdriver, small flathead screwdriver, panel removal tool.

Important Tips Installation should be done on an even surface. The hardware self-threads so avoid overtightening.

RALLY ARMOR - A BIT ABOUT OUR STANDARD IN MUD FLAPS

Rally Armor mud flaps are fabricated from a high grade polyurethane plastic that is rigorously reviewed for quality and consistency. As with all manufacturing processes, controlled conditions and multiple QC checkpoints minimize major irregularities, however certain very minor surface layer marks appear periodically. These are visual variations that do not affect construction nor do they impede the performance of the flaps. Most matte away as the material ages naturally with continued exposure to the outdoors. Each flap is unique in appearance yet all are equally structurally sound.

2012+ TOYOTA 4RUNNER MUD FLAP INSTALLATION INSTRUCTIONS

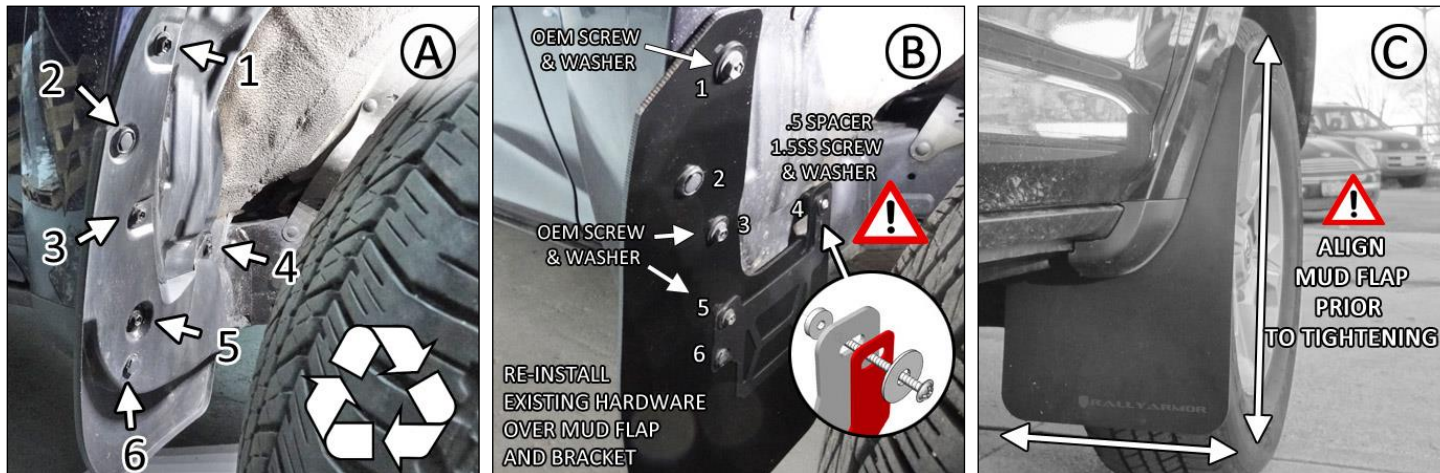
FRONT MUD FLAP BRACKET & HARDWARE for 1 front flap → 1 x BMF48-FR; 1 x 1.5SS; 1 x .5SP; 4 x SMWASH

To access the inner wheel well, turn the steering wheel towards the side you are working on.

FIGURE A Remove the front fender liner retainers as shown. Retain fasteners as they will be re-used.

FIGURE B Place the mud flap logo-side against the corresponding mounting points on the fender. Nest front bracket **BMF48-FR** against mounting points 4, 5, 6 as shown. Excluding mounting point #4, re-install existing hardware. Use the factory screw and Rally Armor supplied washer **SMWASH** for mounts 1,3,5. Mounts 2 and 6 utilize factory fasteners. Pass a Medium Screw **1.5SS** through a Washer through the bracket/flap and Medium Spacer **.5SP** into mount #4.

FIGURE C Align the outer edge of the flap by making slight angle adjustments then walking away from the vehicle to ensure the flap is even with the ground. Tighten mounting screws until just seated against the mud flap.

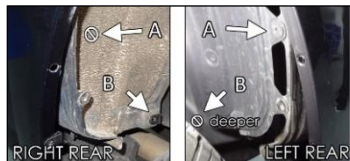


LEFT REAR MUD FLAP

LR BRACKET & HARDWARE → 1 x BMF48-RE; 1 x FMF48-LR; 1 x SMF29-2; 4 x POLCLP; 1 x 1SS; 1 x 1.5SS; 1 x 3SS; 1 x .25SP; 2 x 1SP; 6 x SMWASH

RIGHT REAR MUD FLAP

RR BRACKET & HARDWARE → 1 x BMF48-RE; 1 x FMF48-RR; 1 x SMF29-2; 5 x POLCLP; 1 x 1.5SS; 1 x .5SP; 5 x SMWASH



⚠ PLEASE NOTE ⚠

- There are slight differences between the right rear and left rear installation noted in the installation instructions.
- There is a left rear mud flap mounting point not present in the same location on the right side of the vehicle.
- There is a right rear mud flap mounting point found at a deeper location than the left side of the vehicle.
- The last pages of these installation instructions include expanded diagrams on the mounting hardware differences.

FIGURE D Remove and retain rear splash guard retainers 1-8 for re-use.

FIGURE E Remove inner factory insert #4 by compressing edges of fastener to release. Install a Polygon Clip **POLCLP** over mounting points 2,4,5 and 6.

>> **RIGHT REAR ONLY** Remove factory insert #8. Install Poly Clip over mounting point #8.

FIGURE F REFER TO FENDER LINER DIAGRAM ON PAGE 4 FIRST before continuing installation → Factory splash guards must be removed, leaving a gap in the factory liners. Rally Armor Fender Liners are left and right-side specific. They will be used to cover the voids after the OEM guards are removed.

<< **LEFT REAR has an extra mounting point AA.** The right side does not. Using supplied, side-specific Fender Liner **FMF48-LR** for the left rear, place upper sections against corresponding mounting points. Install factory screws & Washers over Liner mounts 1, 2 and 3.

<< **LEFT REAR ONLY** Install Medium Screw **1.5SS**, Washer and Small Spacer **.25SP** into mount AA.

>> **RIGHT REAR ONLY** Use **FMF48-RR** for the right rear, place upper sections against corresponding mounting points. Install factory screw & Washer over Liner mounts 1, 2 and 3.

2012+ TOYOTA 4RUNNER MUD FLAP INSTALLATION INSTRUCTIONS

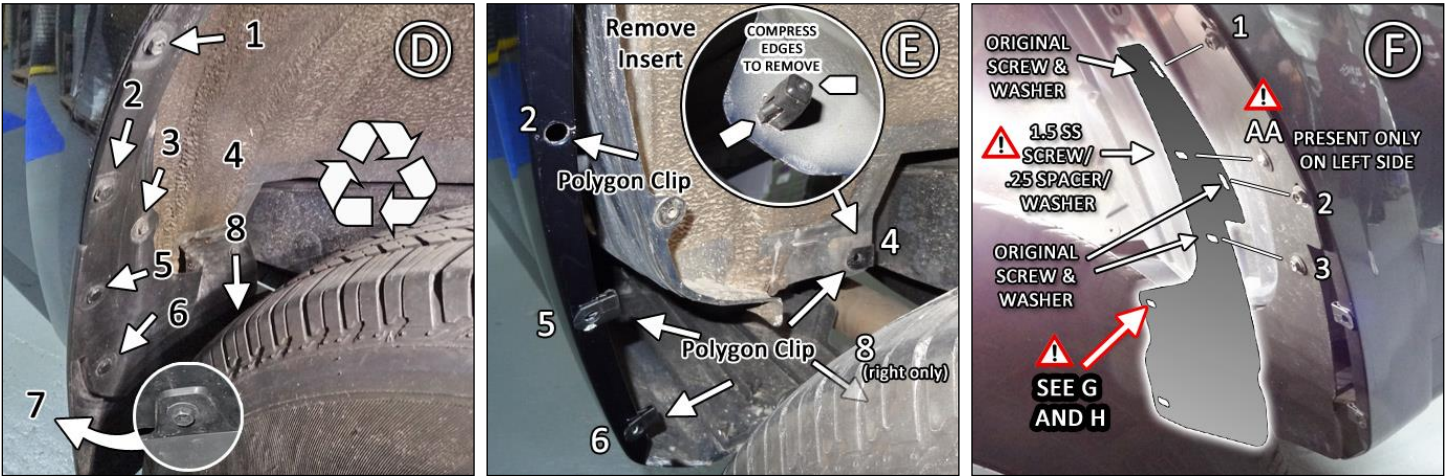
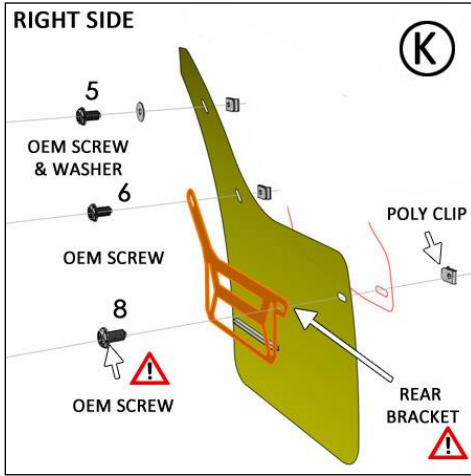
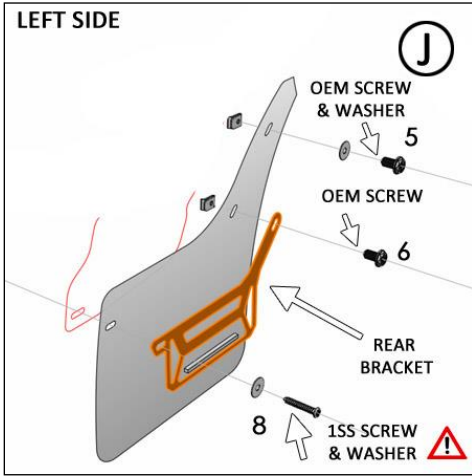


FIGURE G << LEFT REAR For mount #4 of the left rear Liner, install 2 Large Spacers **1SP**, Long Screw **3SS** & Washer then continue onto Figure I.
FIGURE H >> RIGHT REAR For mount #4 of the right rear Liner, install 1 Medium Spacer **.5SP**, Medium Screw **1.5SS** & Washer. Continue onto Figure I.
FIGURE I Peel plastic strip and place adhesive side of a Long Foam Spacer **SMF29-2** on the lower edge of the Bracket where it meets the flap.

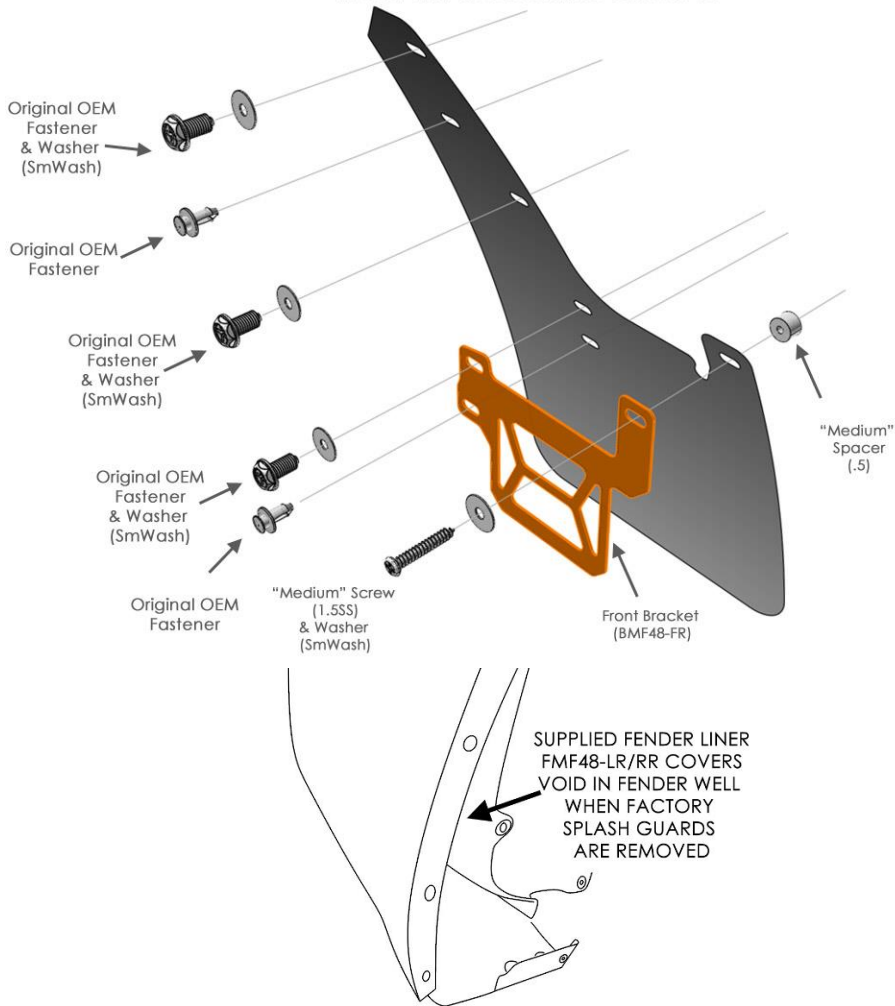


FIGURE J << LEFT REAR MUD FLAP Excluding mount #8, follow mounting process as shown in Figure J. Use a Short Screw **1SS** and Washer for #8.
FIGURE K >> RIGHT REAR MUD FLAP Note the right flap shares a single point with its right-side Fender Liner. Position the flap logo-side against the corresponding mounting points of the bumper. Line the Bracket up to mounts #6 & 8. Mounts #5, 6 and 8 utilize factory screws and supplied Washers.
FIGURE L Make slight angle adjustments. Walk away from the vehicle to check the flap is even with the ground. Tighten mounting screws until seated against the flap.

2012+ TOYOTA 4RUNNER MUD FLAP INSTALLATION INSTRUCTIONS

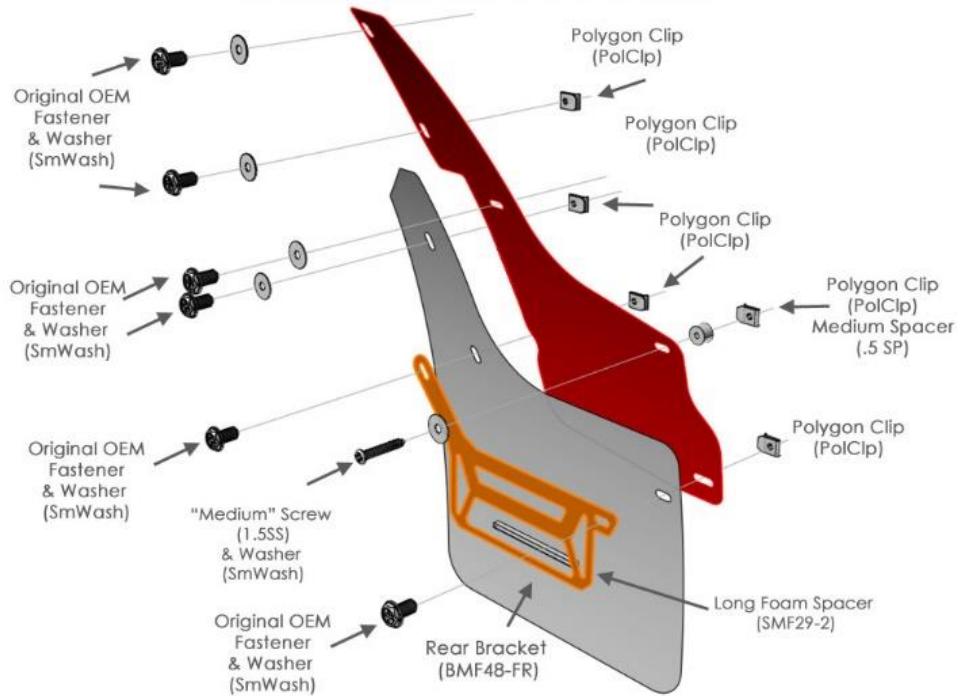


RALLYARMOR®
FRONT HMF48 MOUNTING DIAGRAM

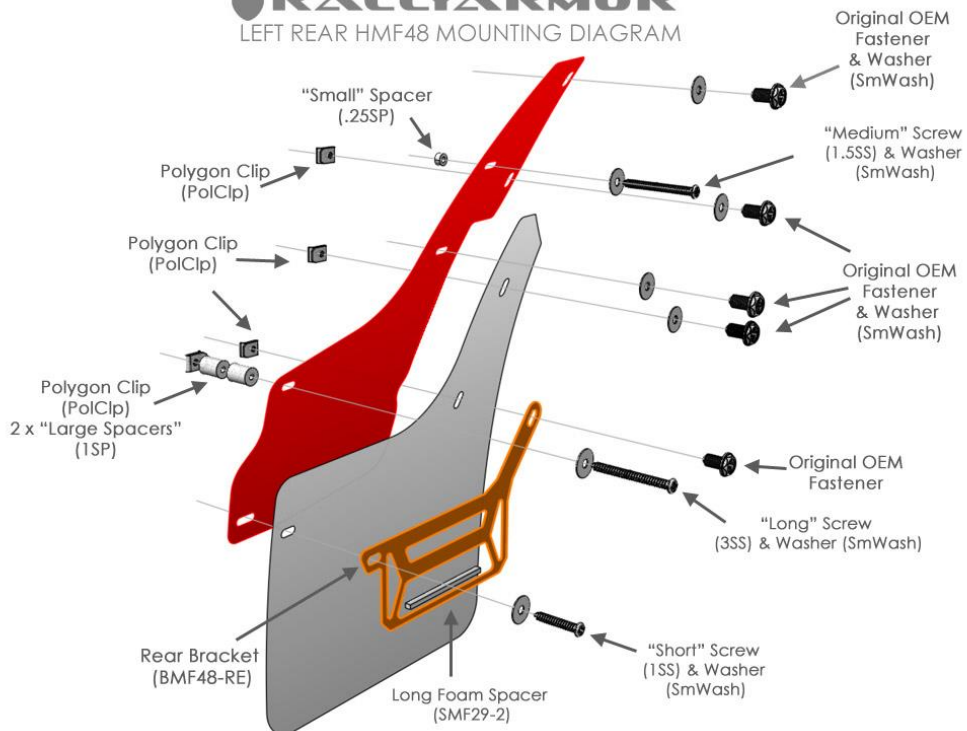


2012+ TOYOTA 4RUNNER MUD FLAP INSTALLATION INSTRUCTIONS

RALLYARMOR®
 RIGHT REAR HMF48 MOUNTING DIAGRAM



RALLYARMOR®
 LEFT REAR HMF48 MOUNTING DIAGRAM



Content and images are copyright of Rally Armor® LLC