

VOODOO13

THIRTEEN



INSTALLATION INSTRUCTIONS

VOODOO13 ECCENTRIC LOCKOUT KIT

APPLICATIONS:

07-08 INFINITI G35 SEDAN

08-13 INFINITI G37 COUPE

08-13 INFINITI G37 SEDAN

2012 INFINITI G25 SEDAN

14-15 INFINITI Q60 COUPE

09-20 NISSAN 370Z COUPE

2015 Q40 SEDAN

PART NUMBER:

LKNS-0400

Installation of all Voodoo13 components are recommended to be completed by an experienced suspension tuning professional in a qualified installation facility. With proper installation and maintenance, Voodoo13 suspension products will provide exceptional performance and durability.

For any questions, please contact Voodoo13 immediately.
Thank you for choosing Voodoo13 for your suspension component needs!

NEED HELP?

Representatives are here to help with any questions concerning this product.

CALL (480) 889-0812

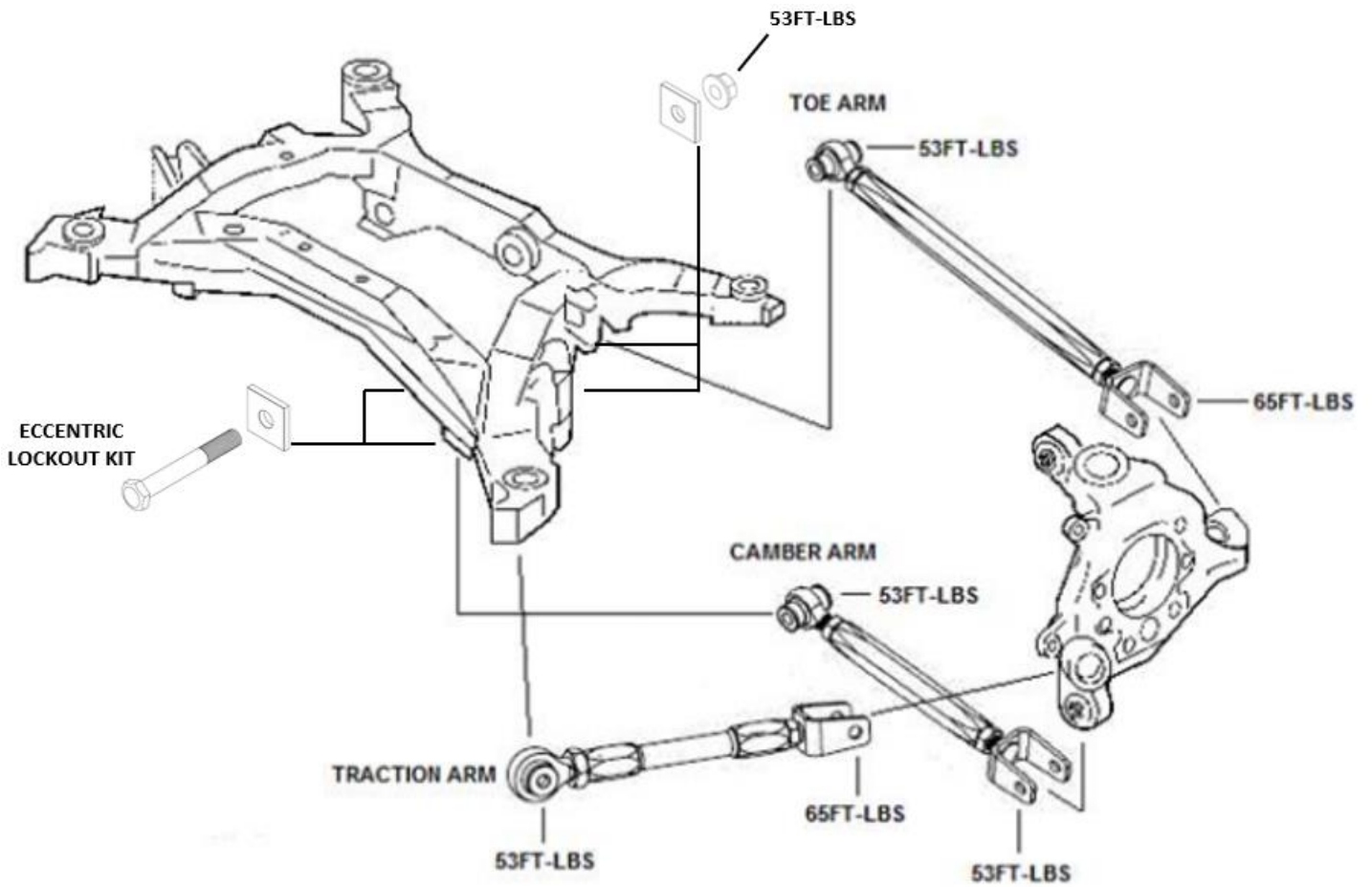
Monday-Friday 8:30AM to 5:30PM MST

RECOMMENDED TOOLS AND SUPPLIES

- General Mechanics Tool Set
- 18MM Hex Socket (Required)
- Torque Wrench
- Vehicle Jack and Safety Jack Stands (Or Vehicle Lift)
- Anti-Seize Lubricant

PART BREAKDOWN

NOTE: For all OEM hardware, please refer to the vehicle's OEM service manual for torque specifications. For all included hardware, please torque to the specifications indicated below. It is recommended to use a torque wrench instead of an impact wrench during installation. Apply anti-seize to hardware threads.



INSTALLATION PROCEDURE

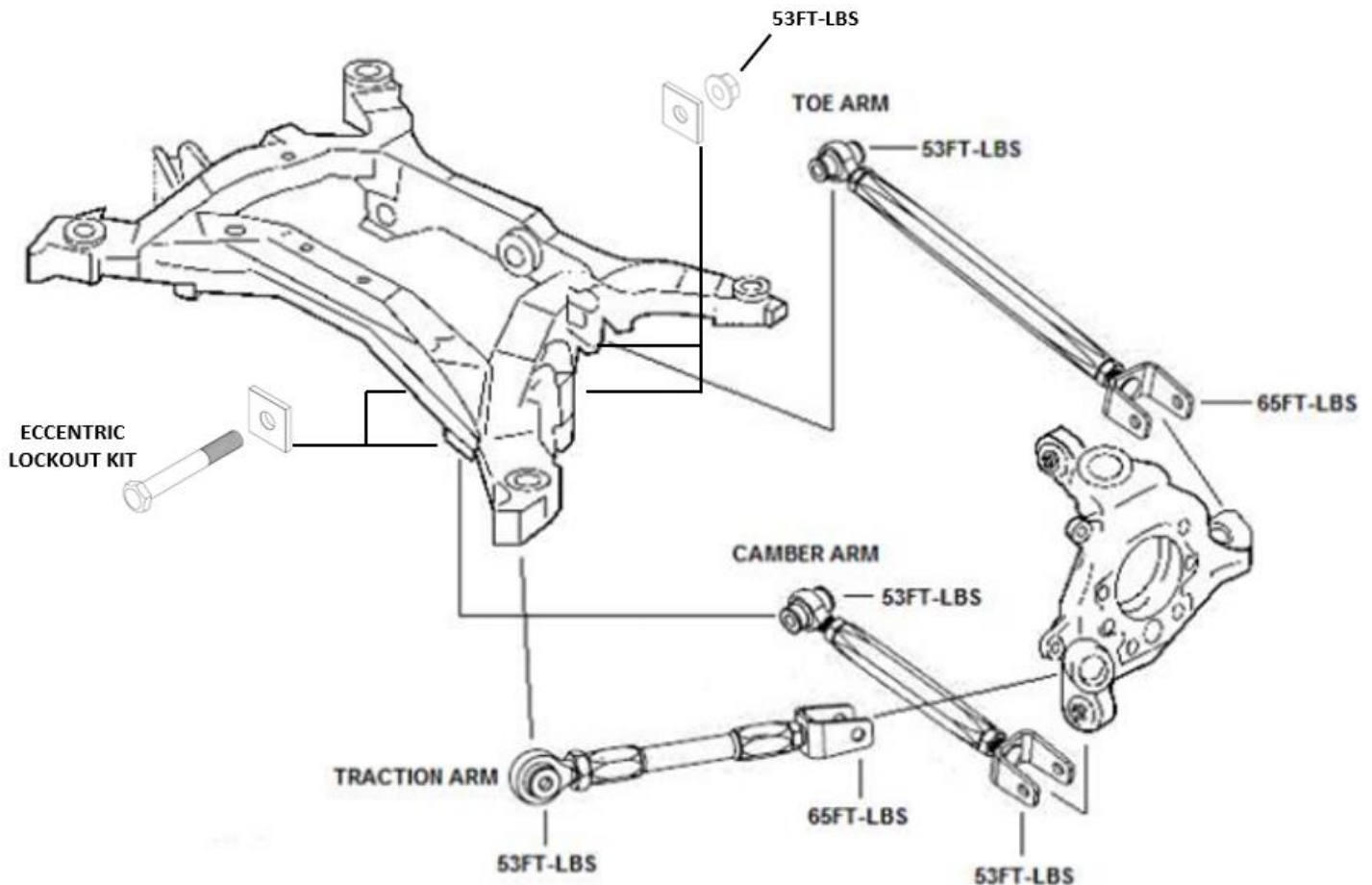
Step 1: Lift the vehicle to a safe height using the recommended factory lift points to gain access to the rear suspension. Ensure placement of safety jack stands as recommended by the manufacturer's service manual before working underneath the vehicle.

Step 2: Locate the rear adjustable camber and toe arms on the vehicle subframe and remove the inner most factory eccentric hardware one at a time; taking note of the length of the bolts.

Step 3: After matching bolt lengths, insert the supplied Voodoo13 Lockout Bolt into the Lockout Washer and install through the inner most mounting point of each arm. Installation orientation shown in exploded view is recommended for aesthetics, but orientation is up to the discretion of the installer. Apply anti-seize to all hardware threads.

Step 4: Install the Voodoo13 Flat Lockout Plate and Lock Nut onto other side of arm mount and torque to **53ft-lbs** using a torque wrench. Do this for all four mounting points on the camber arm and toe arm.

Step 5: Safely lower the vehicle and perform a vehicle alignment. Ensure all hardware is torqued to the correct specifications. Please consult a suspension tuning professional after 50 miles of continuous driving to ensure proper installation.



LIMITED LIFETIME WARRANTY

All products sold are subject to the following warranty:

Voodoo13 offers a Limited Lifetime Warranty to the original retail consumer against component defects and workmanship when used on light- truck and car applications under normal operating conditions. This warranty does not apply to parts that have been improperly installed or wearable items such as, but not limited to, worn bushings or bearings unless proven to be defective from the manufacturer.

Exterior finish on all Voodoo13 products is not considered a valid warranty; consumers are responsible for the maintenance of paint, anodization, or raw metal finish.

The consumer will be responsible for the component removal and freight costs both to and from the Distributor from which the product was originally purchased. Proof of purchase and product registration through the Voodoo13 website is mandatory in order to receive warranty replacement. The original invoice from the Distributor from which the product was purchased must accompany the product in question for warranty consideration.

Voodoo13 has the right to refuse a warranty claim if procedures are not met by the original consumer. All returns must have RMA approval from Voodoo13 prior to shipping direct to the Voodoo13 facility. Exclusions from this warranty are sales outside of the United States, the finish, dents, rust, or any condition caused by abnormal use or neglect.

WARNING

High performance automotive components intended for off-road use only.
Installation should be carried out by a qualified facility and installation professional.
Improper use or installation may result in injury or death.



VOODOO13

254 W. Broadway Rd.

Mesa, AZ 85210

Ph: 480.889.0812

Fax: 480.829.8103

www.VOODOO13USA.com