

VCC13

THIRTEEN



**LOWER CONTROL ARMS
INSTALLATION INSTRUCTIONS:
YEAR RANGE MAKE MODEL CHASSIS
96-00 HONDA CIVIC EK**

**PART NUMBER:
LOHN-0300**

We recommend that installation of all Voodoo13 parts be completed by a professional who is experienced in suspension tuning. With proper installation and maintenance, Voodoo13 suspension products will provide exceptional performance and durability. For any questions, please contact Voodoo13 immediately. We thank you for choosing Voodoo13 for your suspension tuning needs!

NEED HELP?

Our representatives are here to help you with any questions concerning the operation of this product.

CALL 480-889-0812

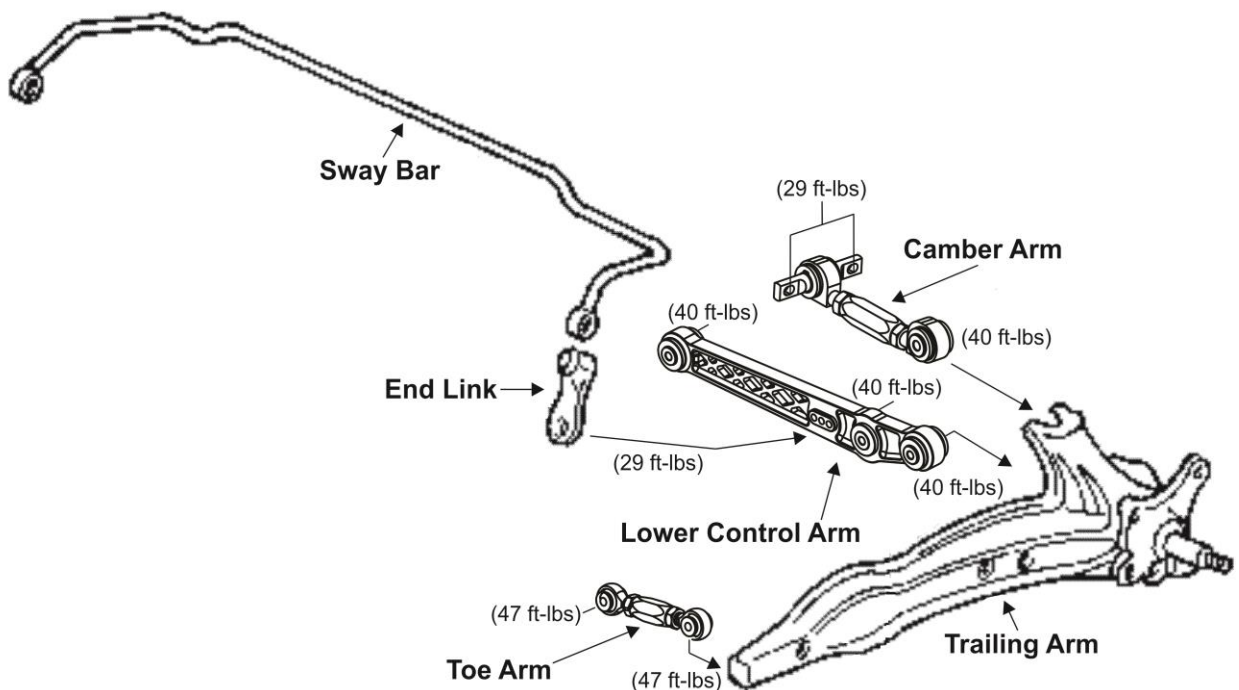
Monday thru Friday 8:30am to 5:30pm MST

RECOMMENDED TOOLS AND SUPPLIES

- General Mechanics Tool Set
- Torque Wrench

PART BREAKDOWN

NOTE: For any OE hardware please refer to OEM service manual for torque specifications. For all included hardware please torque to specifications shown below. It is recommended to use a torque wrench when tightening instead of an impact gun.



INSTALLATION PROCEDURE

Step 1: Lift the vehicle to a safe height using the recommended factory lift points to work underneath the rear suspension. Ensure to place safety jack stands where recommended by Honda before anyone goes underneath the car (unless using a vehicle lift with safety locks).

Step 2: Remove the rear wheels and support the trailing arms with floor jack.

Step 3: First locate the stock lower control arm. The 10mm bolt holding the lower arm to the trailing arm must be removed.

Step 4: Next remove the 10mm bolt holding the shock to the lower control arm.

Step 5: Finally remove the 10mm bolt located on the subframe side. Bolt up the new arm in reverse order. Each 10mm bolt needs to be torque to **40 ft-lbs** using a torque wrench.

Step 6: Repeat steps 3 to 5 for the opposite side.

Step 7: Lower vehicle safely back to the ground and perform a vehicle alignment. You are finished!

WARRANTY

All products sold are subject to the following warranty:

Voodoo13 offers a Limited Lifetime Warranty for our products to the original retail consumer against defects and workmanship when used on light truck and car applications under normal operating conditions. This warranty does not apply to parts that have been improperly installed or wearable items such as, but not limited to, worn bushings or bearings unless proven to be defective from the manufacturer.

Exterior finish on all Voodoo13 products is not considered a valid warranty; consumers are responsible for the maintenance of paint, anodize or raw metal finish.

The consumer will be responsible for the removal and freight costs both to and from the Distributor from which the product was originally purchased. Proof of purchase and product registration through the Voodoo13 website is mandatory in order to receive warrantee replacement; original invoice from the Distributor from which the product was purchased must accompany the product in question for warrantee.

Voodoo13 has the right to refuse a warrantee claim if procedures are not met by the original consumer. All returns must have an R.M.A. approval from Voodoo13 prior to shipping direct to the Voodoo13 facility. Exclusions from this warranty are sales outside of the United States, the finish, dents, rust, or any condition caused by abnormal use or neglect.

WARNING

High performance parts. For off-road use only. Installation should be carried out by a qualified facility. Improper use or installation may result in injury or death.



VOODOO13
254 W Broadway Rd
Mesa, AZ 85210
Ph: 480.889.0812
Fax: 480.829.8103
www.VOODOO13USA.com