



REAR TOE ARM

(REQUIRES TRUE REAR COILOVERS)

INSTALLATION INSTRUCTIONS:

YEAR RANGE MAKE MODEL CHASSIS

09-15 NISSAN 370Z/FAIRLADY Z Z34

07-08 INFINITI/NISSAN G35/SKYLINE SEDAN V35

07-13 INFINITI/NISSAN G37/SKYLINE V36

PART NUMBER:

TONS-0400

We recommend that installation of all Voodoo13 parts be completed by a professional who is experienced in suspension tuning. With proper installation and maintenance, Voodoo13 suspension products will provide exceptional performance and durability. For any questions, please contact Voodoo13 immediately. We thank you for choosing Voodoo13 for your suspension tuning needs!

NEED HELP?

Our representatives are here to help you with any questions concerning the operation of this product.

CALL 480-889-0812

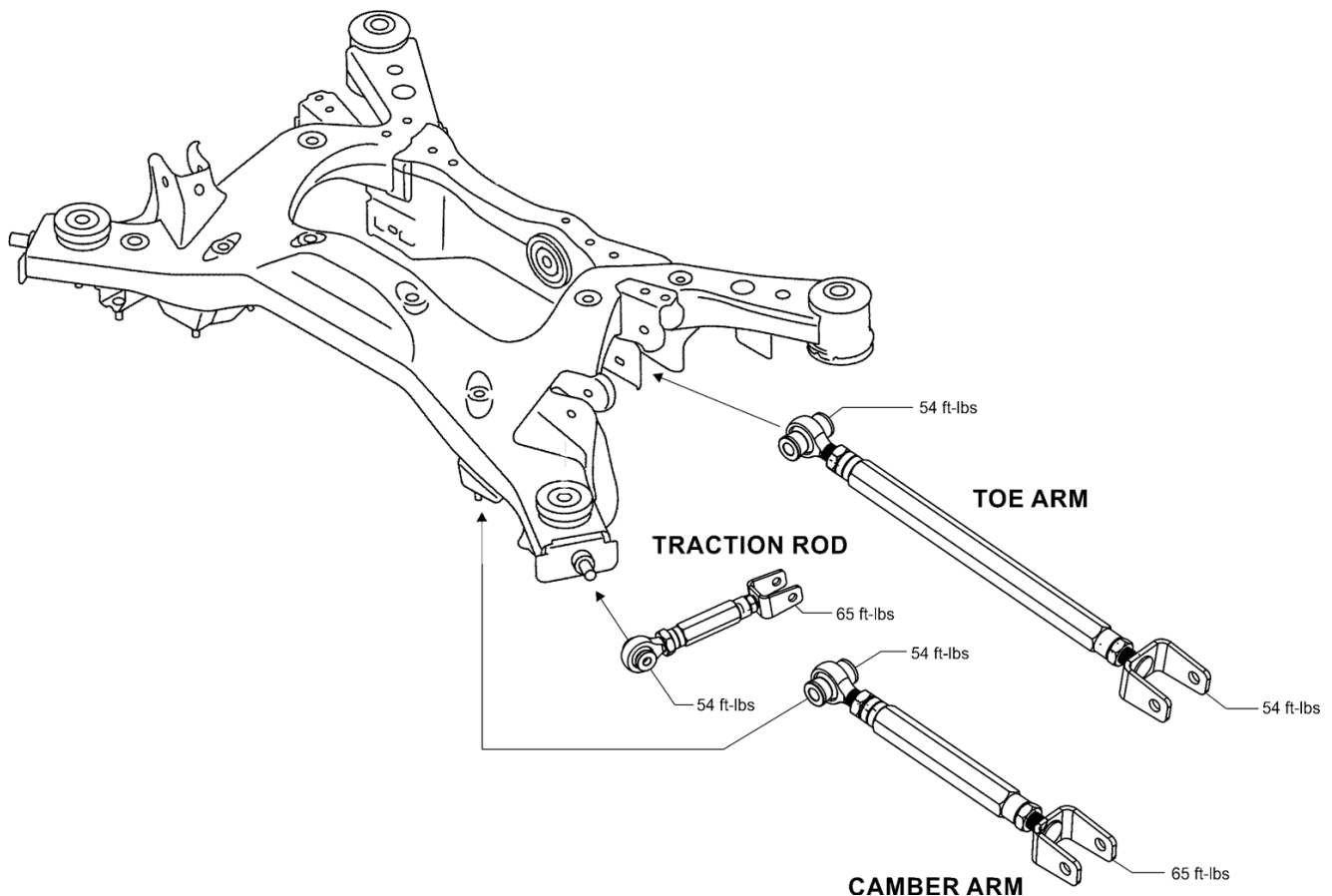
Monday thru Friday 8:30am to 5:30pm MST

RECOMMENDED TOOLS AND SUPPLIES

- General Mechanics Tool Set

PART BREAKDOWN

NOTE: For any OE hardware please refer to OEM service manual for torque specifications. For all included hardware, please torque to specifications shown below. It is recommended to use a torque wrench when tightening instead of an impact gun and apply anti-seize on all threads.



INSTALLATION PROCEDURE

Step 1: Lift the vehicle to a safe height using the recommended factory lift points to work underneath the rear suspension. Ensure to place safety jack stands where recommended by Nissan before anyone goes underneath the car (unless using a vehicle lift with safety locks).

Step 2: Remove the rear wheels to access the rear toe arm. Then place a floor jack underneath the lower arm with the coil spring. Use the jack to relieve the tension on the arm for ease of removal and to ensure a safe install.

Step 3: Next remove the 12mm bolt that holds the factory toe arm on the rear knuckle.

Step 4: Remove the remaining 12mm bolt that holds the factory toe arm on the subframe.

Step 5: Install the new adjustable arm on the subframe side and torque to **54 ft-lbs** using a torque wrench.

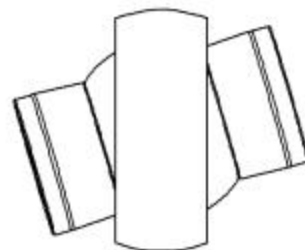
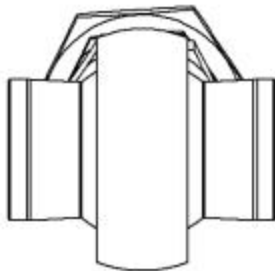
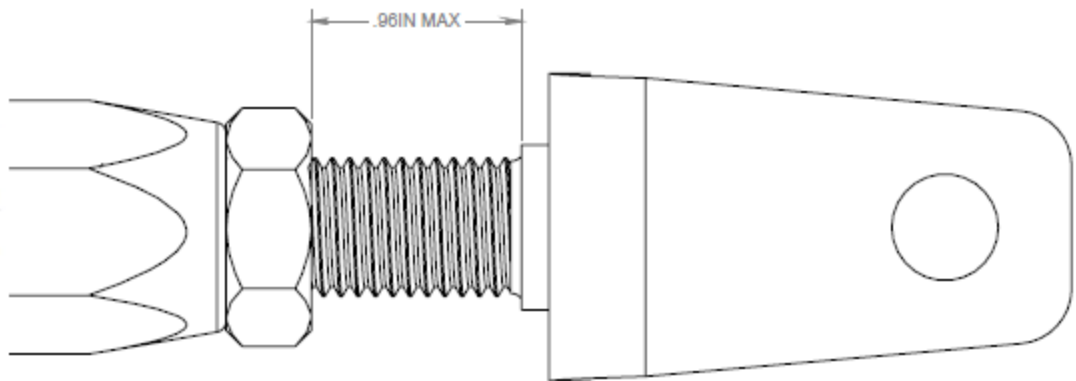
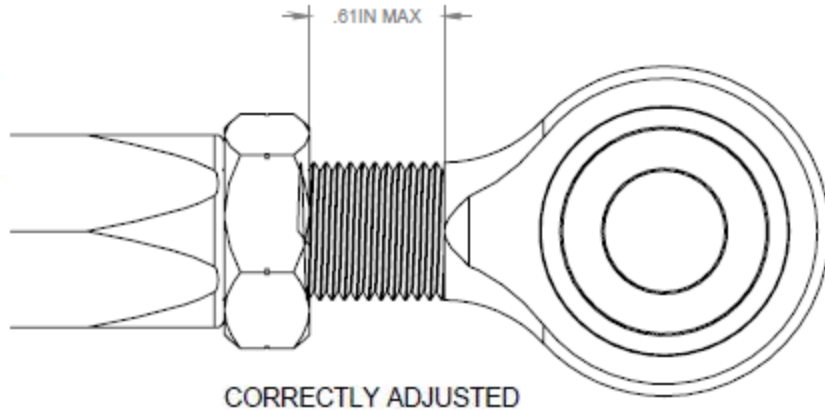
Step 6: Install the bracket end onto the knuckle and torque to **54 ft-lbs** using a torque wrench.

Step 7: Tighten the jam nuts against the hex rod to prevent alignment changes. Ensure the rod end orientation is correct to extend the life of the spherical bearing (refer to the rod end adjustment guidelines.)

Step 8: Lower vehicle safely back to the ground and perform a vehicle alignment. You are finished!

ROD END ADJUSTMENT GUIDELINES

When adjusting rod end to desired position, adjust so that the rod end and adjuster have approximately the same amount of thread showing. Always use the jam nuts to secure the rod end and adjuster. Never tighten the rod end into the adjuster or the adjuster in the lower control arm as a jamming mechanism.



CORRECTLY POSITIONED

INCORRECTLY POSITIONED
TOO MUCH STATIC ROD END MISALIGNMENT

WARRANTY

All products sold are subject to the following warranty:

Voodoo 13 offers a Limited Lifetime Warranty for our products to the original retail consumer against defects and workmanship when used on light truck and car applications under normal operating conditions. This warranty does not apply to parts that have been improperly installed or wearable items such as, but not limited to, worn bushings or bearings unless proven to be defective from the manufacturer.

Exterior finish on all Voodoo 13 products is not considered a valid warranty; consumers are responsible for the maintenance of paint, anodize or raw metal finish.

The consumer will be responsible for the removal and freight costs both to and from the Distributor from which the product was originally purchased. Proof of purchase and product registration through the Voodoo 13 website is mandatory in order to receive warrantee replacement; original invoice from the Distributor from which the product was purchased must accompany the product in question for warrantee.

Voodoo 13 has the right to refuse a warrantee claim if procedures are not met by the original consumer. All returns must have an R.M.A. approval from Voodoo 13 prior to shipping direct to the Voodoo 13 facility. Exclusions from this warranty are sales outside of the United States, the finish, dents, rust, or any condition caused by abnormal use or neglect.

WARNING

High performance parts. For off-road use only. Installation should be carried out by a qualified facility. Improper use or installation may result in injury or death.



VOODOO13
254 W Broadway Rd
Mesa, AZ 85210
Ph: 480.889.0812
Fax: 480.829.8103
www.VOODOO13USA.com