



**GT-R REAR TOE ARM  
INSTALLATION INSTRUCTIONS:**

**09-PRESENT NISSAN GT-R R35**

**PART NUMBER:  
TONS-0500**

We recommend that installation of all Voodoo13 parts be completed by a professional who is experienced in suspension tuning. With proper installation and maintenance, Voodoo13 suspension products will provide exceptional performance and durability. For any questions, please contact Voodoo13 immediately. We thank you for choosing Voodoo13 for your suspension tuning needs!

### NEED HELP?

Our representatives are here to help you with any questions concerning the operation of this product.

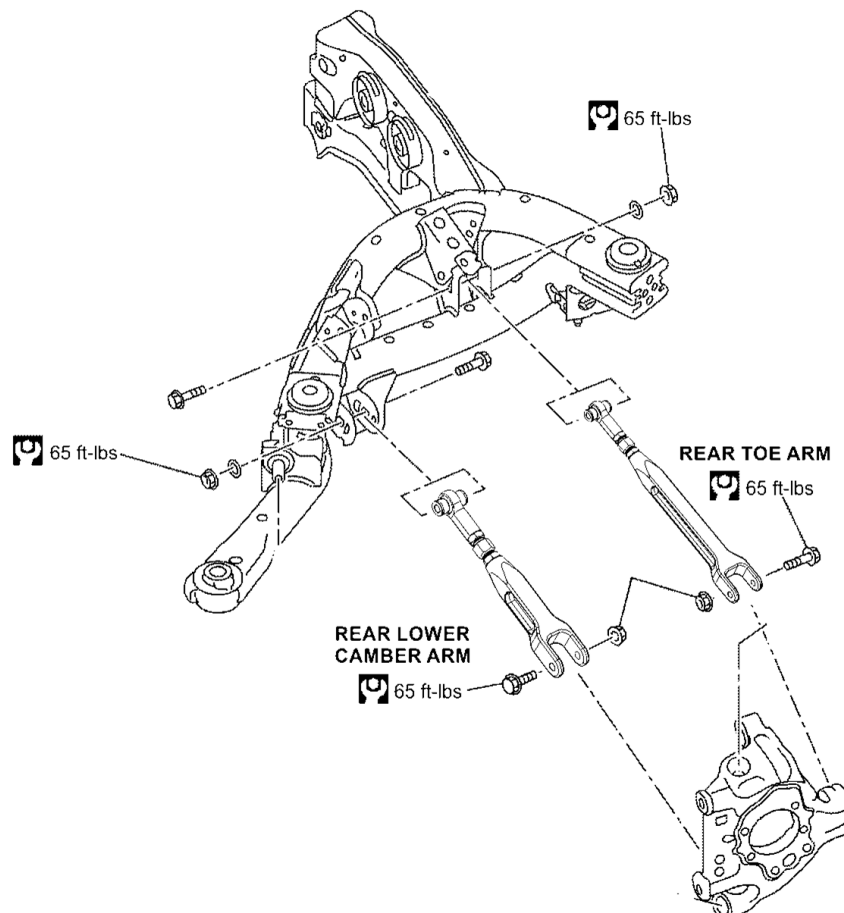
**CALL 480-889-0812**

Monday thru Friday 8:30am to 5:30pm MST

## RECOMMENDED TOOLS AND SUPPLIES

- General Mechanics Tool Set
- Jack and Jack Stands

NOTE: For any OE hardware please refer to OEM service manual for torque specifications. For all included hardware, please torque to specifications shown below. It is recommended to use a torque wrench when tightening instead of an impact gun and apply anti-seize on all threads



## INSTALLATION PROCEDURE

**Step 1:** Lift the vehicle to a safe height using the recommended factory lift points to work underneath the rear suspension. Ensure to place safety jack stands where recommended by Nissan before anyone goes underneath the car (unless using a vehicle lift with safety locks).

**Step 2:** Remove rear wheels from the vehicle to gain access to the hardware securing the rear toe arm to the vehicle.

**Step 3:** Remove the outer bolt located at the knuckle side with two 17mm wrenches.

**Step 4:** Loosen the eccentric bolt on the subframe side and spin bolt to orientate the flats on the bolt for removal. Use a 17mm wrench on the nut and a 19mm wrench for the head of the bolt.

**Step 5:** Place the both the OEM and the new arm side by side for length reference. Set the arm to the OEM length first.

**Step 6:** To begin the installation of the new arm, fit up the bracket end of the arm on to the rear knuckle first. Slide in the bolt to secure the arm, however do not torque the arm yet.

**Step 7:** Next take the spherical end of the toe arm and install it on subframe.  
**TORQUE to 65ft-lbs** using a torque wrench.

**Step 8:** Last step is to **TORQUE** the bolt holding the bracket end to **65ft-lbs** using a torque wrench.

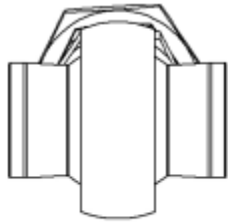
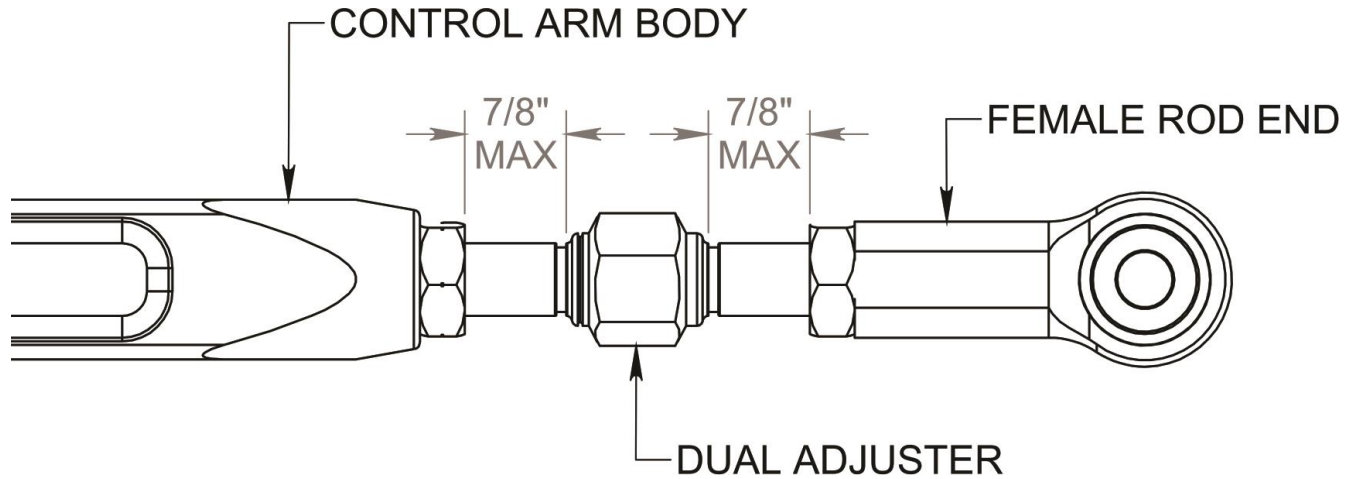
**Step 9:** Align the rod end (Refer to the next page) and tighten all jam nuts to ensure no movement in the turnbuckle adjuster or the rod ends. Make sure this is done properly after every alignment to ensure longevity of the rod ends.

**Step 10:** Reinstall the wheels and torque the lugnuts to factory specifications via factory service manual.

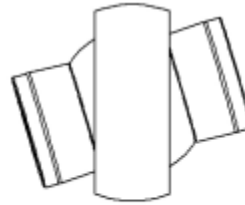
**Step 11:** Lower vehicle safely back to the ground and perform a vehicle alignment. You are finished!

## ROD END ADJUSTMENT GUIDELINES

When adjusting rod end to desired position, adjust so that the rod end and adjuster have approximately the same amount of thread showing. Always use the jam nuts to secure the rod end and adjuster. Never tighten the rod end into the adjuster or the adjuster in the lower control arm as a jamming mechanism.



CORRECTLY POSITIONED



INCORRECTLY POSITIONED  
TOO MUCH STATIC ROD END MISALIGNMENT

# WARRANTY

All products sold are subject to the following warranty:

Voodoo13 offers a Limited Lifetime Warranty for our products to the original retail consumer against defects and workmanship when used on light truck and car applications under normal operating conditions. This warranty does not apply to parts that have been improperly installed or wearable items such as, but not limited to, worn bushings or bearings unless proven to be defective from the manufacturer.

Exterior finish on all Voodoo13 products is not considered a valid warranty; consumers are responsible for the maintenance of paint, anodize or raw metal finish.

The consumer will be responsible for the removal and freight costs both to and from the Distributor from which the product was originally purchased. Proof of purchase and product registration through the Voodoo13 website is mandatory in order to receive warrantee replacement; original invoice from the Distributor from which the product was purchased must accompany the product in question for warrantee.

Voodoo13 has the right to refuse a warrantee claim if procedures are not met by the original consumer. All returns must have an R.M.A. approval from Voodoo13 prior to shipping direct to the Voodoo13 facility. Exclusions from this warranty are sales outside of the United States, the finish, dents, rust, or any condition caused by abnormal use or neglect.

## WARNING

High performance parts. For off-road use only. Installation should be carried out by a qualified facility. Improper use or installation may result in injury or death.



**VOODOO13**  
254 W Broadway Rd,  
Mesa, AZ 85210  
Ph: 480.889.0812  
Fax: 480.829.8103  
[www.VOODOO13USA.com](http://www.VOODOO13USA.com)