

SlamAIR

by AIR LIFT®

Kit 59209

***Chevrolet Silverado/
GMC Sierra,
GMT 800 & GMT 900***



INSTALLATION GUIDE

For maximum effectiveness and safety, please read these instructions completely before proceeding with installation.

Failure to read these instructions can result in an incorrect installation.

TABLE OF CONTENTS

Introduction	2
Important Safety Notice	2
Notation Explanation	2
Installation Diagram	3
Hardware List	5
Tools List	5
Installing the SlamAir System	5
Important Installation Information	5
Getting Started	6
Raising the Vehicle	6
Deciding Where to Mount	6
Assembling the Installation Tool	7
Installing the L-Brackets	7
Attaching the Lower Bracket	8
Positioning the Upper Bracket	8
Attaching the Upper Bracket	8
Mounting the Air Spring	10
Installing the Air Lines	10
Aligning the Air Spring	12
Checking for Leaks	12
Fixing Leaks	12
Before Operating	13
Installation Checklist	13
Post-Installation Checklist	13
Maintenance and Servicing	14
Minimum and Maximum Pressure	14
Maintenance Guidelines	14
Troubleshooting Guide	14
Product Use	15
Frequently Asked Questions	15
Tuning the Air Pressure	15
Guidelines for Adding Air	16
Replacement and Contact Information	16
Warranty and Returns Policy	17

Introduction

The purpose of this publication is to assist with the installation, maintenance and troubleshooting of the SlamAir air spring kit.

It is important to read and understand the entire installation guide before beginning installation or performing any maintenance, service or repair. The information here includes a hardware list, tool list, step-by-step installation information, maintenance tips, safety information and a troubleshooting guide.

Air Lift Company reserves the right to make changes and improvements to its products and publications at any time. For the latest version of this manual, contact Air Lift Company at (800) 248-0892 or visit our website at www.airliftcompany.com.

IMPORTANT SAFETY NOTICE

The installation of this kit does not alter the Gross Vehicle Weight Rating (GVWR) or payload of the vehicle. Check your vehicle's owner's manual and do not exceed the maximum load listed for your vehicle.

Gross Vehicle Weight Rating: The maximum allowable weight of the fully loaded vehicle (including passengers and cargo). This number — along with other weight limits, as well as tire, rim size and inflation pressure data — is shown on the vehicle's Safety Compliance Certification Label.

Payload: The combined, maximum allowable weight of cargo and passengers that the truck is designed to carry. Payload is GVWR minus the Base Curb Weight.

NOTATION EXPLANATION

Hazard notations appear in various locations in this publication. Information which is highlighted by one of these notations must be observed to help minimize risk of personal injury or possible improper installation which may render the vehicle unsafe. Notes are used to help emphasize areas of procedural importance and provide helpful suggestions. The following definitions explain the use of these notations as they appear throughout this guide.

 DANGER

INDICATES IMMEDIATE HAZARDS WHICH WILL RESULT IN SEVERE PERSONAL INJURY OR DEATH.

 WARNING

INDICATES HAZARDS OR UNSAFE PRACTICES WHICH COULD RESULT IN SEVERE PERSONAL INJURY OR DEATH.

 CAUTION

INDICATES HAZARDS OR UNSAFE PRACTICES WHICH COULD RESULT IN DAMAGE TO THE MACHINE OR MINOR PERSONAL INJURY.

NOTE

Indicates a procedure, practice or hint which is important to highlight.

Installation Diagram

Shackle hanger installation shown

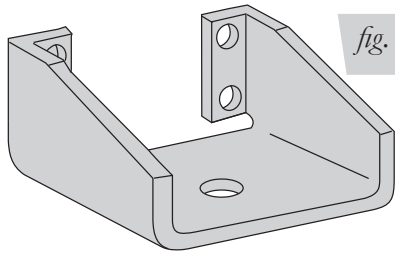
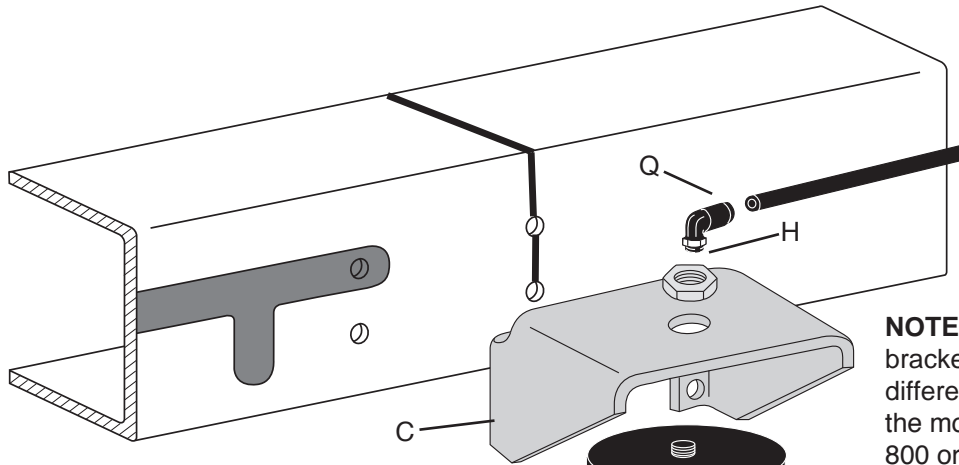


fig. 1a

In some situations, the upper bracket will need to be mounted in an inverted position as shown in fig. 1a to the right. Carefully read the instructions for proper installation.



NOTE: The upper frame/ bracket/ hardware will be different depending on the model you have (GMT 800 or GMT 900). See the instruction section, "Attaching the Upper Bracket," for further details.

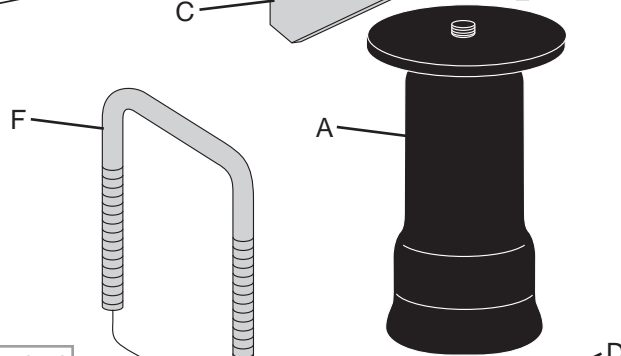
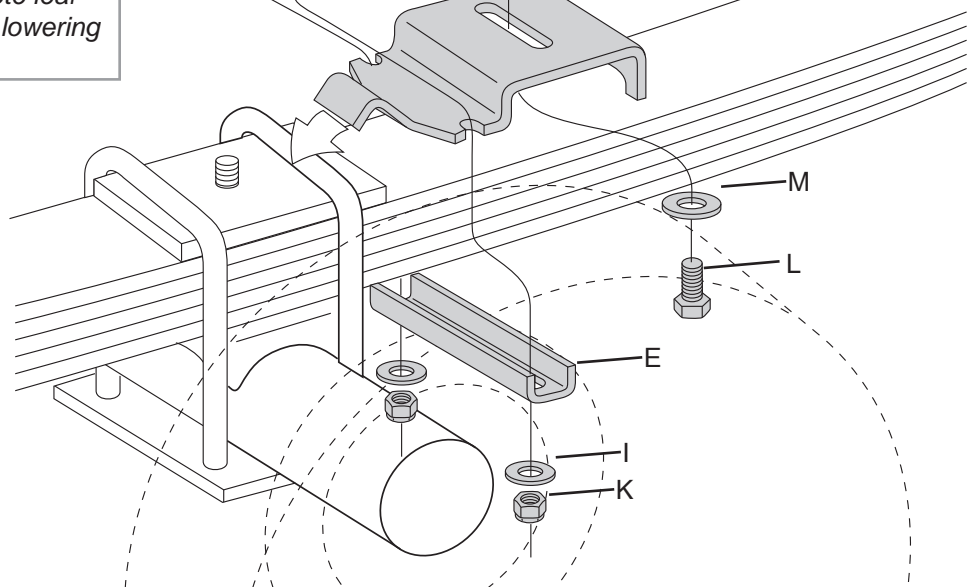


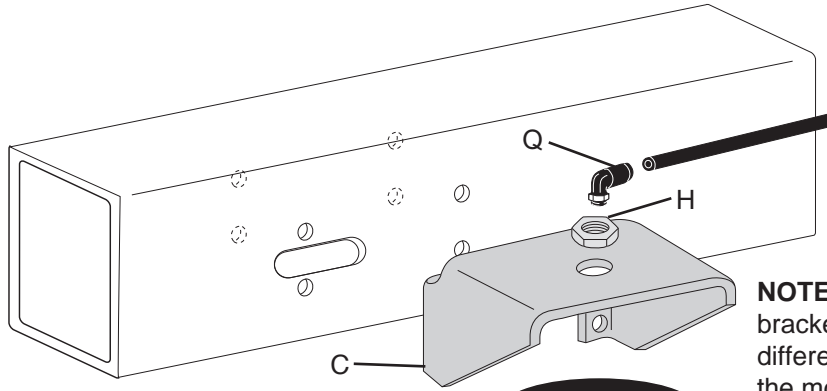
fig. 1b

This installation would be typical for a shackle or complete leaf spring replacement for lowering the truck.



Installation Diagram

Flipped axle installation shown



NOTE: The upper frame/bracket/hardware will be different depending on the model you have (GMT 800 or GMT 900). See the instruction section, "Attaching the Upper Bracket," for further details.

This installation would be typical for a flipped axle lowering application.

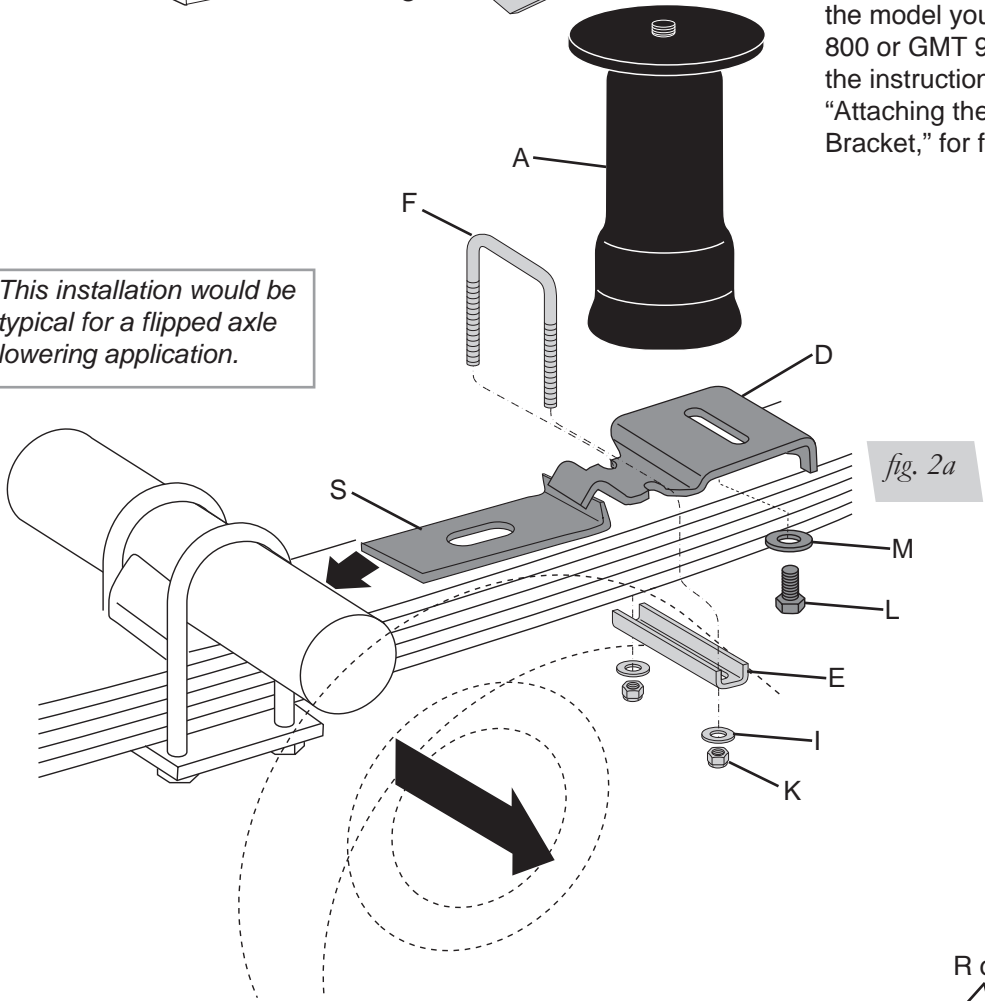


fig. 2a

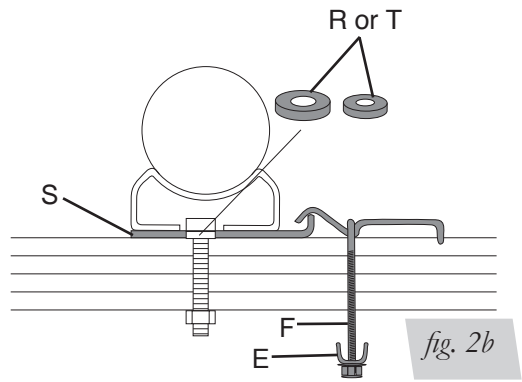


fig. 2b

NOTE: It will be necessary to use the L-bracket so that the lower bracket has something to lock to.

HARDWARE LIST

Item	Part #	Description.....Qty	Item	Part #	Description.....Qty
A	58482	Air spring..... 2	P	13240	Frame spacer..... 8
B	10549	Installation tool with nut..... 1	Q	21848	Swivel air fitting..... 2
C	07940	Upper bracket..... 2	R	18442	3/8" Spacer..... 2
D	03616	Lower bracket..... 2	S	10487	L-bracket..... 2
E	01426	Clamp bar..... 2	T	18443	7/16" Spacer..... 2
F	10583	U-bolt..... 2	U	13377	Square spacer..... 2
G	17159	Washer head frame bolt..... 4			
H	18454	3/4" Nylon nut..... 2	AA	20086	Air line..... 1
I	18444	3/8" Flat washer..... 12	BB	10466	Zip tie..... 6
J	18447	3/8" Oversized flat washer..... 8	CC	21230	Valve cap..... 2
K	18435	3/8" Nyloc nut..... 12	DD	18405	5/16" Flat washer..... 2
L	17124	1/2"-13 x 7/8 Bolt..... 2	EE	21234	Rubber washer..... 2
M	18414	1/2" Flat washer..... 2	FF	18411	Star washer..... 2
N	17145	3/8"-16 x 4 Bolt..... 8	GG	21233	5/16" Hex nut..... 4
O	17129	3/8"-16 x 1.5 Self-tapping bolt..... 4			



Missing or damaged parts? Call Air Lift customer service at (800) 248-0892 for a replacement part.

TOOLS LIST

Description..... Qty	Description..... Qty
Hoist or floor jacks..... 1	1/2", 3/4", 7/16", and 1-1/16" open-end or box wrenches..... 1
Safety stands..... 2	Heavy duty drill..... 1
Safety glasses..... 1	Hose cutter, razor blade, or sharp knife..... 1
Torque wrench..... 1	Air compressor or compressed air source..... 1
Ratchet w/ 3/8", 9/16", & 1/2" deep well sockets.. 1	Spray bottle with dish soap/water solution..... 1
3/8" and 9/16" Drill bit (very sharp)..... 1	
3/8" Nut driver..... 1	

Installing the SlamAir System

IMPORTANT INSTALLATION INFORMATION

IMPORTANT: Your vehicle may be equipped with a rear brake proportioning valve. Any type of load assist product could affect brake performance. Air Lift recommends checking with your dealer before installing this type of product. If your vehicle DOES NOT have a rear brake proportioning valve or is equipped with an anti-lock type brake system, installation of the load assist product will have NO AFFECT on brake system performance.

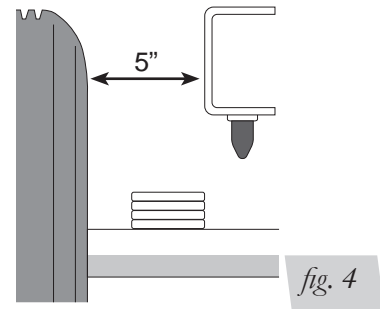
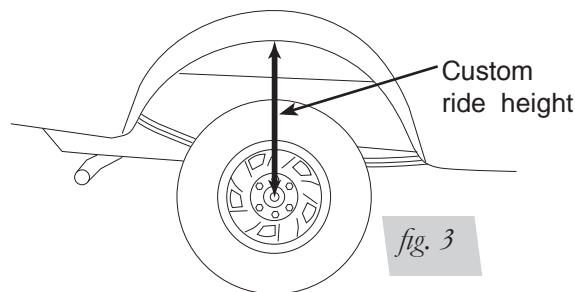


COMPRESSED AIR CAN CAUSE INJURY AND DAMAGE TO THE VEHICLE AND PARTS IF IT IS NOT HANDLED PROPERLY. FOR YOUR SAFETY, DO NOT TRY TO INFLATE THE AIR SPRINGS UNTIL THEY HAVE BEEN PROPERLY SECURED TO THE VEHICLE.

This is a universal kit for custom applications. In no way should the air spring or any of the kit's components be the suspension limiter in compression or extension. This air spring can compress to 2.4" and extend to 7.0". Regardless of load, the air pressure should be adjusted so that the custom ride height is maintained at all times. The shock absorber is usually the limiter on extension. If this is not the case, you should consider the use of limiting straps.

GETTING STARTED

1. Determine the custom ride height of the lowered vehicle. The custom ride height is the distance between the bottom edge of the wheel-well and the center of the hub when the vehicle is in the custom, lowered condition (fig. 3). In some cases, the ride height is not perfectly level.
 - a. Remove unusual loads and examine the vehicle from the side to ensure it is on a level surface.
 - b. If necessary—in cases where your leaf springs are sagging badly—use a jack to raise the rear end so that the vehicle achieves the custom, lowered ride height.
2. Measure the distance between the frame and the tire. This kit requires a minimum of 5" of clearance for a fully inflated air spring (fig. 4).



RAISING THE VEHICLE

1. Raise the vehicle and remove the wheels.
2. Ensure that the vehicle is at the custom, lowered ride height. If not, raise the frame or lower the axle as necessary.
 - a. If the vehicle is raised with an axle contact hoist, place axle stands under the frame and lower the axle as needed.
 - b. If the vehicle is raised with a frame contact hoist, place axle stands under the axle and lower the frame as needed.
 - c. If the vehicle is raised with a jack and supported with axle stands on the frame, use a floor jack to raise the axle.

DECIDING WHERE TO MOUNT

Due to the wide variety of lowering kits on the market, Air Lift cannot guarantee that this kit will fit every vehicle. You may need to modify the upper bracket, or even weld it, depending on the type of kit the vehicle was lowered with or optional equipment present.

Where you install the air spring kit will depend on the type of vehicle you have and the placement necessary to avoid brake lines, gas lines, hydraulic lines or other items that may interfere with drilling the upper bracket holes. Some situations, such as vehicles with staggered shock absorbers, may require installing the air springs in front and behind the axle on opposite sides of the vehicle. Where applicable, pay attention to specific instructions on the placement of the air spring for your model noted. The installation tool included in this kit will help check for obstacles and determine which installation is best for your vehicle.

On some models it may be necessary to invert the upper bracket in a "legs up" position to achieve the correct mounting position. Do not hang the axle on a frame contact hoist while checking this step for proper placement of the upper bracket. Vehicle suspension must be in custom ride height condition.

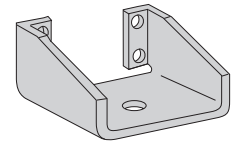
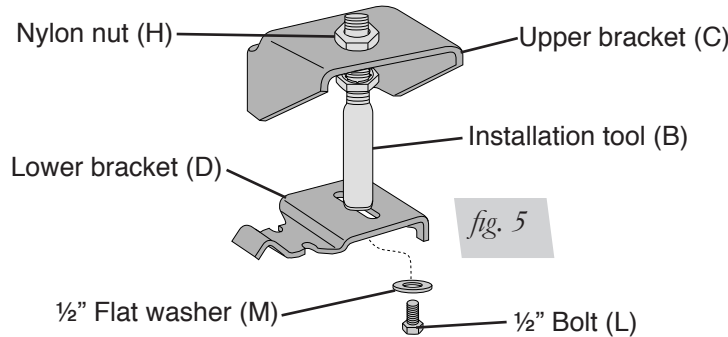
ASSEMBLING THE INSTALLATION TOOL

1. The tool provided with this kit will assist in proper setup and alignment of the air spring and will also position the upper bracket for drilling the bolt holes. The tool attaches to the upper and lower bracket and is rigid so that it will self-align the upper bracket. The threaded section of the upper part of the tool ensures that the air spring can only be mounted at the correct height.
2. Secure the upper bracket (C) to the installation tool (B) using the provided nylon nut (H) (fig. 5).

NOTE

As stated above, it may be necessary to invert the upper bracket based on the type of drop installed.

3. Loosely attach the tool to the lower bracket using a ½" flat washer (M) and a ½" bolt (L) (fig. 5). Leave loose for later adjustment.



In some situations, the upper bracket will need to be mounted in an inverted position. Carefully read the instructions for proper installation.

INSTALLING THE L-BRACKETS *(For flipped axle lowered applications)*

1. Support the frame and drop the rear axle all the way until the axle is hanging. If the shock stops the axle from hanging, remove the lower shock bolts.
2. Remove the leaf spring retaining u-bolts on one side and, with a floor jack, raise the axle to clear the leaf spring centering pin.
3. A spacer is provided to accommodate the increased thickness caused by the lower bracket. Clamp the leaf spring together with a c-clamp so the leaf center pin can be removed. Remove the centering pin and install one spacer, per pin (see fig. 6).

NOTE

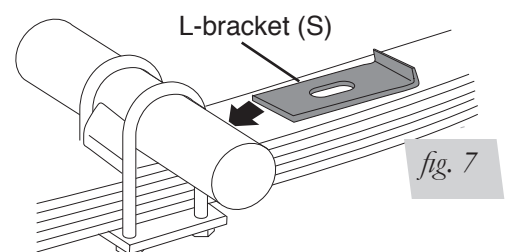
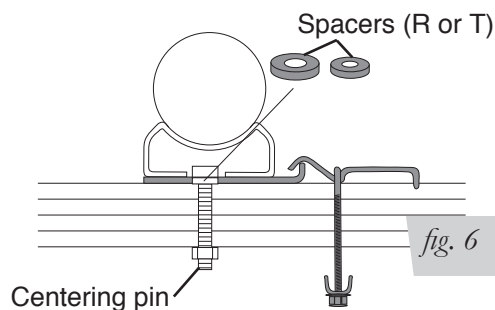
There are two different size spacers (R or T). Use the spacer that fits and discard the other.

4. Reinstall the centering pin. If the nut does not have full thread contact, replace the centering pin.
5. GMT 800 (1999 to 2007) classic models mount forward of the axle. GMT 900 (2007 and later) models mount behind the axle.
6. Set the L-bracket (S) on the leaf, making sure the centering pin goes through the slot on the L-bracket. Drop the axle down, and reinstall the u-bolts. Slightly tighten the u-bolts so that the lower bracket can be adjusted later (fig. 7).

NOTE

It is recommended that the u-bolts be replaced with new ones (not provided).

7. Install the L-bracket on the other side, repeating the steps above.



ATTACHING THE LOWER BRACKET

1. Set the installation tool assembly on the leaf spring.

NOTE

GMT 800 (1999 to 2007) classic models mount forward of the axle. GMT 900 (2007 and later) models mount behind the axle.

2. Place the hook end of the lower bracket (D) over the stock U-bolt or the edge of the L-bracket (for flipped axle lowering kits) (fig. 1 or 2).

NOTE

This is important so that the lower bracket does not “walk” up the leaf spring.

3. Attach the lower bracket to the leaf spring with the supplied U-bolt (F), lower clamp bar (E), 3/8” flat washers (I) and nyloc nuts (K). Torque to 16 ft/lbs.

NOTE

The bracket will pull down flat to the leaf spring when the nuts are tightened.

POSITIONING THE UPPER BRACKET

NOTE

See the special instructions for Sierra/Silverado GMT 800 and GMT 900 on page 8 and 9 before proceeding with installation.

NOTE

Vehicle must be at custom ride height (see Getting Started on page 5).

1. Using the slot in the lower bracket (D), push the upper bracket (C) against the frame rail.
2. Use the pal nut on the threaded portion of the installation tool and a supplied nylon nut to adjust the upper bracket so that the upper bracket legs are flat against the frame rail and all four holes are in the middle section of the frame. The mounting holes must stay 3/4” from the rounded edges of the frame rail and **AT LEAST 1.25” must be left above the top of the upper bracket for air fitting clearance (see Special Instructions on GMT 900 Installation)**. The brackets can be mounted anywhere within the threaded range of the installation tool.

NOTE

On some models it may be necessary to invert the upper bracket in a “legs up” position to achieve the correct mounting position (fig. 1 or 2).

ATTACHING THE UPPER BRACKET

IMPORTANT: Please read this entire section before drilling any holes.

CAUTION

BEFORE DRILLING, CHECK THE BACK SIDE OF THE FRAME FOR CLEARANCE ISSUES SUCH AS BRAKE LINES, GAS LINES, ELECTRICAL LINES, ETC. ALL OBSTACLES NEED TO BE TEMPORARILY RELOCATED TO CLEAR THE AREA.

1999-2007 GMT 800 Silverado/Sierra Classic Models

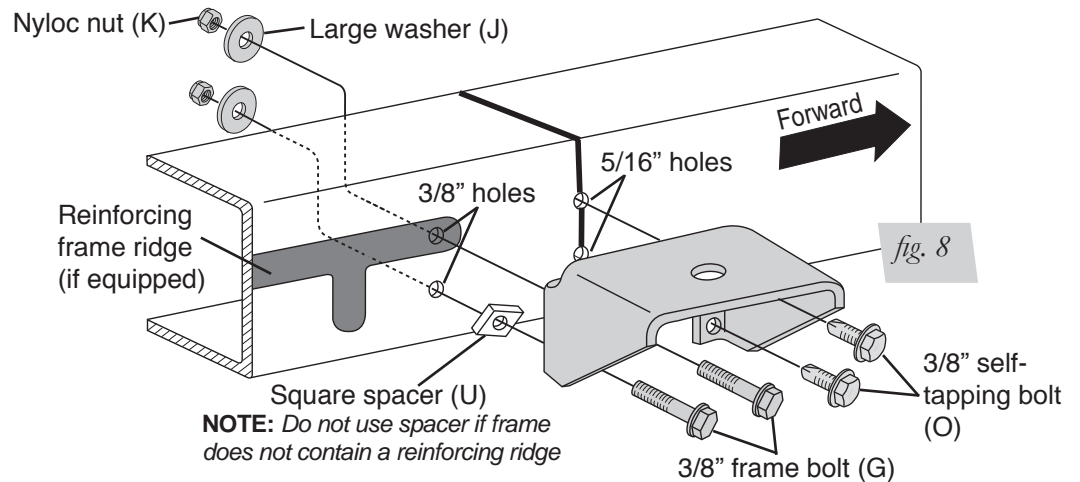
1. Adjust the upper bracket along the installation tool until the upper rearward hole lines up squarely on the ridge (fig. 8).

NOTE

Not all models have this reinforcing frame ridge. If the frame is flat, mount as high on the tool as allowed. Maintain at least a 1.25” opening above the upper bracket for valve clearance.

2. Center punch the lower rear hole and drill a 3/8” hole through the frame (fig. 8).
3. If equipped with a frame reinforcement ridge, insert the square spacer (U) between the upper bracket and the frame as shown in figure 8. Loosely attach with a 3/8” self-tapping bolt (G), large washer (J), and nyloc nut (K).
4. Center punch the forward lower hole, and drill a 5/16” hole (fig. 8).
5. Remove the installation tool by removing the lower attaching bolt and the upper nylon nut. Swing the upper bracket down to remove the tool.

- Attach the upper bracket at the forward lower hole with a self-tapping bolt (O) (fig. 8). Tighten the rear lower hole frame bolt securely.
- Center punch and drill the two remaining upper holes (fig. 8). Drill a 5/16" hole in the forward upper hole and attach with a 3/8" self-tapping bolt (O). Drill a 3/8" hole in the rear upper hole, attaching with a 3/8" frame bolt (G), large washer (J) and nyloc nut (K).



2007 & Later GMT 900 Silverado/Sierra Models

- Position the upper bracket using the threaded portion of the tool so that the top, forward mounting hole is slightly above the large slot in the side of the frame (fig. 9).

NOTE

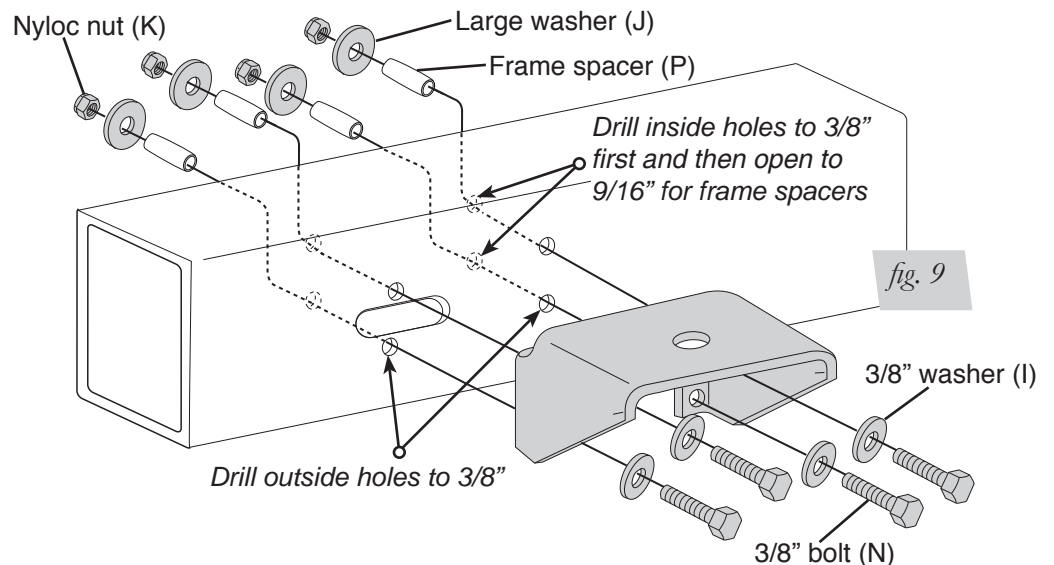
Maintain a distance of 1.25" above the upper bracket for valve clearance. If needed, it may be necessary to bend the flange on the inner wheel well seam to obtain this clearance.

- Using the upper bracket as a template, drill 3/8" holes through the frame for the mounting hardware (fig. 9).

NOTE

For clearance when drilling the frame, it may be necessary to unbolt and move the brake line bracket on the driver side.

- Frame spacers must be used to keep the frame from crushing when tightening the upper brackets. In order to place the spacers into the frame, it will be necessary to drill the 3/8" holes previously drilled, out to 9/16" on the inside holes only. (fig. 9).



4. Remove the installation tool and attach the upper brackets (fig. 9):
 - Attach a flat washer (I) to the long 3/8" bolt (N).
 - Insert the bolt through the upper bracket, into and through the inside of the frame.
 - Insert the frame spacer (P) over the long bolt, into the frame (from the inside).
 - Cap with a large flat washer (J) and nyloc nut (K).
 - Repeat for all four bolts. Tighten securely.
 - Reattach the brake line bracket if previously removed.

MOUNTING THE AIR SPRING

1. Install the air fitting into the top of the air spring. Tighten with fingers and then seal the fitting by tightening one and a half turns with an 7/16" open-end wrench, being careful to tighten on the metal hex nut only. **IMPORTANT:** Do not overtighten.

NOTE

This swivel air fitting is precoated with a sealant.

2. Collapse the air spring and guide the fitting through the center mounting hole in the upper bracket.
3. Install the nylon nut (H) onto the upper threadpost of the air spring. **Leave loose for final adjustment.**
4. Attach the air spring to the lower bracket. Carefully hold the lower mounting bolt with a 3/4" open end wrench and hand turn the air spring onto the lower mounting bolt. Important: **Leave loose for later adjustment.**
5. Tighten the nylon nut to 4 ft/lbs. **IMPORTANT:** Do not overtighten.

INSTALLING THE AIR LINES

1. Choose a convenient location for mounting the inflation valves. Popular locations for the inflation valve are:
 - a. The wheel well flanges.
 - b. License plate recess in bumper.
 - c. Under the gas cap access door.
 - d. Through license plate itself.

NOTE

What ever the chosen location is, make sure there is enough clearance around the inflation valves for an air chuck.

2. Drill a 5/16" hole to install the inflation valves.
3. Cut the air line assembly (AA) in two equal lengths.

CAUTION

WHEN CUTTING OR TRIMMING THE AIR LINE, USE A HOSE CUTTER, A RAZOR BLADE OR A SHARP KNIFE. A CLEAN, SQUARE CUT WILL ENSURE AGAINST LEAKS. DO NOT USE WIRE CUTTERS OR SCISSORS TO CUT THE AIR LINE. THESE TOOLS MAY FLATTEN OR CRIMP THE AIR LINE, CAUSING IT TO LEAK AROUND THE O-RING SEAL INSIDE THE ELBOW FITTING (FIG. 10)

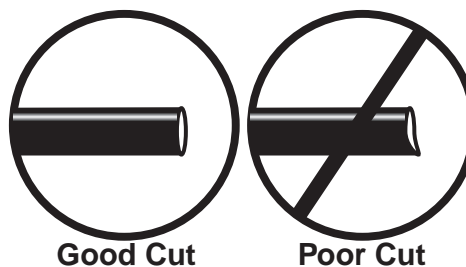
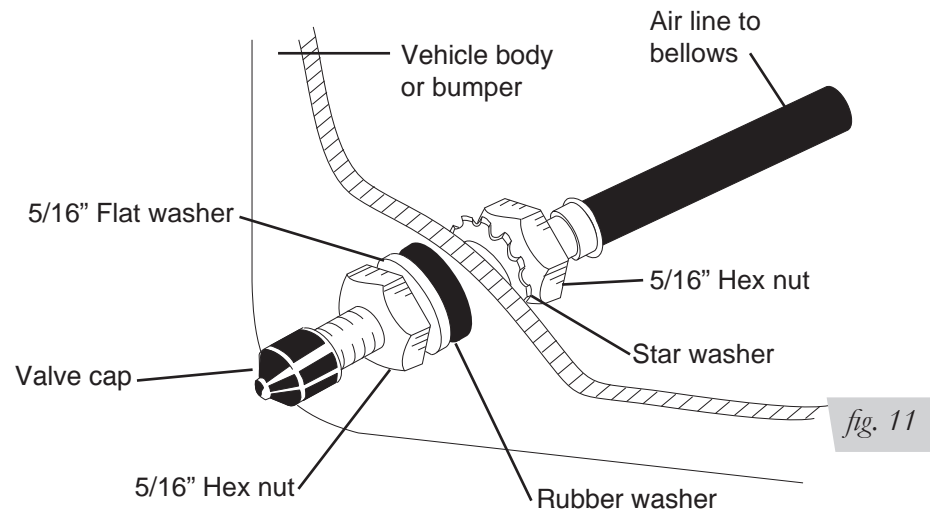
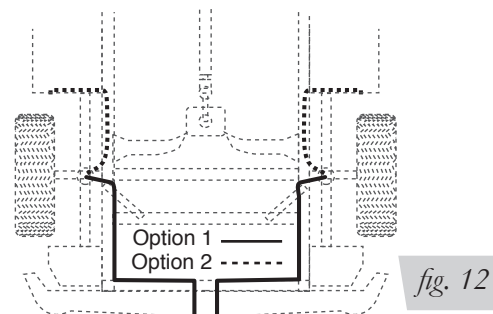


fig. 10

4. Place a 5/16" nut (GG) and a star washer (FF) on the air valve. Leave enough of the inflation valve in front of the nut to extend through the hole and have room for the rubber washer (EE), flat washer (DD), and 5/16" nut (GG) and cap (CC). There should be enough valve exposed after installation - approximately 1/2" - to easily apply a pressure gauge or an air chuck (fig. 11).
5. Push the inflation valve through the hole and use the rubber washer (EE), flat washer (DD), and another 5/16" nut (GG). Tighten the nuts to secure the assembly in place (fig. 11).



6. Route the air line along the frame to the air fitting on the air spring (fig. 12). Keep AT LEAST 6" of clearance between the air line and heat sources, such as the exhaust pipes, muffler, or catalytic converter. Avoid sharp bends and edges. Use the plastic tie straps (BB) to secure the air line to fixed, non-moving points along the chassis. Be sure that the tie straps are tight, but do not pinch the air line. Leave at least 2" of slack to allow for any movement that might pull on the air line.



7. Cut off air line leaving approximately 12" of extra air line. A clean square cut will ensure against leaks (see fig. 10). Insert the air line into the air fitting. This is a push to connect fitting. Simply push the air line into the 90° swivel fitting until it bottoms out (9/16" of air line should be in the fitting).

ALIGNING THE AIR SPRING

IMPORTANT: With the bottom of the air spring still loose, inflate the air spring to approximately 10 PSI.

1. Use the slotted adjustment in the lower bracket to correctly align the air spring between the upper and lower brackets. This can be accomplished by tapping it inboard (towards the vehicle) or outboard (towards the wheel) for proper alignment. There should be a symmetrical cushion of air around the base of the air spring when correctly positioned. (fig. 13).

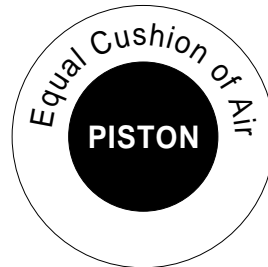


fig. 13

2. If the L-brackets were installed (flipped application installation), torque the u-bolts to OEM specifications.
3. Repeat on the other side of the vehicle.

CHECKING FOR LEAKS

1. Inflate the air spring to 30 PSI and spray all connections and the inflation valves with a solution of 1/5 liquid dish soap and 4/5 water to check for leaks. Spot leaks easily by looking for bubbles in the soapy water.
2. After the test, deflate the springs to the minimum pressure required to restore the custom ride height, no less than 10 PSI.
3. Check the air pressure again after 24 hours. A 2-4 PSI. loss after initial installation is normal. Retest for leaks if the loss is more than 5 lbs.

FIXING LEAKS

1. If there is a problem with the swivel fitting:
 - a. Check the air line connection by deflating the spring and removing the line by pulling the collar against the fitting and pulling firmly on the air line. Trim 1" off the end of the air line. Be sure the cut is clean and square (see fig. 10). Reinsert the air line into the push-to-connect fitting.
 - b. Check the threaded connection by tightening the swivel fitting another ½ turn. If it still leaks, deflate the air spring, remove the fitting, and re-coat the threads with thread sealant. Reinstall by hand tightening as much as possible, then use a wrench for an additional two turns.
2. If there is a problem with the inflation valve, then:
 - a. Check the valve core by tightening it with a valve core tool.
 - b. Check the air line connection by removing the air line from the barbed type fitting.

CAUTION

DO NOT CUT THE AIR LINE COMPLETELY OFF AS THIS WILL NICK THE BARB AND RENDER THE FITTING USELESS.

3. If the preceding steps have not resolved the problem, call Air Lift customer service at (800) 248-0892 for assistance.

Before Operating

INSTALLATION CHECKLIST

- Clearance test — Inflate the air springs to 60 PSI and make sure there is at least ½” clearance from anything that might rub against each sleeve. Be sure to check the tire, brake drum, frame, shock absorbers and brake cables.
- Leak test before road test — Inflate the air springs to 30 PSI and check all connections for leaks. Refer to “Checking for Leaks” on page 12. All leaks must be eliminated before the vehicle is road tested.
- Heat test — Be sure there is sufficient clearance from heat sources, at least 6” for air springs and air lines. If a heat shield was included in the kit, install it. If there is no heat shield, but one is required, call Air Lift customer service at (800) 248-0892.
- Fastener test — Recheck all bolts for proper torque.
- Road test — The vehicle should be road tested after the preceding tests. Inflate the springs to 25 PSI (50 PSI if the vehicle is loaded). Drive the vehicle 10 miles and recheck for clearance, loose fasteners and air leaks.
- Operating instructions — If professionally installed, the installer should review the operating instructions with the owner. Be sure to provide the owner with all of the paperwork that came with the kit.

Technician's Signature _____

Date _____

POST-INSTALLATION CHECKLIST

- Overnight leak down test — Recheck air pressure after the vehicle has been used for 24 hours. If the pressure has dropped more than 5 PSI, then there is a leak that must be fixed. Either fix the leak yourself or return to the installer for service.
- Air pressure requirements — I understand the air pressure requirements of my air spring system. Regardless of load, the air pressure should always be adjusted to maintain the custom ride height at all times.
- Thirty day or 500 mile test — I understand that I must recheck the air spring system after 30 days or 500 miles, whichever comes first. If any part shows signs of rubbing or abrasion, the source should be identified and moved, if possible. If it is not possible to relocate the cause of the abrasion, the air spring may need to be remounted. If professionally installed, the installer should be consulted. Check all fasteners for tightness.

Maintenance and Servicing

Minimum Air Pressure	Maximum Air Pressure
10 PSI	100 PSI
FAILURE TO MAINTAIN CORRECT MINIMUM PRESSURE (OR PRESSURE PROPORTIONAL TO LOAD), BOTTOMING OUT, OVER-EXTENSION OR RUBBING AGAINST ANOTHER COMPONENT WILL VOID THE WARRANTY.	

MAINTENANCE GUIDELINES

NOTE

By following these steps, vehicle owners will obtain the longest life and best results from their air spring.

1. Check the air pressure weekly.
2. Always maintain normal ride height. Never inflate beyond 100 PSI.
3. If you develop an air leak in the system, use a soapy water solution to check all air line connections and the inflation valve core, before deflating and removing the spring.
4. When increasing load, always adjust the air pressure to maintain normal ride height. Increase or decrease pressure from the system as necessary to attain normal ride height for optimal ride and handling. Remember that loads carried behind the axle (including tongue loads) require more leveling force (pressure) than those carried directly over the axle.

CAUTION

FOR YOUR SAFETY AND TO PREVENT DAMAGE TO YOUR VEHICLE, DO NOT EXCEED MAXIMUM GROSS VEHICLE WEIGHT RATING (GVWR), AS INDICATED BY THE VEHICLE MANUFACTURER. ALTHOUGH YOUR AIR SPRINGS ARE RATED AT A MAXIMUM INFLATION PRESSURE OF 100 PSI, THE AIR PRESSURE ACTUALLY NEEDED IS DEPENDENT ON YOUR LOAD AND GVWR.

5. Always add air to the springs in small quantities, checking the pressure frequently. Sleeves require less air volume than a tire and inflate quickly.
6. Should it become necessary to raise the vehicle by the frame, make sure the system is at a minimum pressure (10 PSI) to reduce tension on the suspension/brake components. Use of on-board leveling systems do not require deflation or disconnection.

Troubleshooting Guide

1. Leak test the air line connections, threaded connection of the elbow into the air spring, and the inflation valves. See "Fixing Leaks" on page 12 for repair.
2. Check for dirt debris in the valve core.
3. Inspect the air lines to be sure none are pinched. Tie straps may be too tight. Loosen or replace the strap and replace leaking components.
4. Inspect the air line for holes and cracks. Replace as needed.
5. Look for a kink or fold in the air line. Reroute as needed.

If the preceding steps do not solve the problem, it is most likely caused by a failed air spring — either a factory defect or an operating problem. Please call Air Lift at (800) 248-0892 for assistance or a replacement air spring.

Product Use

FREQUENTLY ASKED QUESTIONS

Q. Will installing air springs increase the weight ratings of a vehicle?

No. Adding air springs will not change the weight ratings (GAWR, GCWR and/or GVWR) of a vehicle. Exceeding the GVWR is dangerous and voids the Air Lift warranty.

Q. Is it necessary to keep air in the air springs at all times and how much pressure will they need?

The minimum air pressure should be maintained at all times. The minimum air pressure keeps the air spring in shape, ensuring that it will move throughout its travel without rubbing or wearing on itself.

Q. Is it necessary to add a compressor system to the air springs?

No. Air pressure can be adjusted with any type of compressor as long as it can produce sufficient pressure to service the springs. Even a bicycle tire pump can be used, but it's a lot of work.

Q. How long should air springs last?

If the air springs are properly installed and maintained they can last indefinitely.

Q. Will raising the vehicle on a hoist for service work damage the air springs?

No. The vehicle can be lifted on a hoist for short-term service work such as tire rotation or oil changes. However, if the vehicle will be on the hoist for a prolonged period of time, support the axle with jack stands in order to take the tension off of the air springs.

TUNING THE AIR PRESSURE

Pressure determination comes down to three things — level vehicle, ride comfort, and stability.

1. Level vehicle

If the vehicle's headlights are shining into the trees or the vehicle is leaning to one side, then it is not level (fig. 14). Raise the air pressure to correct either of these problems and level the vehicle.

2. Ride comfort

If the vehicle has a rough and harsh ride it may be due to either too much pressure or not enough (fig. 15). Try different pressures to determine the best ride comfort.

3. Stability

Stability translates into safety and should be the priority, meaning the driver may need to sacrifice a perfectly level and comfortable ride. Stability issues include roll control, bounce, dive during braking and sponginess (fig. 16). Tuning out these problems usually requires an increase in pressure.



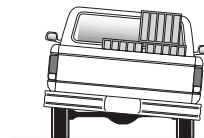
GUIDELINES FOR ADDING AIR

1. Start with the vehicle level or slightly above.
2. When in doubt, always add air.
3. For motorhomes, start with 50-100 PSI in the rear because it can be safely assumed that it is heavily loaded.
4. If the front of the vehicle dives while braking, increase the pressure in the front air bags, if equipped.
5. If it is ever suspected that the air bags have bottomed out, increase the pressure (fig. 17).
6. Adjust the pressure up and down to find the best ride.
7. If the vehicle rocks and rolls, adjust the air pressure to reduce movement.
8. It may be necessary to maintain different pressures on each side of the vehicle. Loads such as water, fuel, and appliances will cause the vehicle to be heavier on one side (fig. 18). As much as a 50 PSI difference is not uncommon.

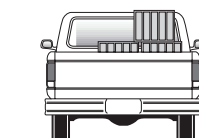


Bottoming out

fig. 17



Unlevel



Level

fig. 18

Replacement Information

If you need replacement parts, contact the local dealer or call Air Lift customer service at (800) 248-0892. Most parts are immediately available and can be shipped the same day.

Contact Air Lift Company customer service at (800) 248-0892, first if:

- Parts are missing from the kit.
- Need technical assistance on installation or operation.
- Broken or defective parts in the kit.
- Wrong parts in the kit.
- Have a warranty claim or question.

Contact the retailer where the kit was purchased:

- If it is necessary to return or exchange the kit for any reason.
- If there is a problem with shipping if shipped from the retailer.
- If there is a problem with the price.

Contact Information

If you have any questions, comments or need technical assistance contact our customer service department by calling (800) 248-0892, Monday through Friday, 8 a.m. to 5 p.m. Eastern Time. For calls from outside the USA or Canada, our local number is (517) 322-2144.

For inquiries by mail, our address is PO Box 80167, Lansing, MI 48908-0167. Our shipping address for returns is 2727 Snow Road, Lansing, MI 48917.

You may also contact us anytime by e-mail at sales@airliftcompany.com or on the web at www.airliftcompany.com.

Warranty and Returns Policy

Air Lift Company warrants its products, for the time periods listed below, to the original retail purchaser against manufacturing defects when used on catalog-listed applications on cars, vans, light trucks and motorhomes under normal operating conditions for as long as Air Lift manufactures the product. The warranty does not apply to products that have been improperly applied, improperly installed, used in racing or off-road applications, used for commercial purposes, or which have not been maintained in accordance with installation instructions furnished with all products. The consumer will be responsible for removing (labor charges) the defective product from the vehicle and returning it, transportation costs prepaid, to the dealer from which it was purchased or to Air Lift Company for verification.

Air Lift will repair or replace, at its option, defective products or components. A minimum \$10.00 shipping and handling charge will apply to all warranty claims. Before returning any defective product, you must call Air Lift at (800) 248-0892 in the U.S. and Canada (elsewhere, (517) 322-2144) for a Returned Materials Authorization (RMA) number. Returns to Air Lift can be sent to: Air Lift Company • 2727 Snow Road • Lansing, MI • 48917.

Product failures resulting from abnormal use or misuse are excluded from this warranty. The loss of use of the product, loss of time, inconvenience, commercial loss or consequential damages is not covered. The consumer is responsible for installation/reinstallation (labor charges) of the product. Air Lift Company reserves the right to change the design of any product without assuming any obligation to modify any product previously manufactured.

This warranty gives you specific legal rights and you may also have other rights that vary from state-to-state. Some states do not allow limitations on how long an implied warranty lasts or allow the exclusion or limitation of incidental or consequential damages. The above limitation or exclusion may not apply to you. There are no warranties, expressed or implied including any implied warranties of merchantability and fitness, which extend beyond this warranty period. There are no warranties that extend beyond the description on the face hereof. Seller disclaims the implied warranty of merchantability. (Dated proof of purchase required.)

Air Lift 1000	Lifetime Limited	Load Controller (I)	2 Year Limited
RideControl	Lifetime Limited	Load Controller (II)	2 Year Limited
SlamAir	Lifetime Limited	SmartAir	2 Year Limited
LoadLifter 5000*	Lifetime Limited	Wireless AIR	2 Year Limited
EasyStreet Systems	1 Year Limited	Other Accessories	2 Year Limited

**formerly SuperDuty*

Need Help?

Contact our customer service department by calling (800) 248-0892, Monday through Friday, 8 a.m. to 5 p.m. Eastern Time. For calls from outside the USA or Canada, our local number is (517) 322-2144.

**Register your warranty online at
www.airliftcompany.com/warrantyreg.htm**



Thank you for purchasing Air Lift products — the professional installer's choice!

Air Lift Company • 2727 Snow Road • Lansing, MI 48917 or PO Box 80167 • Lansing, MI 48908-0167
Toll Free (800) 248-0892 • Local (517) 322-2144 • Fax (517) 322-0240 • www.airliftcompany.com

Printed in
the USA