

Load**LIFTER**5000™

ADJUSTABLE AIR HELPER SPRINGS

TOW AND HAUL WITH SAFETY AND COMFORT™



Kit Number
88245

INSTALLATION GUIDE

For maximum effectiveness and safety, please read these instructions completely before proceeding with installation.

Failure to read these instructions can result in an incorrect installation.

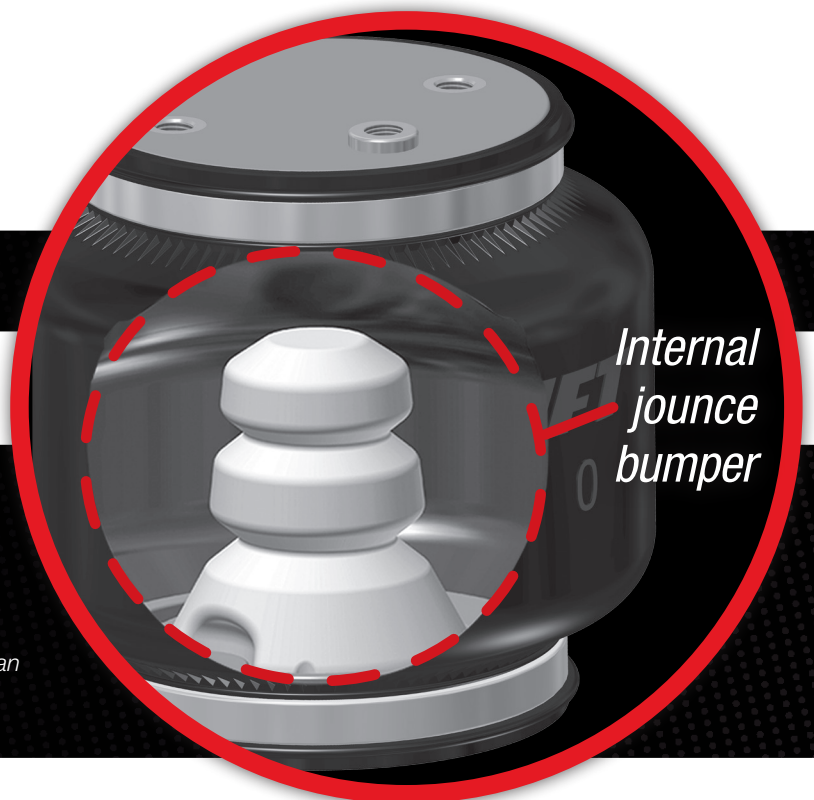


TABLE OF CONTENTS

Introduction	2
Important Safety Notice	2
Notation Explanation	2
Installation Diagram	3
Hardware and Tools Lists	4
Installing the LoadLifter 5000 ULTIMATE System	5
Tips for Installing Air Lines	7
Checking for Leaks	9
Before Operating	10
Installation Checklist	10
Post-Installation Checklist	10
Product Use, Maintenance and Servicing	11
Minimum and Maximum Pressure	11
Maintenance Guidelines	11
Troubleshooting Guide	12
Frequently Asked Questions	12
Tuning the Air Pressure	13
Guidelines for Adding Air	13
Choosing the Right On-Board Air Compressor System	14
Replacement Information	16
Contact Information	16
Warranty and Returns Policy	17

Introduction

The purpose of this publication is to assist with the installation, maintenance and troubleshooting of the LoadLifter 5000 ULTIMATE air spring kit. LoadLifter 5000 ULTIMATE utilizes sturdy, reinforced, commercial-grade single or double, depending on the kit, convolute bellows. The bellows are manufactured like a tire with layers of rubber and cords that control growth. An internal jounce bumper inside the spring absorbs shock and eliminates harsh jarring on rough roads. LoadLifter 5000 ULTIMATE kits are recommended for most $\frac{3}{4}$ and 1 ton pickups and SUVs with leaf springs and provide up to 5,000 pounds of load leveling support with air adjustability from 5-100 PSI. The kits are also used in motor home rear applications and various front applications where leaf springs are used.

It is important to read and understand the entire installation guide before beginning installation or performing any maintenance, service or repair. The information here includes a hardware list, tool list, step-by-step installation information, maintenance tips, safety information and a troubleshooting guide.

Air Lift Company reserves the right to make changes and improvements to its products and publications at any time. For the latest version of this manual, contact Air Lift Company at (800) 248-0892 or visit www.airliftcompany.com.

IMPORTANT SAFETY NOTICE

The installation of this kit does not alter the Gross Vehicle Weight Rating (GVWR) or payload of the vehicle. Check your vehicle's owner's manual and do not exceed the maximum load listed for your vehicle.

Gross Vehicle Weight Rating: The maximum allowable weight of the fully loaded vehicle (including passengers and cargo). This number — along with other weight limits, as well as tire, rim size and inflation pressure data — is shown on the vehicle's Safety Compliance Certification Label.

Payload: The combined, maximum allowable weight of cargo and passengers that the vehicle is designed to carry. Payload is GVWR minus the Base Curb Weight.

NOTATION EXPLANATION

Hazard notations appear in various locations in this publication. Information which is highlighted by one of these notations must be observed to help minimize risk of personal injury or possible improper installation which may render the vehicle unsafe. Notes are used to help emphasize areas of procedural importance and provide helpful suggestions. The following definitions explain the use of these notations as they appear throughout this guide.



INDICATES IMMEDIATE HAZARDS WHICH WILL RESULT IN SEVERE PERSONAL INJURY OR DEATH.



INDICATES HAZARDS OR UNSAFE PRACTICES WHICH COULD RESULT IN SEVERE PERSONAL INJURY OR DEATH.



INDICATES HAZARDS OR UNSAFE PRACTICES WHICH COULD RESULT IN DAMAGE TO THE MACHINE OR MINOR PERSONAL INJURY.

NOTE

Indicates a procedure, practice or hint which is important to highlight.

Installation Diagram

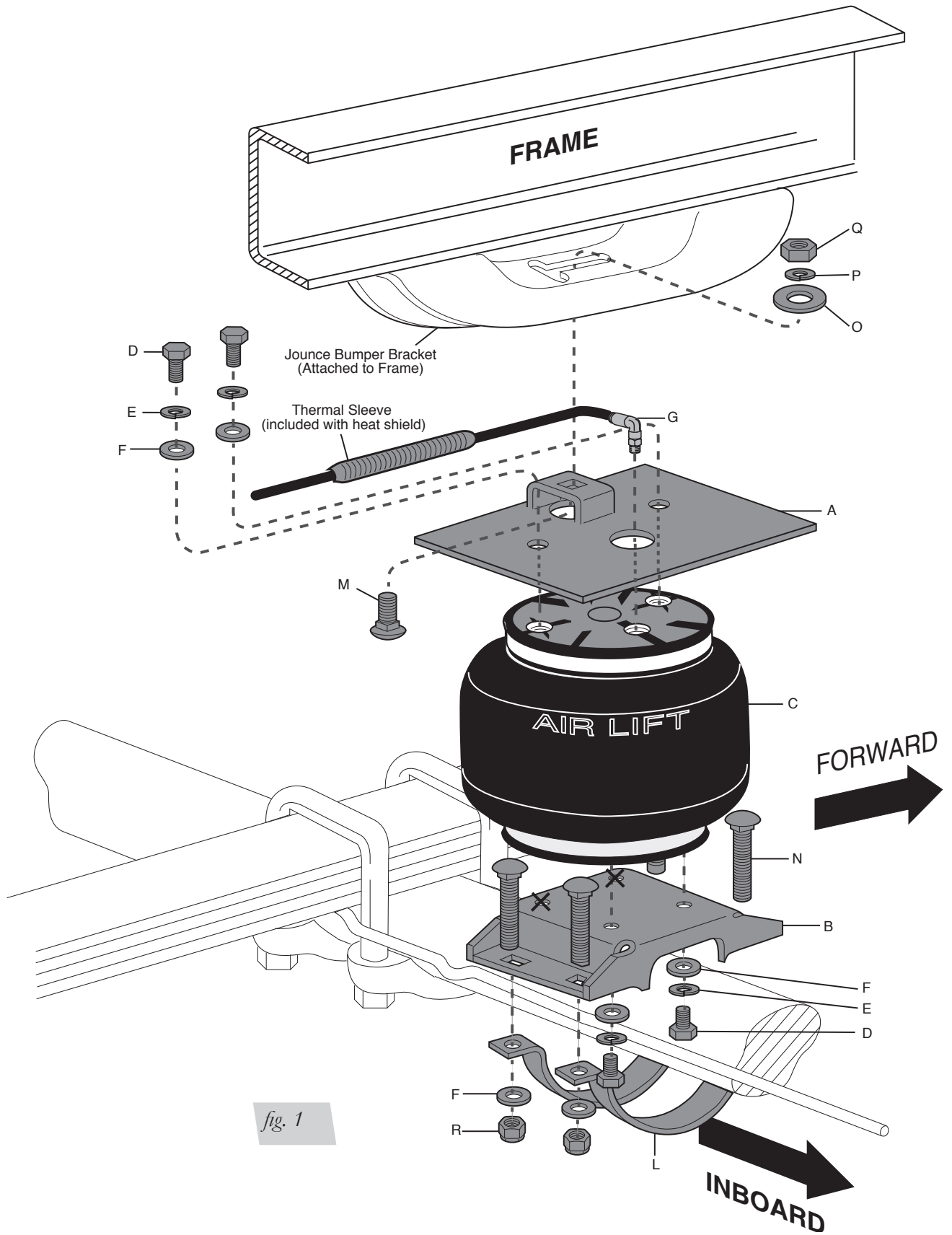


fig. 1

Hardware and Tools Lists

HARDWARE LIST

Item	Part #	Description	Qty
A	07847	Upper Bracket	2
B	03020	Lower Bracket	2
C	58740	Bellows	2
D	17203	3/8"-24X7/8" Hex Cap Screw	8
E	18427	3/8" Split Lock Washer	8
F	18444	3/8" Flat Washer	16
G	21837	90° Swivel Fitting	2
H	13232	Spacer	1
I	17252	M8-1.25X35 Bolt	1
J	18501	M8 Flat Washer	2
K	20086	Hose Assembly	1
L	01815	Axle Strap	4
M	17186	1/2"-13X1-1/2" Carriage Bolt	2
N	17277	3/8"-16X3" Carriage Bolt	8
O	18414	1/2" Flat Washer	2
P	18429	1/2" Split Lock Washer	2
Q	18431	1/2"-13 Nut	2
R	18435	3/8"-16 Nylon Lock Nut	8
S	10466	Zip Tie	6
T	18411	5/16" Serrated Lock Washer	2
U	21230	Valve Cap	2
V	21233	5/16" Hex Nut	4
W	21234	5/16" Flat Washer	2

TOOLS LIST

Description

Standard open end or box end wrenches
 Ratchet with standard sockets
 Drill and 5/16", 1/2" Drill Bits
 Torque Wrench
 Hose Cutter, Razor Blade or Sharp Knife
 Safety Glasses
 Air Compressor or Compressed Air Source
 Spray Bottle with Dish Soap/Water Solution



Missing or damaged parts? Call Air Lift customer service at (800) 248-0892 for a replacement part.

Installing the LoadLifter5000 ULTIMATE System

WARNING

DO NOT INFLATE THE BELLOWS WHEN THEY ARE UNRESTRICTED OR NOT INSTALLED. BELLOWS MUST BE CONTAINED BY SUSPENSION OR OTHER ADEQUATE STRUCTURE. DO NOT INFLATE BEYOND 100 PSI IMPROPER USE OR OVER-INFLATION MAY CAUSE THE ASSEMBLY TO BURST CAUSING PROPERTY DAMAGE OR SEVERE PERSONAL INJURY.

NORMAL RIDE HEIGHT (no load): — This is defined as the distance between the bottom edge of the fenderwell to the center point of the wheel with the vehicle in an “as-delivered condition” (without a load, i.e. tool box, camper, etc.) measurements should be taken before beginning the installation. The distance from the bottom edge of the fender well to the center point of the wheel should be recorded. All Air Lift kits are designed to be installed and operated at normal ride height.

Measure and record the normal ride height for later reference.

1. Jack up rear of vehicle or raise on hoist. Place safety jack stands under axle.
2. Install the fitting finger-tight plus 1 1/2 turns being careful to tighten on the metal hex nut only.
3. Insert a 1 1/2” carriage bolt (M) into the square hole of the upper bracket. Attach the upper bracket to the top plate of the air spring with two bolts (D), flat washers (F) and lock washers (E). (Fig. 1)
4. Attach the lower bracket to the bottom plate of the air spring using the mounting holes shown in Fig. 2. The lower bracket will be offset outboard away from the air fitting (Fig. 4). Attach with 7/8” two bolts (D), flat washers (F) and lock washers (E). Torque to 20 lb./ft. Assemble units for both sides.

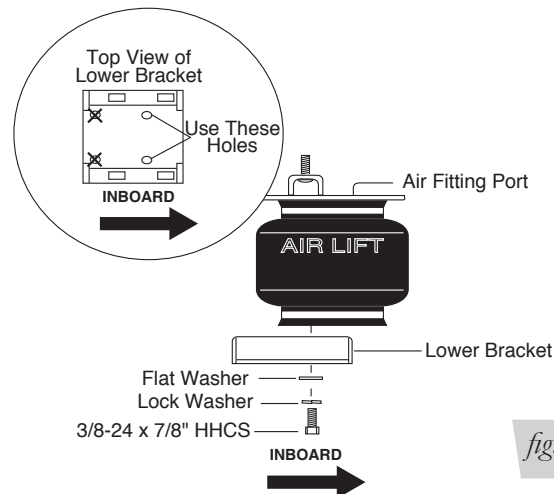
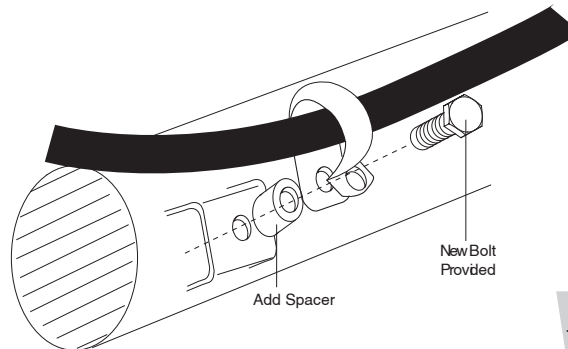


fig. 2

5. Remove the rubber jounce bumper on the frame rail by pulling it out of the slotted track in the jounce bumper bracket.
6. Set the assembly on the axle housing (Fig. 1). Push the threaded portion of the carriage bolt into the jounce bumper track. Loosely attach the upper bracket to the frame with a 1 1/2” carriage bolt (M), flat washer (O), lock washer (P), and nut (Q). (Fig. 1)

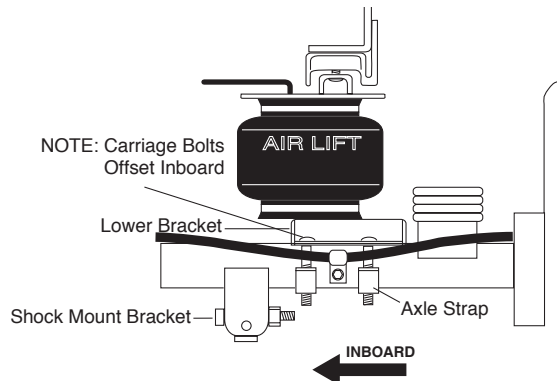
- On models with disc brakes, make sure that the emergency brake cable is above the upper bracket on the driver's side. Also, remove the bolt holding the cable onto the back-side of the passenger's side axle. Install the supplied spacer between the bracket and the emergency brake cable clip. Insert the supplied bolt and tighten the cable down securely. (Fig. 3)



- LOOSELY attach the lower bracket and straps around the axle using the 3" carriage bolts (N), flat washers (F) and lock nuts (R). Both straps will be attached between the leaf spring stack and the shock mount bracket. (Fig. 4)

NOTE

For models with disc brakes: The inside strap on the passenger-side goes between the emergency brake cable bracket and the shock bracket on the axle. (Fig. 4)



- Align the air spring. With the unit aligned, tighten the lower bracket securely to the axle.

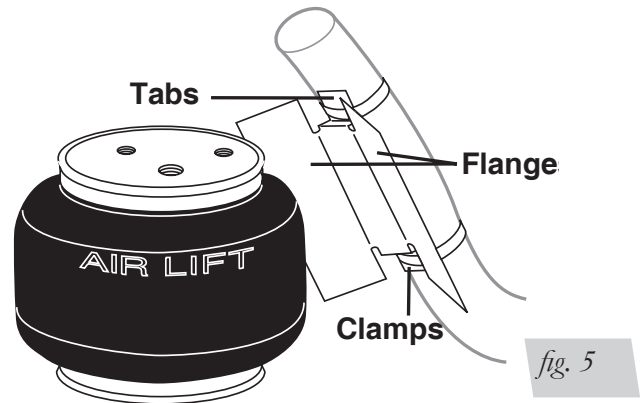
NOTE

The air spring should have at least a "thumbs width" clearance between it and any interference.

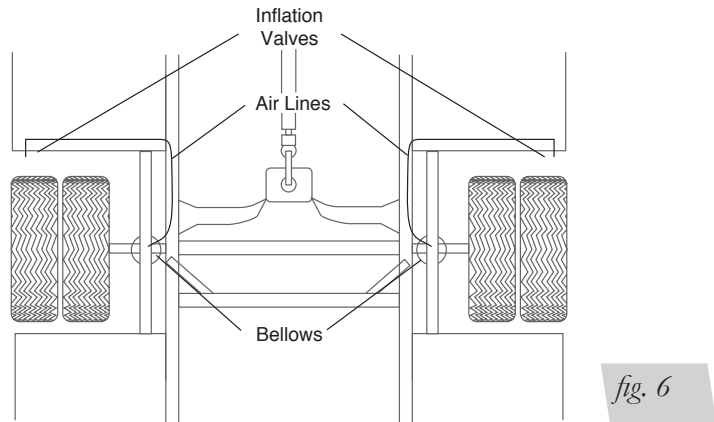
- Tighten the FRONT 3/8" nylon lock nuts first and then the rear nuts to prevent any interference with the brake line. Torque to 20 lb./ft.

- Torque the 1/2" nut on the upper bracket to 20 lb./ft. (Fig. 1)

12. Installation of this kit requires an exhaust heat shield (Fig. 5). The shield is attached with the stainless steel clamps to the exhaust pipe, with the flanges bent inward. Shield may be trimmed or bent to attain component clearance. Bend tabs to provide 1/2" dead air space between exhaust pipes and heat shield and maximum clearance with air springs.



13. Select a location for the inflation valves in the rear bumper area or rocker panel flange ensuring that each valve will be protected and accessible with an air hose. (Fig. 6)




TIPS FOR INSTALLING AIR LINES

When cutting air lines, use a sharp knife or a hose cutter and make clean, square cuts (Fig. 7). Do not use scissors or wire cutters because these tools may deform the air line, causing it to leak around fittings. Do not cut the lines at an angle.

Do not bend the 1/4" hose at a radius of less than 1" and don't put side load pressure on fitting. The hose should be straight beyond the fitting for 1" before bending.

Inspect hose for scratches that run lengthwise on hose prior to installation. Contact Air Lift customer service at (800) 248-0892 if the air line is damaged.

 To watch a video demonstrating proper air line cutting, go to air-lift.co/cuttingairline

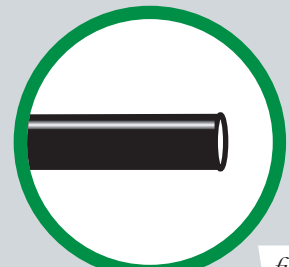


fig. 7



14. Cut the air line assembly into the equal parts. Drill 5/16" hole for inflation valves and mount as illustrated. Rubber washer on the outside is for weather seal. (Fig. 8)

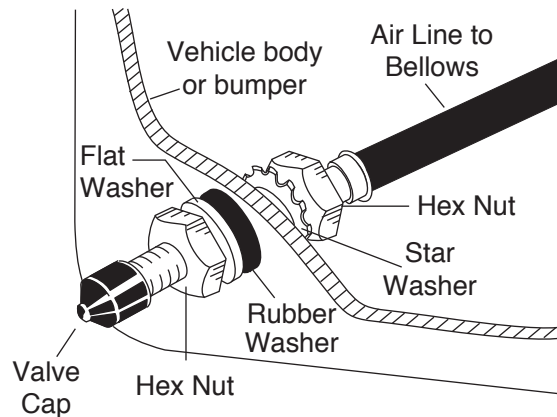


fig. 8

CAUTION

LEAVE SUFFICIENT HOSE SLACK TO PREVENT ANY STRAIN ON VALVE STEM DURING NORMAL AXLE MOTIONS.

15. Route the air line from the inflation valve location along the frame rail to the air springs. Route the air line so that it will be protected from the direct heat from the muffler or tailpipe and kept away from sharp edges. The air line should not be bent or curved sharply (Fig. 6). Attach air line to chassis with the provided plastic straps.

NOTE

To prevent the air line from melting, keep it at least six inches from the exhaust system. Use the thermal sleeve on the exhaust side. (Fig. 1)

16. Slide a thermal sleeve onto the air line from the cut end on the tail pipe side of the vehicle.
17. Cut off the excess air line squarely and install into the fitting. This is a push-to-connect fitting. Push and slightly turn the cut end of the air line into the fitting as far as it will go (5/16"). You will hear/feel a definite "click" when the air line is seated. The air line is now installed.
18. Repeat process for the other side.
19. Inflate the air springs to 60 PSI air pressure. Test for air leaks by applying a soapy solution to all valve cores, fittings and connections.
20. The installation is complete. Before proceeding, check once again to be sure there is a sufficient clearance around the air springs.
21. Lower the vehicle. Inflate the air springs until normal ride height measurement is restored. Air pressure should be adjusted so that the normal ride height is maintained at all times.
22. A 5-7 PSI loss after initial installation is normal. If pressure has dropped more than 7 PSI, re-test for leaks with soapy water solution.
23. For best ride, use only enough air pressure in the air springs to maintain normal ride height.

NOTE

Too much air pressure in the air springs will result in a stiffer ride, while too little air pressure will allow the vehicle to bottom out. Too little air pressure will also not provide the improvement in ride and handling that is possible.

CHECKING FOR LEAKS

1. Inflate the bellows and check the fittings for air leaks with a solution of soap and water.
2. Raise vehicle and remove safety jack stands. Lower vehicle to ground.
3. This now completes the installation. Before proceeding, check once again to be sure there is proper clearance around the bellows. With a load on the vehicle and the helper springs inflated, there must be at least 1/2" clearance all around the bellows.
4. Recheck air pressure after 24 hours. A 5-7 PSI loss after initial installation is normal. If pressure has dropped more than 7 PSI, retest for leaks with a soapy water solution.
5. For best ride use only enough air pressure in the air springs to level the vehicle when viewed from the side (front to rear). Inflate/deflate the air springs to maintain this height under various conditions of load.

Before Operating

INSTALLATION CHECKLIST (To be completed by installer)

- Clearance test — Inflate the air springs to 60 PSI and ensure there is at least 1/2" clearance around each bellow, away from anything that might rub against them. Be sure to check the tire, brake drum, frame, shock absorbers and brake cables.
- Leak test before road test — Inflate the air springs to 60 PSI, check all connections for leaks with a soapy water solution. See page 12 for tips on how to spot leaks. All leaks must be eliminated before the vehicle is road tested.
- Heat test — Be sure there is sufficient clearance from any heat sources — at least 6" for air springs and air lines. If a heat shield was included in the kit, install it. If there is no heat shield, but one is required, call (800) 248-0892.
- Fastener test — Recheck all bolts for proper torque. Axle clamp bar carriage bolt lock nuts should be torqued to 16 lb.-ft. Re-torque after 100 miles.
- Road test — The vehicle should be road tested after the preceding tests. Inflate the air springs to 25 PSI (50 PSI if the vehicle is loaded). Drive the vehicle 10 miles and recheck for clearance, loose fasteners and air leaks.
- Operating instructions — If professionally installed, the installer should review the Product Use, Maintenance and Servicing section on page 14 with the owner. Be sure to provide the owner with all of the paperwork which came with the kit.

Technician's Signature _____

Date _____

POST-INSTALLATION CHECKLIST

- Overnight leak down test — Recheck air pressure after the vehicle has been used for 24 hours. If the pressure has dropped more than 5 PSI, then there is a leak that must be fixed. Either fix the leak yourself or return to the installer for service.
- Air pressure requirements — Regardless of load, the air pressure should always be adjusted to maintain ride height at all times.
- Thirty-day or 500-mile test — Recheck the air spring system after 30 days or 500 miles, whichever comes first. If any part shows signs of rubbing or abrasion, the source should be identified and moved, if possible. If it is not possible to relocate the cause of the abrasion, the air spring may need to be remounted. If professionally installed, the installer should be consulted. Check all fasteners for tightness.

Product Use, Maintenance and Servicing

Minimum Recommended Pressure	Maximum Air Pressure
5 PSI	100 PSI

MAINTENANCE GUIDELINES

NOTE

By following the steps below, vehicle owners will obtain the longest life and best results from their air springs.

CAUTION

FOR YOUR SAFETY AND TO PREVENT POSSIBLE DAMAGE TO YOUR VEHICLE, DO NOT EXCEED MAXIMUM GROSS VEHICLE WEIGHT RATING (GVWR), AS INDICATED BY THE VEHICLE MANUFACTURER. ALTHOUGH YOUR AIR SPRINGS ARE RATED AT A MAXIMUM INFLATION PRESSURE OF 100 PSI, THE AIR PRESSURE ACTUALLY NEEDED IS DEPENDANT ON LOAD AND GVWR.

1. Check the air pressure weekly.
2. Always maintain normal ride height. Never inflate beyond 100 PSI.
3. If you develop an air leak in the system, use a soapy water solution (1/5 liquid dish soap and 4/5 water) to check all air line connections and the inflation valve core before deflating and removing the air spring.
4. Loaded vehicles require at least 25 PSI or more. A “loaded vehicle” refers to a vehicle with a heavy bed load, a trailer or both. As discussed above, never exceed GVWR, regardless of air spring, air pressure, or other load assist. The springs in this kit will support approximately 40 pounds of load (combined on both springs) for each 1 PSI of pressure. The required air pressure will vary depending on the state of the original suspension. Operating the vehicle below the minimum air spring pressure will void the Air Lift warranty.
5. When increasing load, always adjust the air pressure to maintain the normal ride height. Increase or decrease pressure from the system as necessary to attain normal ride height for optimal ride and handling. Remember that loads carried behind the axle (including tongue loads) require more leveling force (pressure) than those carried directly over the axle.
6. Always add air to springs in small quantities, checking the pressure frequently.
7. Should it become necessary to raise the vehicle by the frame, make sure the system is at minimum pressure (5 PSI) to reduce the tension on the suspension/ brake components. Use of on board leveling systems do not require deflation or disconnection.
8. Periodically check the air spring system fasteners for tightness. Also, check the air springs for any signs of rubbing. Realign if necessary.
9. On occasion, give the air springs a hard spray with a garden hose in order to remove mud, sand, gravel or other abrasive debris.

TROUBLESHOOTING GUIDE

1. Leak test the air line connections, the threaded connection into the air spring, and all fittings in the control system.
2. Inspect the air lines to be sure none are pinched. Tie straps may be too tight. Loosen or replace the strap and replace leaking components.
3. Inspect the air line for holes and cracks. Replace as needed.
4. Look for a kink or fold in the air line. Reroute as needed.

If the preceding steps do not solve the problem, it is possibly caused by a failed air spring — either a factory defect or an operating problem. Call Air Lift at (800) 248-0892 for assistance.

FREQUENTLY ASKED QUESTIONS

Q. Will installing air springs increase the weight ratings of a vehicle?

No. Adding air springs will not change the weight ratings (GAWR, GCWR and/ or GVWR) of a vehicle. Exceeding the GVWR is dangerous and voids the Air Lift warranty.

Q. Is it necessary to keep air in the air springs at all times and how much pressure will they need?

For LoadLifter 5000 Ultimate, the recommended minimum air pressure is 5 PSI, but it can safely be run at zero air pressure.

Q. Is it necessary to add a compressor system to the air springs?

No. Air pressure can be adjusted with any type of compressor as long as it can produce sufficient pressure to service the springs. Even a bicycle tire pump can be used, but it's a lot of work.

Q. How long should air springs last?

If the air springs are properly installed and maintained they can last indefinitely.

Q. Will raising the vehicle on a hoist for service work damage the air springs?

No. The vehicle can be lifted on a hoist for short-term service work such as tire rotation or oil changes. However, if the vehicle will be on the hoist for a prolonged period of time, support the axle with jack stands in order to take the tension off of the air springs.

TUNING THE AIR PRESSURE

Pressure determination comes down to three things — level vehicle, ride comfort, and stability.

1. Level vehicle

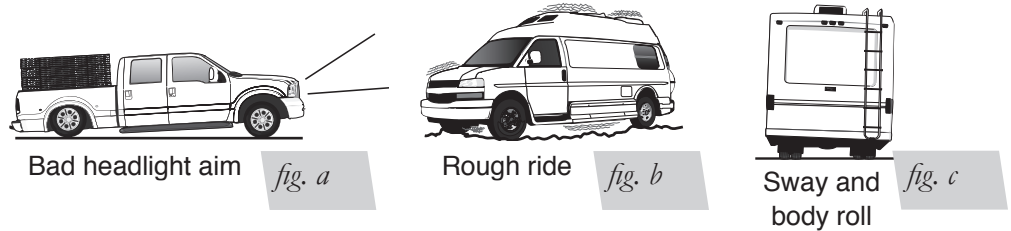
If the vehicle's headlights are shining into the trees or the vehicle is leaning to one side, then it is not level (fig. a). Raise the air pressure to correct either of these problems and level the vehicle.

2. Ride comfort

If the vehicle has a rough or harsh ride it may be due to either too much pressure or not enough (fig. b). Try different pressures to determine the best ride comfort.

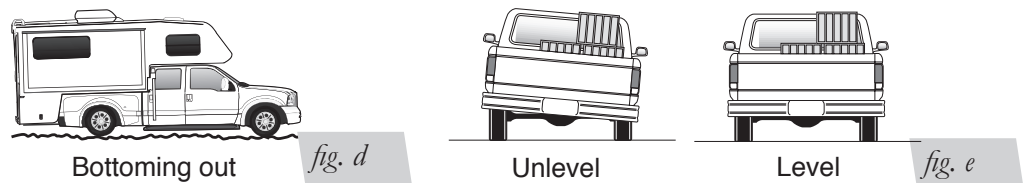
3. Stability

Stability translates into safety and should be the priority, meaning the driver may need to sacrifice a perfectly level and comfortable ride. Stability issues include roll control, bounce, dive during braking and sponginess (fig. c). Tuning out these problems usually requires an increase in pressure.



GUIDELINES FOR ADDING AIR

1. Start with the vehicle level or slightly above.
2. When in doubt, always add air.
3. If the front of the vehicle dives while braking, increase the pressure in the front air bags, if equipped.
4. If it is ever suspected that the air bags have bottomed out, increase the pressure (fig. d).
5. Adjust the pressure up and down to find the best ride.
6. If the vehicle rocks and rolls, adjust the air pressure to reduce movement.
7. It may be necessary to maintain different pressures on each side of the vehicle. Loads such as water, fuel, and appliances will cause the vehicle to be heavier on one side (fig. e). As much as a 50 PSI difference is not uncommon.



Choosing the Right On-Board Air Compressor System

60 DAY NO QUESTIONS ASKED, MONEY-BACK GUARANTEE

TWO-YEAR COMPRESSOR SYSTEM WARRANTY

Add an on-board air compressor system to inflate and deflate your air springs automatically or with the touch of a button — from inside or outside of the vehicle.

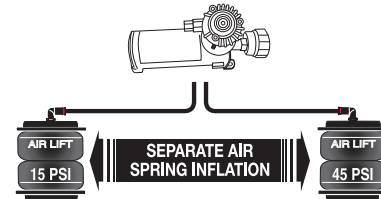
- For convenient, on-the-go control of your air springs, add an Air Lift on-board air compressor system.
- Air Lift on-board air compressor systems eliminate the search for gas stations that have a working compressor, saving you time, energy and money.
- All systems include a compressor, controller and all parts needed for easy installation.

1. Choose single or dual path inflation (see illustrations at right)
2. Choose wireless, analog control or automatic

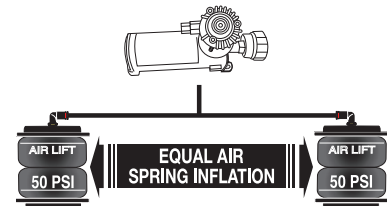
- **Wireless:** Control your air springs from inside or outside the vehicle. Easiest installation — no wires to the cab.
- **Analog:** In-cab control of your air springs. Economically priced.
- **Automatic:** Self-leveling system, keeps the vehicle level no matter what.

3. Choose heavy or standard duty compressor

- **Standard duty:** A standard duty compressor will work well for most customers who use their system on an intermittent basis.
- **Heavy duty:** For daily use, consider the heavy-duty compressor — it inflates faster and more quietly than the standard compressor.



Dual path systems Air springs are controlled separately to allow for different air pressure from side-to-side. Perfect for uneven or top-heavy loads.



Single path systems Two springs will inflate at the same time. Good for loads that are evenly distributed from left-to-right or front-to-back.

Visit www.airliftcompany.com for more detailed info on compressor systems.

WIRELESS

ANALOG

AUTOMATIC

WirelessAIR™

OUR PREMIUM SYSTEM!

- Easy installation
- Includes heavy-duty compressor



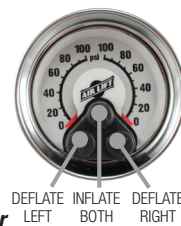
P/N 72000

LoadCONTROLLER™

Dual

Compact, economically priced control.

P/N Standard Duty Compressor 25850; P/N Heavy Duty Compressor 25854



WirelessONE™

- Easy installation
- Includes standard-duty compressor



LoadCONTROLLER™

Single

Compact, economically priced control.



SmartAIR™ II

- Easy installation
- Automatic self-leveling system
- No in-cab controls required





Notes

Replacement Information

If replacement parts are needed, contact the local dealer or call Air Lift customer service at (800) 248-0892. Most parts are immediately available and can be shipped the same day.

Contact Air Lift Company customer service at (800) 248-0892, first if:

- Parts are missing from the kit.
- Need technical assistance on installation or operation.
- Broken or defective parts in the kit.
- Wrong parts in the kit.
- Have a warranty claim or question.

Contact the retailer where the kit was purchased:

- If it is necessary to return or exchange the kit for any reason.
- If there is a problem with shipping if shipped from the retailer.
- If there is a problem with the price.

Contact Information

Contact Air Lift's customer service department by calling (800) 248-0892, Monday through Friday. For calls from outside the USA or Canada, our local number is (517) 322-2144.

For inquiries by mail, the address is P.O. Box 80167, Lansing, MI 48908-0167. The shipping address for returns is 2727 Snow Road, Lansing, MI 48917.

Contact Air Lift any time by email at sales@airliftcompany.com or at www.airliftcompany.com.



Warranty and Returns Policy

Air Lift Company warrants its products, for the time periods listed below, to the original retail purchaser against manufacturing defects when used on catalog-listed applications on cars, vans, light trucks and motorhomes under normal operating conditions for as long as Air Lift manufactures the product. The warranty does not apply to products that have been improperly applied, improperly installed, used in racing or off-road applications, used for commercial purposes, or which have not been maintained in accordance with installation instructions furnished with all products. The consumer will be responsible for removing (labor charges) the defective product from the vehicle and returning it, transportation costs prepaid, to the dealer from which it was purchased or to Air Lift Company for verification.

Air Lift will repair or replace, at its option, defective products or components. A minimum \$10.00 shipping and handling charge will apply to all warranty claims. Before returning any defective product, you must call Air Lift at (800) 248-0892 in the U.S. and Canada (elsewhere, (517) 322-2144) for a Returned Materials Authorization (RMA) number. Returns to Air Lift can be sent to: Air Lift Company • 2727 Snow Road • Lansing, MI • 48917.

Product failures resulting from abnormal use or misuse are excluded from this warranty. The loss of use of the product, loss of time, inconvenience, commercial loss or consequential damages is not covered. The consumer is responsible for installation/ reinstallation (labor charges) of the product. Air Lift Company reserves the right to change the design of any product without assuming any obligation to modify any product previously manufactured.

This warranty gives you specific legal rights and you may also have other rights that vary from state-to-state. Some states do not allow limitations on how long an implied warranty lasts or allow the exclusion or limitation of incidental or consequential damages. The above limitation or exclusion may not apply to you. There are no warranties, expressed or implied including any implied warranties of merchantability and fitness, which extend beyond this warranty period. There are no warranties that extend beyond the description on the face hereof. Seller disclaims the implied warranty of merchantability. (Dated proof of purchase required.

Air Lift 1000™	Lifetime Limited	LoadController/Dual™	2-Year Limited
RideControl™	Lifetime Limited	Load Controller™ (I)	2-Year Limited
LoadLifter 5000™*	Lifetime Limited	Load Controller™ (II)	2-Year Limited
LoadLifter 5000™ Ultimate ...	Lifetime Limited	SmartAir™ II	2-Year Limited
SlamAir™	Lifetime Limited	WirelessAIR™	2-Year Limited
AirCell™	Lifetime Limited	WirelessONE™	2-Year Limited
Air Lift Performance™**	1-Year Limited	Other Accessories	2-Year Limited
LoadController/Single™	2-Year Limited		

**formerly SuperDuty*

***formerly LifeSTYLE & Performance, EasyStreet*

Need Help?

Contact our customer service department by calling (800) 248-0892, Monday through Friday. For calls from outside the USA or Canada, dial (517) 322-2144.

**Register your warranty online at
www.airliftcompany.com/warranty**



Thank you for purchasing Air Lift products — the professional installer's choice!

Air Lift Company • 2727 Snow Road • Lansing, MI 48917 or P.O. Box 80167 • Lansing, MI 48908-0167
Toll Free (800) 248-0892 • Local (517) 322-2144 • Fax (517) 322-0240 • www.airliftcompany.com

Printed in
the USA