



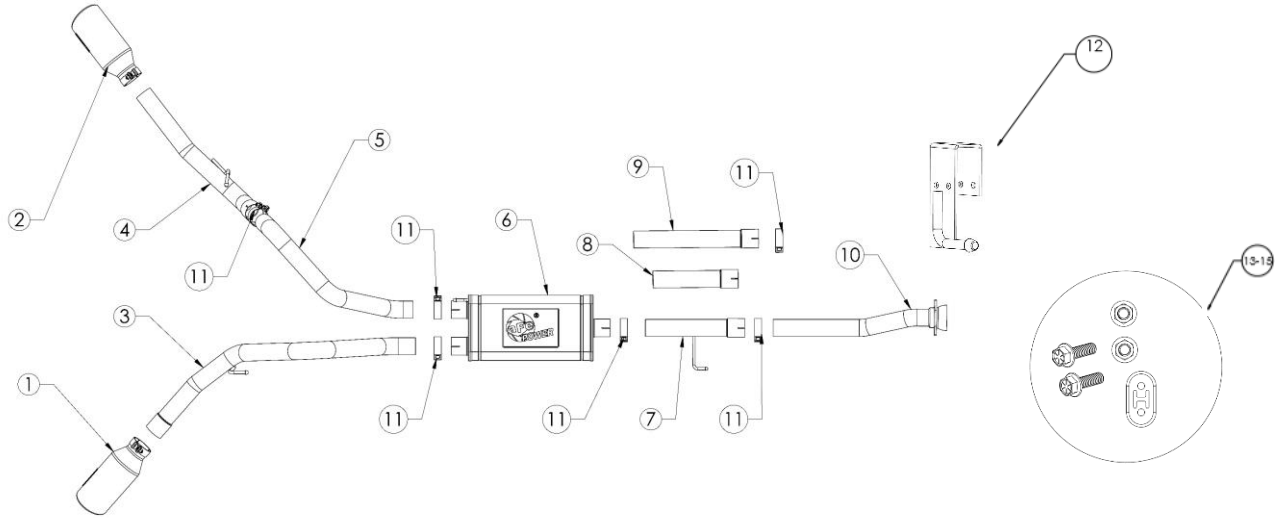
INSTALLATION INSTRUCTIONS

Cat-Back Exhaust

MAKE: Ford
MODEL: F-150
YEAR: 2021
ENGINE: V6-2.7L(tt)/3.5L(tt)/V8-5.0L

49-33126-B
 49-33126-P

NOTE: Fits CC/SB (145" WB), CC/LB (156.8" WB), EC/SB (145" WB), and EC/LB (163.7" WB)



Item	Description	Part Number	Quantity
1	EXH Tip 3-1/2 In x 4-1/2 Out x 12L Blk	49T35451-B12	1
1	EXH Tip 3-1/2 In x 4-1/2 Out x 12L Pol	49T35451-P12	1
2	EXH Tip 3-1/2 In x 4-1/2 Out x 12L Blk	49T35452-B12	1
2	EXH Tip 3-1/2 In x 4-1/2 Out x 12L Pol	49T35452-P12	1
3	S/A Tube, Right Tail-Pipe: 3" Dia. x 61"L	05-245085	1
4	S/A Tube, Left Tail-Pipe	05-245087	1
5	S/A Tube, Left Over-Axle	05-245086	1
6	S/A Muffler Assembly: 3" Dia.	05-245084	1
7	S/A Mid-Pipe	05-245116	1
8	Extension Tube #1	05-245082	1
9	Extension Tube #2	05-245083	1
10	S/A Front Pipe	05-245118	1
11	Clamp, Band: 3"	05-41055	6
12	Tail-Pipe Bracket	05-46143	1
13	Screw, 5/16"-18 Thread x 3-1/4" Long	03-50461	2
14	Nut, Hex Flange, 5/16"-18	03-50373	2
15	Exhaust Isolation Mount	05-46050	1

aFe POWER recommends professional installation on this product. Thoroughly inspect the aFe POWER exhaust system to make sure there is no damage from shipping (if damage is noted, immediately contact aFe POWER customer service). Allow time for your vehicle to cool down prior to installation. When working on your vehicle proceed with caution. Wear protective safety equipment; eye goggles and gloves to ensure a safe installation.

Install band clamps to proper torque specifications of 40-45 ft-lb.





INSTALLATION INSTRUCTIONS

Cat-Back Exhaust

MAKE: Ford
MODEL: F-150
YEAR: 2021
ENGINE: V6-2.7L(tt)/3.5L(tt)/V8-5.0L

49-33126-B
49-33126-P

NOTE: Fits CC/SB (145" WB), CC/LB (156.8" WB), EC/SB (145" WB), and EC/LB (163.7" WB)

1. **(Read instructions prior to installation.)** It is recommended to not fully tighten the exhaust until it has been fully installed. Leave loose for adjustability.
2. Secure vehicle on jack stands (refer to your manual for specified jack stand positions).
3. For faster installation, spread out the parts of the exhaust alongside your vehicle as shown in the diagram above.
4. Secure the stock exhaust with jack/stands. Remove the O.E. Exhaust up to the flange joint at the Y-pipe.

Note: Use table for guide on extension pipes

Cab Configuration	Bed Configuration	Wheelbase	Extension Pipe?
Crew Cab	Short Bed	145"	NO
Crew Cab	Long Bed	156.8"	YES (15" Extension Pipe)
Extended Cab	Short Bed	145"	NO
Extended Cab	Long Bed	163.7"	YES (22" Extension Pipe)

5. Install the front pipe, mid-pipe assembly, and extension tube (if necessary) onto the muffler assembly.
6. Slide the rear hanger of the muffler assembly into the isolation mount and push all the way back until you have the clearance to slide the assembly into place.
7. Using the O.E. flange bolts and nuts, connect the flanges together and do not fully tighten.
8. Install the right passenger side tail-pipe first, but do not fully tighten.
9. Next install the left driver side over-axle, but do not fully tighten.

10. Install the hanger bracket included with the kit. As Shown in **FIG 2**. Fully tighten the hanger bracket to the frame using the correct hardware provided.



11. Install the left driver side tail-pipe, but do not fully tighten.
12. Install both tips onto the tail-pipes and adjust the tips to the desired location and orientation.
13. Ensure that all the components of the aFe POWER exhaust system are aligned and are at a safe clearance from all wires, hoses, brake lines, body parts, and tires.
14. Start from the front of the aFe POWER exhaust system and evenly tighten all clamps and fasteners.
15. Start the vehicle and check for any leaks. If any leaks are found, determine cause and repair as necessary.
16. Remove vehicle from jacks stands.
17. It is recommended to re-tighten all clamps and hardware after 50-100 miles.